

# TOPSPAN

---

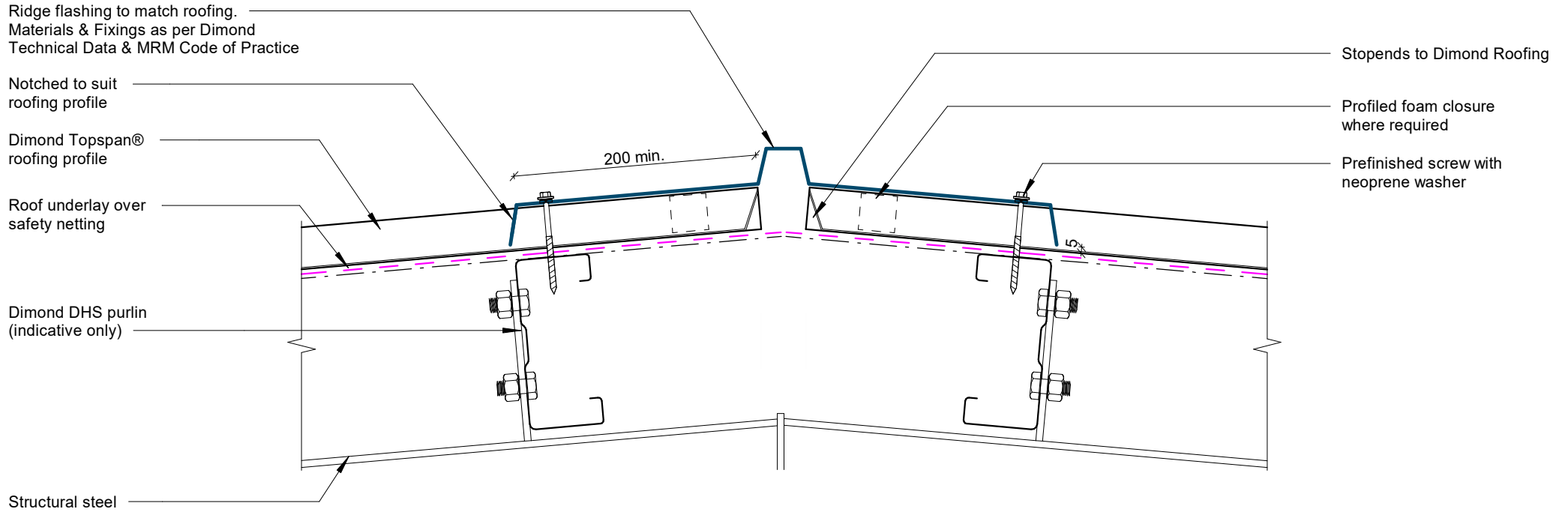
## COMMERCIAL ROOFING

### DETAILS:

### REV:

### DATE:

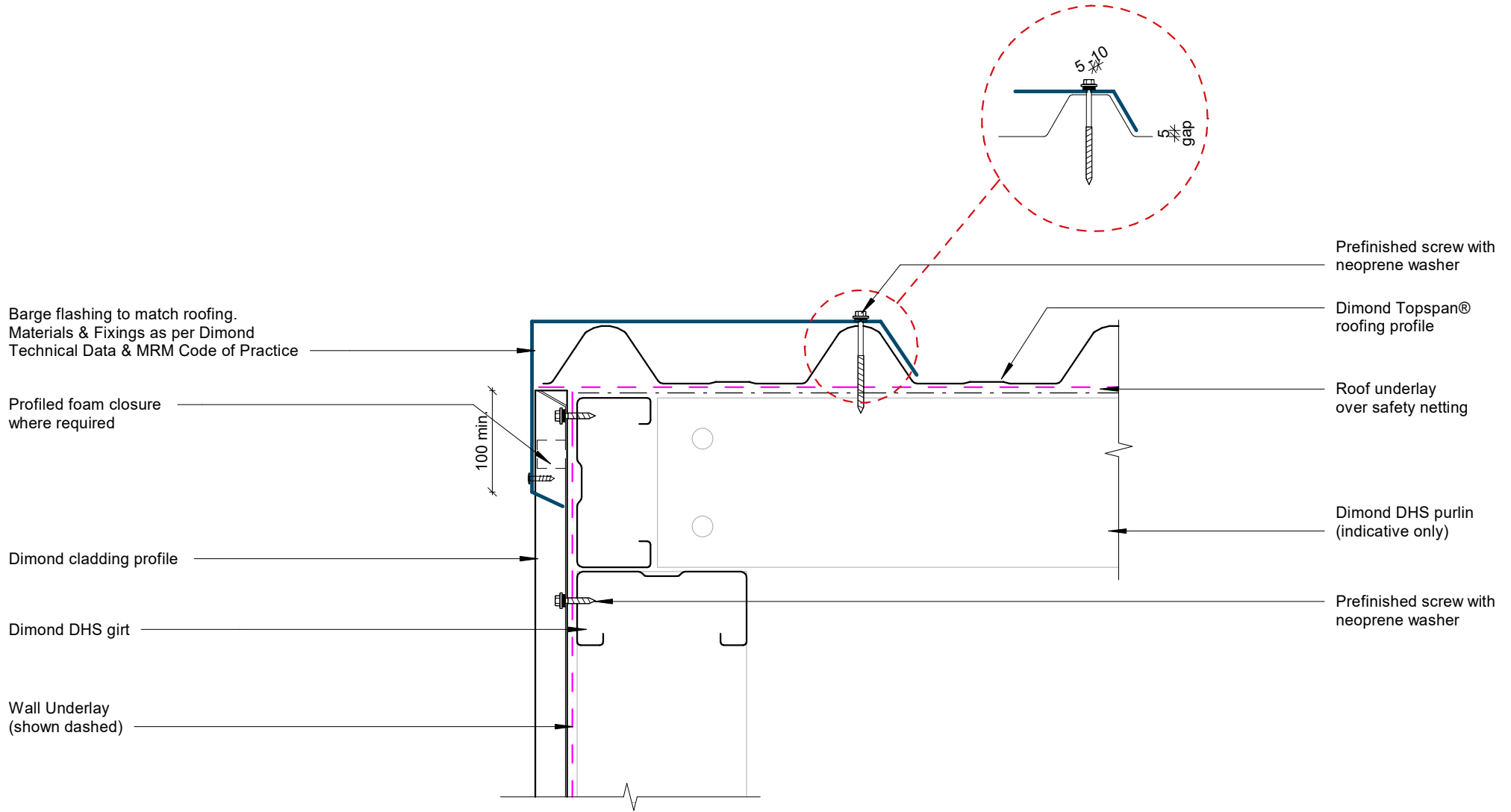
TSCR0	Cover Sheet	1	Oct 2025
TSCR1	Ridge Detail	1	Oct 2025
TSCR2	Barge Detail	1	Oct 2025
TSCR3	Roof Step Detail	1	Oct 2025
TSCR4	Roof Wall Apex Detail	1	Oct 2025
TSCR5	Parapet Detail	1	Oct 2025
TSCR6	Apron Parallel Detail	1	Oct 2025
TSCR7	Apron Transverse Detail	1	Oct 2025
TSCR8	Eave - Box Gutter Detail	1	Oct 2025
TSCR9	Pipe Penetration Direct Fix Detail	1	Oct 2025
TSCR10	Pipe Penetration Back Tray Detail	1	Oct 2025
TSCR11	Large Penetration Detail	1	Oct 2025



**GENERAL NOTE**

Foam closure strip only required if bird or vermin proofing is required, or if in a high wind area, there is a risk of windblown moisture entering the building. Leave foam out if ventilation is required.

# Ridge Detail

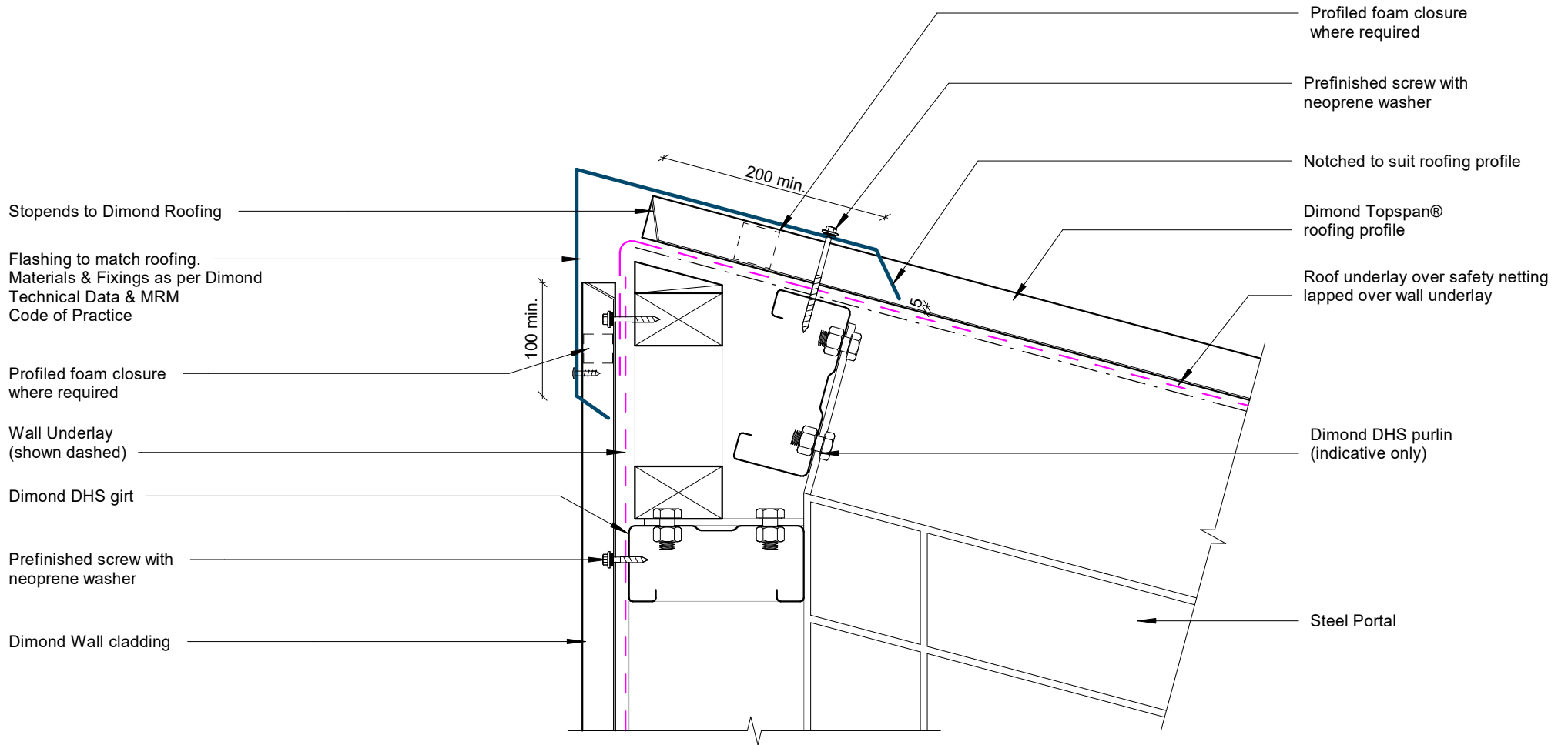


**GENERAL NOTE**

Foam closure strip only required if bird or vermin proofing is required, or if in a high wind area, there is a risk of windblown moisture entering the building. Leave foam out if ventilation is required.

# Barge Detail





**GENERAL NOTE**

Foam closure strip only required if bird or vermin proofing is required, or if in a high wind area, there is a risk of windblown moisture entering the building. Leave foam out if ventilation is required.

# Roof Wall Apex Detail

Rev: 1 **Topspan Commercial Roofing**



©Dimond 2023, all rights reserved. The information and specifications contained in this document are proprietary to Dimond and may not be used other than for the purpose of designing or building a roof or roofing system solely using products supplied or approved by Dimond ("Permitted Purpose"). You may copy this document solely for the Permitted Purpose, but may not otherwise copy, publish, distribute or modify this document without Dimond's prior written consent. Dimond will not be liable for any use of this document or information and specifications contained in this document, other than for the Permitted Purpose

Date: Oct 2025 Scale: 1 : 5 Sheet: **TSCR4**

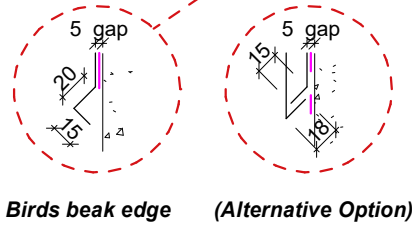
Parapet cap flashing to match roofing.  
Materials & Fixings as per Dimond  
Technical Data & MRM  
Code of Practice

Prefinished screw with  
neoprene washer

Separation barrier with self adhesive  
tape or similar around concrete wall

Fix capping to concrete with  
6.5mm x 20mm metal pin  
anchors @1000mm crs.

Stoppers to Dimond Roofing



Min 5°

100 min.

200 min.

H3.1 timber capping  
support on DPC

Profiled foam closure  
where required

Prefinished screw with  
neoprene washer

Apron flashing to match roofing.  
Materials & Fixings as per Dimond  
Technical Data & MRM  
Code of Practice

Notched to suit roofing profile

Roof underlay over safety netting  
lapped behind flashing

Dimond Topspan®  
roofing profile

Dimond DHS purlin  
(indicative only)

**GENERAL NOTE**

Foam closure strip only required if bird or vermin proofing is required, or if in a high wind area, there is a risk of windblown moisture entering the building. Leave foam out if ventilation is required.

# Parapet Detail

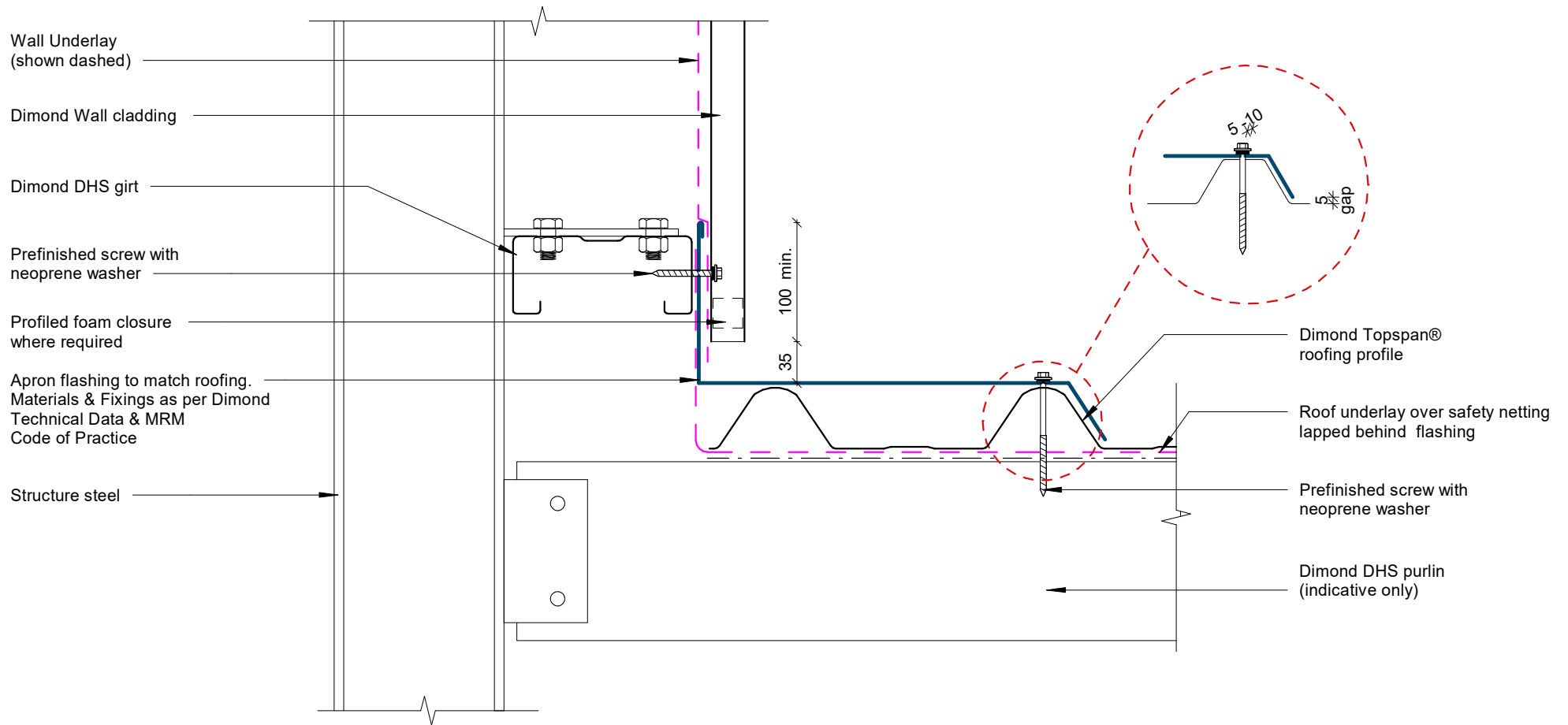


©Dimond 2023, all rights reserved. The information and specifications contained in this document are proprietary to Dimond and may not be used other than for the purpose of designing or building a roof or roofing system solely using products supplied or approved by Dimond ("Permitted Purpose"). You may copy this document solely for the Permitted Purpose, but may not otherwise copy, publish, distribute or modify this document without Dimond's prior written consent. Dimond will not be liable for any use of this document or information and specifications contained in this document, other than for the Permitted Purpose

Rev: 1

Topspan Commercial Roofing

Date: Oct 2025 Scale: 1 : 5 Sheet: TSCR5

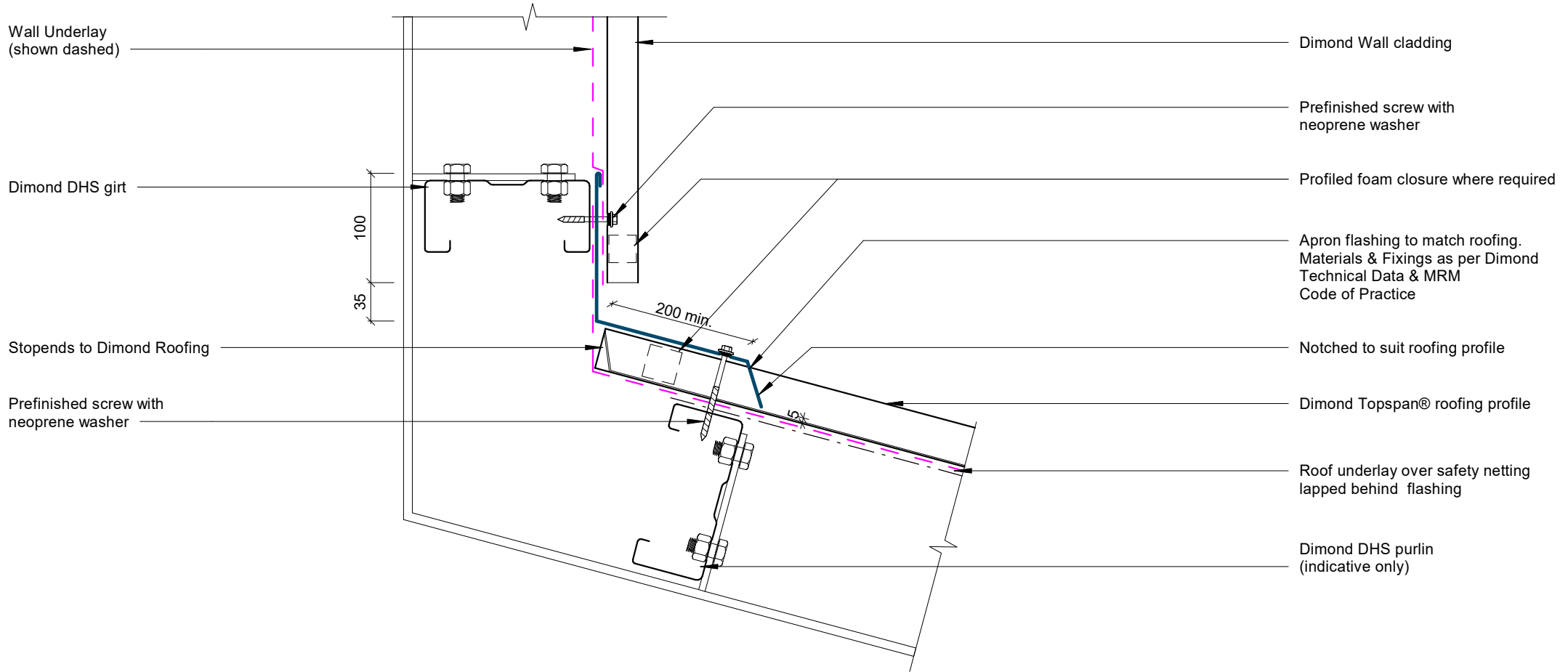


**GENERAL NOTE**

Foam closure strip only required if bird or vermin proofing is required, or if in a high wind area, there is a risk of windblown moisture entering the building. Leave foam out if ventilation is required.

## Apron Parallel Detail

Rev: 1 Topspan Commercial Roofing



**GENERAL NOTE**

Foam closure strip only required if bird or vermin proofing is required, or if in a high wind area, there is a risk of windblown moisture entering the building. Leave foam out if ventilation is required.

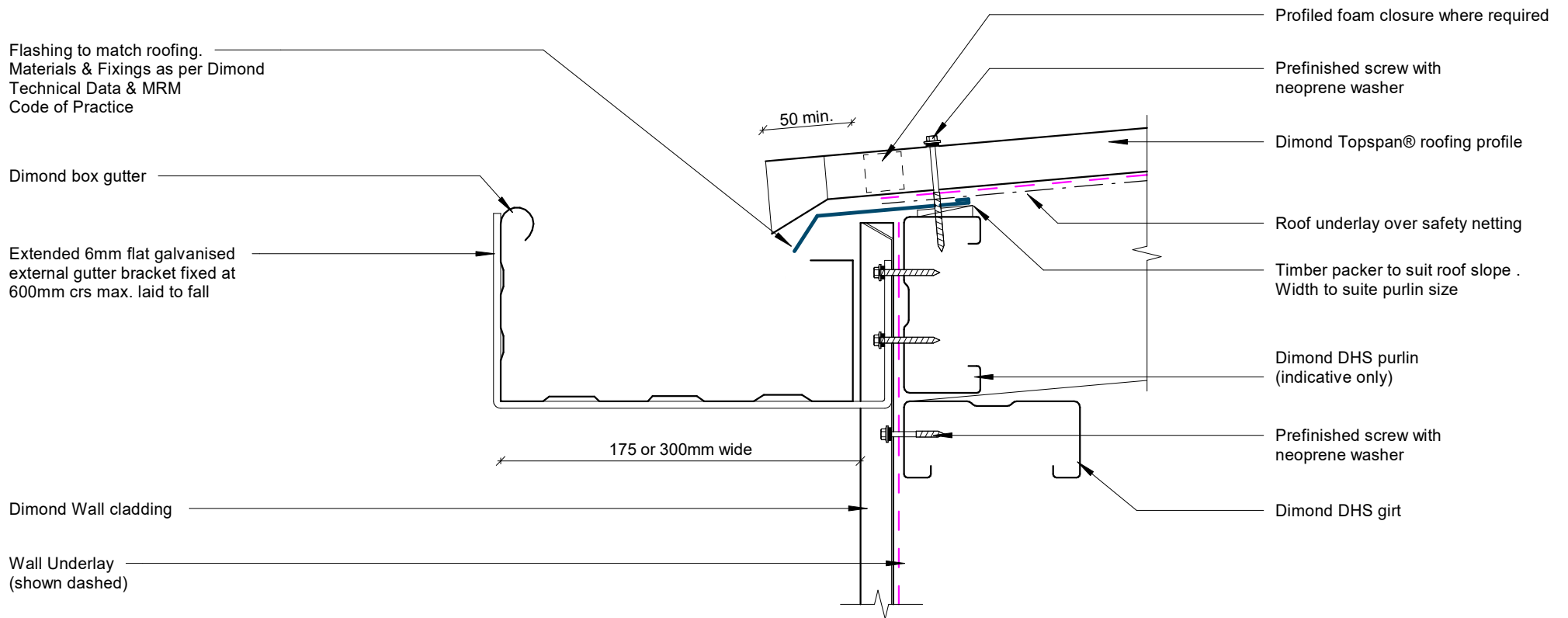
# Apron Transverse Detail

Rev: 1 **Topspan Commercial Roofing**



©Dimond 2023, all rights reserved. The information and specifications contained in this document are proprietary to Dimond and may not be used other than for the purpose of designing or building a roof or roofing system solely using products supplied or approved by Dimond ("Permitted Purpose"). You may copy this document solely for the Permitted Purpose, but may not otherwise copy, publish, distribute or modify this document without Dimond's prior written consent. Dimond will not be liable for any use of this document or information and specifications contained in this document, other than for the Permitted Purpose

Date: Oct 2025 Scale: 1 : 5 Sheet: **TSCR7**



**GENERAL NOTE**

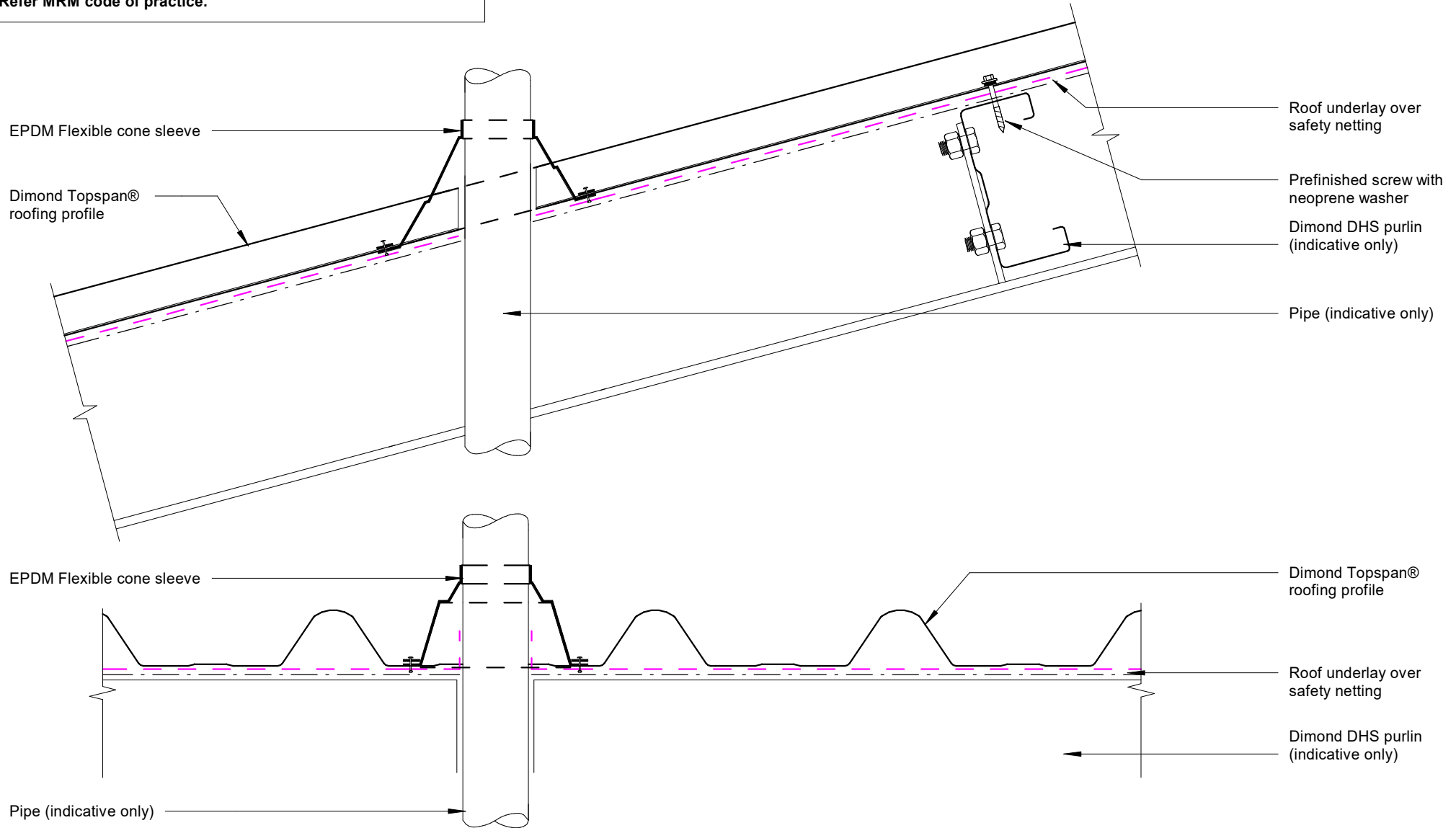
Foam closure strip only required if bird or vermin proofing is required, or if in a high wind area, there is a risk of windblown moisture entering the building. Leave foam out if ventilation is required.

## Eave - Box Gutter Detail

Rev: 1

Topspan Commercial Roofing

**Note:**  
 Min 10° for pipe penetration direct fix boot flashing is applicable for when less than 50% blockage occurs.  
 When exceeding 50% blockage, refer to back tray boot flashing.  
 Refer MRM code of practice.



## Pipe Penetration Direct Fix Detail

Rev: 1

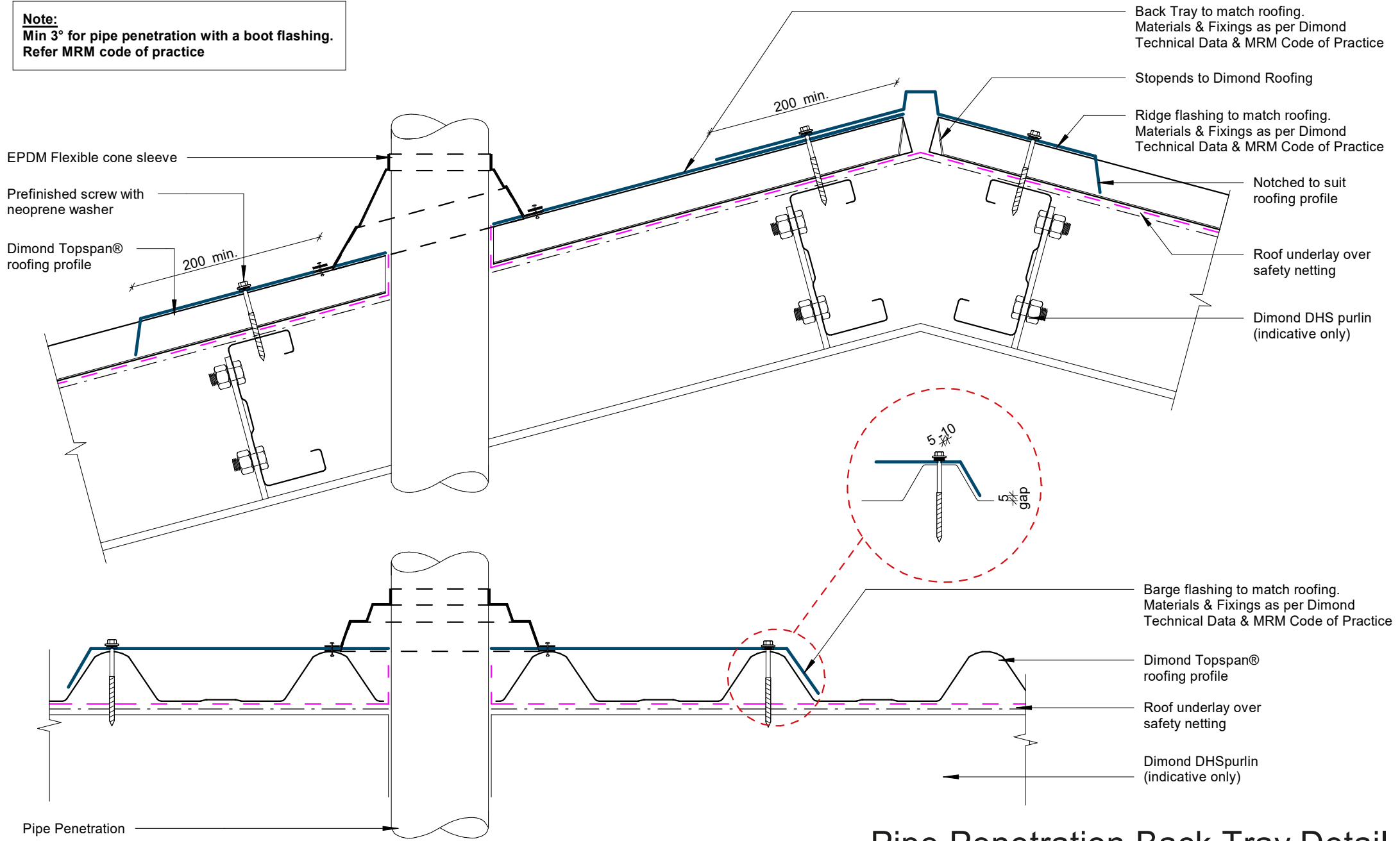
Topspan Commercial Roofing



©Dimond 2023, all rights reserved. The information and specifications contained in this document are proprietary to Dimond and may not be used other than for the purpose of designing or building a roof or roofing system solely using products supplied or approved by Dimond ("Permitted Purpose"). You may copy this document solely for the Permitted Purpose, but may not otherwise copy, publish, distribute or modify this document without Dimond's prior written consent. Dimond will not be liable for any use of this document or information and specifications contained in this document, other than for the Permitted Purpose

Date: Oct 2025 Scale: 1 : 5 Sheet: TSCR9

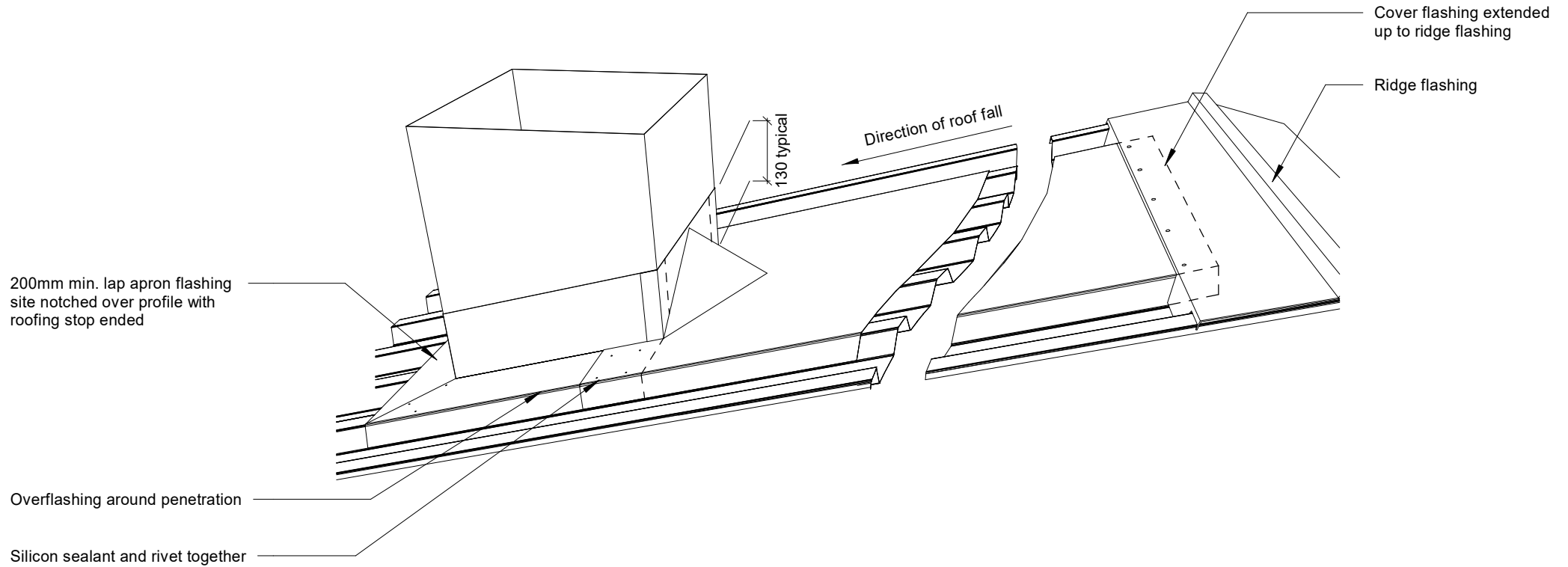
**Note:**  
 Min 3° for pipe penetration with a boot flashing.  
 Refer MRM code of practice



## Pipe Penetration Back Tray Detail

Rev: 1

Topspan Commercial Roofing



## Large Penetration Detail

Rev: 1

Topspan Commercial Roofing