

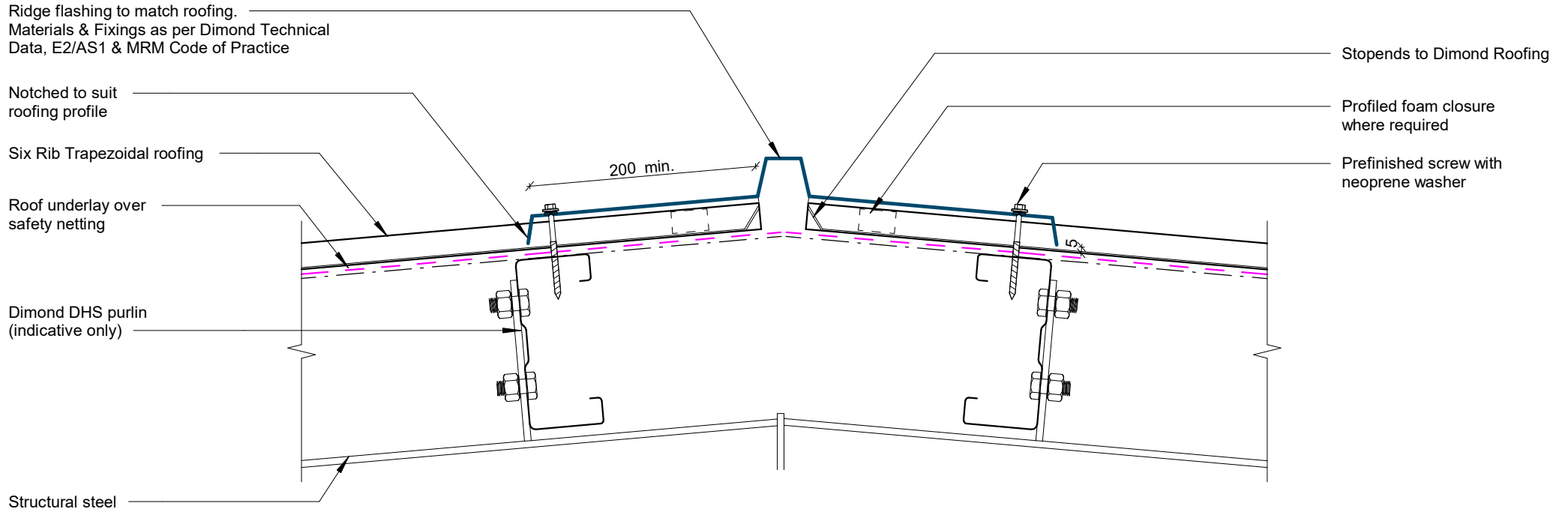
SIX RIB

COMMERCIAL ROOFING

DETAILS:

REV: DATE:

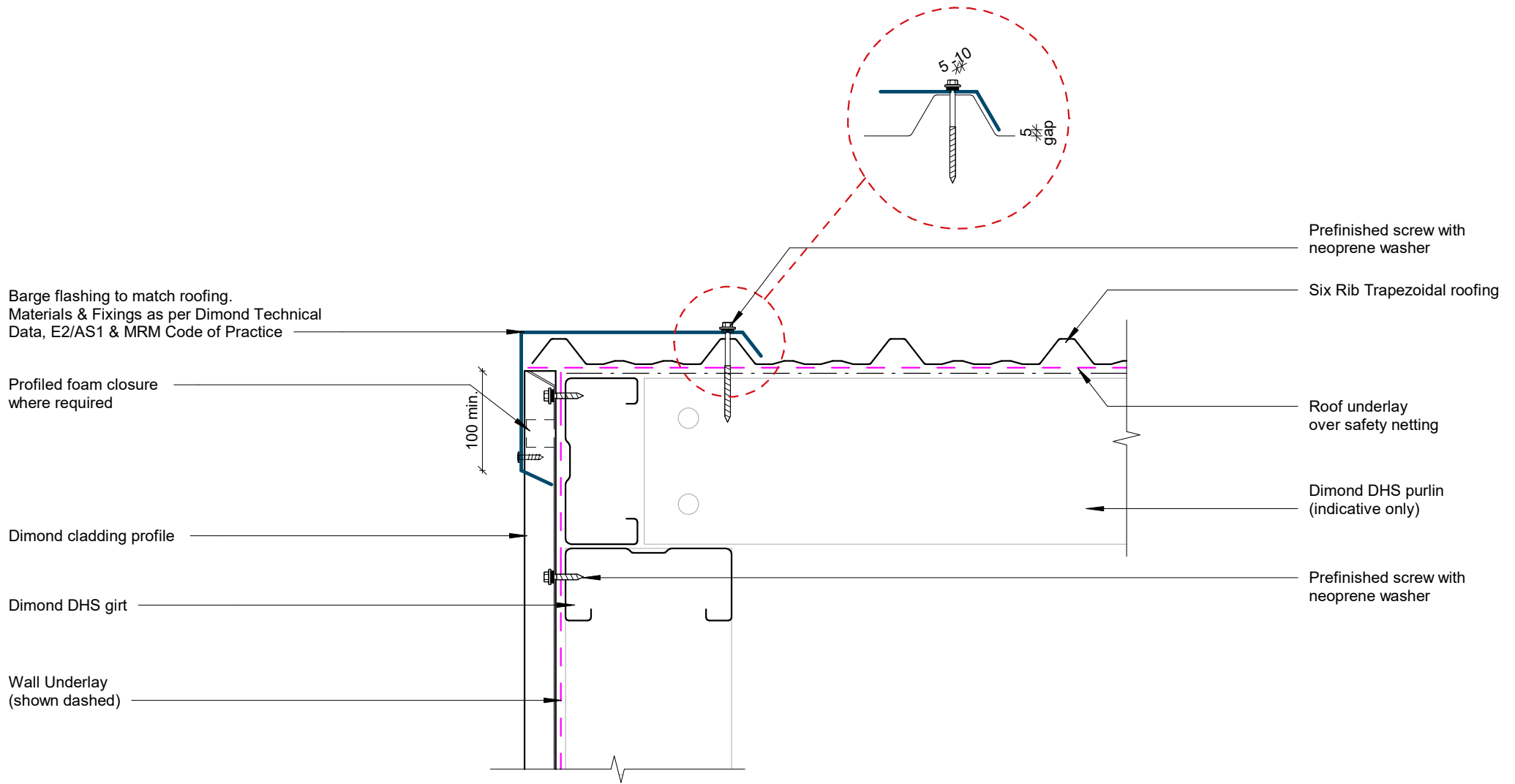
6RCR0	Cover Sheet	1	Sep 2025
6RCR1	Ridge Detail	1	Sep 2025
6RCR2	Barge Detail	1	Sep 2025
6RCR3	Roof Step Detail	1	Sep 2025
6RCR4	Roof Wall Apex Detail	1	Sep 2025
6RCR5	Parapet Detail	1	Sep 2025
6RCR6	Apron Parallel Detail	1	Sep 2025
6RCR7	Apron Transverse Detail	1	Sep 2025
6RCR8	Eave - Box Gutter Detail	1	Sep 2025
6RCR9	Pipe Penetration Direct Fix Detail	1	Sep 2025
6RCR10	Pipe Penetration Back Tray Detail	1	Sep 2025
6RCR11	Large Penetration Detail	1	Sep 2025



GENERAL NOTE

Foam closure strip only required if bird or vermin proofing is required, or if in a high wind area, there is a risk of windblown moisture entering the building. Leave foam out if ventilation is required.

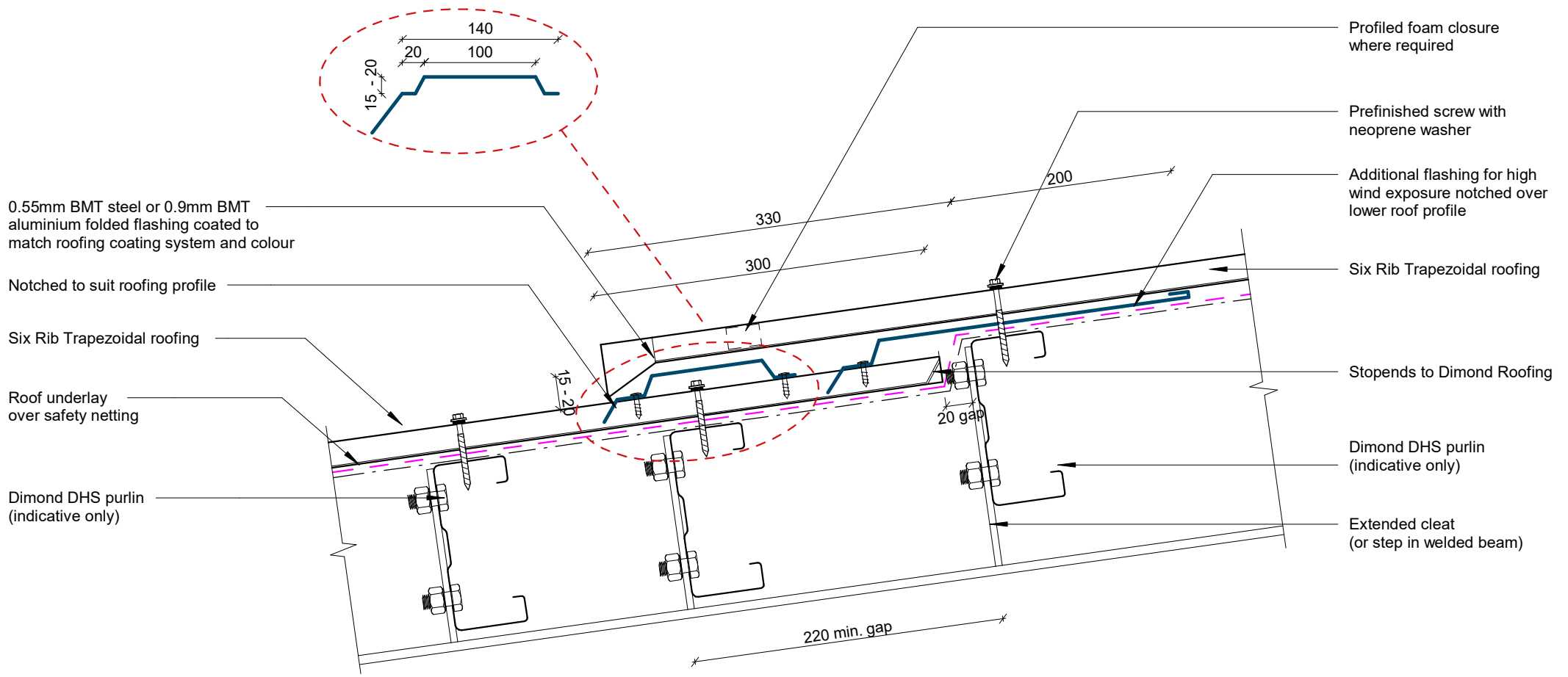
Ridge Detail



GENERAL NOTE

Foam closure strip only required if bird or vermin proofing is required, or if in a high wind area, there is a risk of windblown moisture entering the building. Leave foam out if ventilation is required.

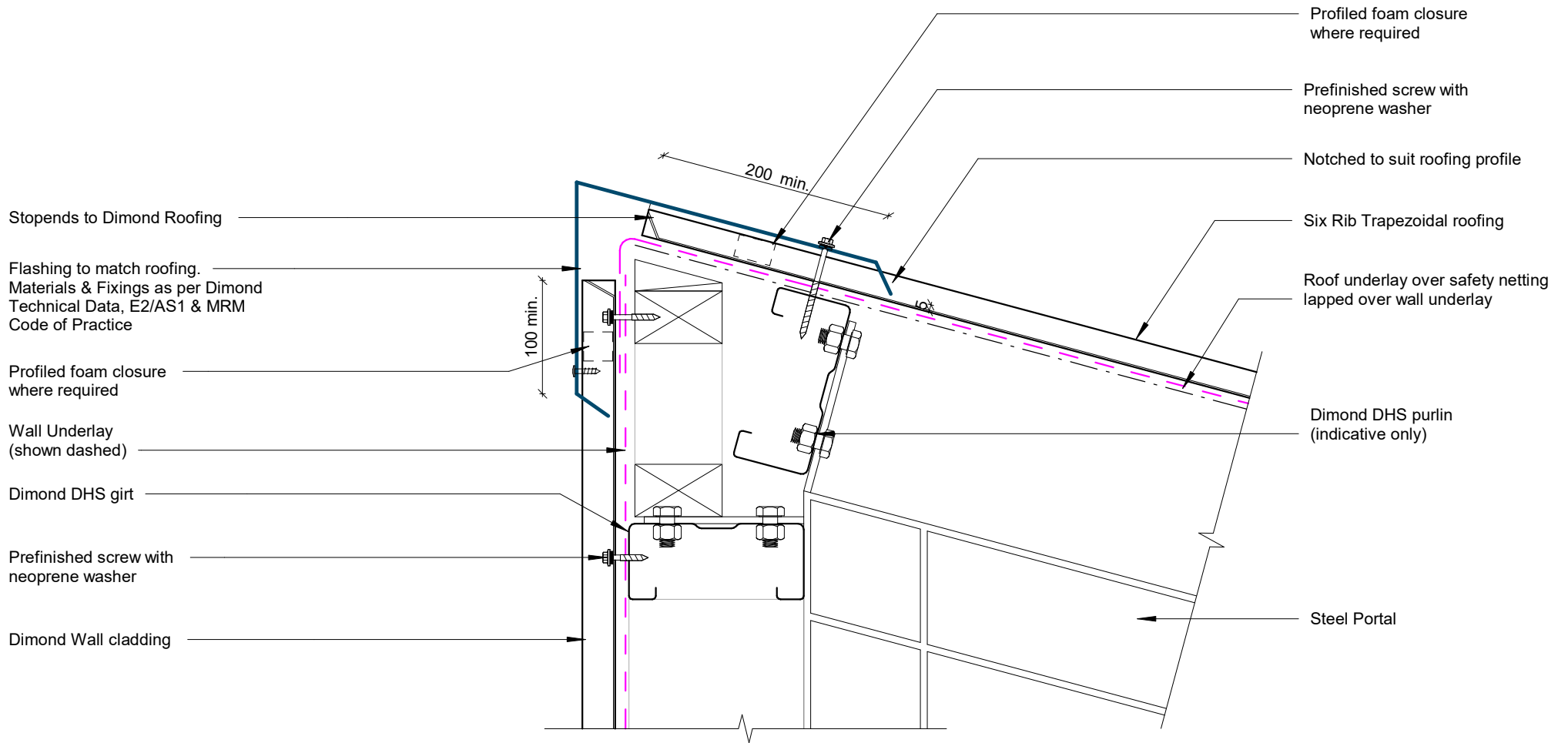
Barge Detail



GENERAL NOTE

Foam closure strip only required if bird or vermin proofing is required, or if in a high wind area, there is a risk of windblown moisture entering the building. Leave foam out if ventilation is required.

Roof Step Detail



GENERAL NOTE

Foam closure strip only required if bird or vermin proofing is required, or if in a high wind area, there is a risk of windblown moisture entering the building. Leave foam out if ventilation is required.

Roof Wall Apex Detail

Rev: 1

Six Rib Commercial Roofing



©Dimond 2023, all rights reserved. The information and specifications contained in this document are proprietary to Dimond and may not be used other than for the purpose of designing or building a roof or roofing system solely using products supplied or approved by Dimond ("Permitted Purpose"). You may copy this document solely for the Permitted Purpose, but may not otherwise copy, publish, distribute or modify this document without Dimond's prior written consent. Dimond will not be liable for any use of this document or information and specifications contained in this document, other than for the Permitted Purpose

Date: Sep 2025 Scale: 1 : 5 Sheet: 6RCR4

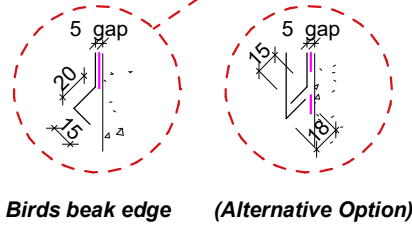
Parapet cap flashing to match roofing.
Materials & Fixings as per Dimond
Technical Data, E2/AS1 & MRM
Code of Practice

Prefinished screw with
neoprene washer

Separation barrier with self adhesive
tape or similar around concrete wall

Fix capping to concrete with
6.5mm x 20mm metal pin
anchors @1000mm crs.

Stoppers to Dimond Roofing



Min 5°

100 min.

200 min.

H3.1 timber capping
support on DPC

Profiled foam closure
where required

Prefinished screw with
neoprene washer

Apron flashing to match roofing.
Materials & Fixings as per Dimond
Technical Data, E2/AS1 & MRM
Code of Practice

Notched to suit roofing profile

Roof underlay over safety netting
lapped behind flashing

Six Rib Trapezoidal roofing

Dimond DHS purlin
(indicative only)

Steel Structure

GENERAL NOTE

Foam closure strip only required if bird or vermin proofing is required, or if in a high wind area, there is a risk of windblown moisture entering the building. Leave foam out if ventilation is required.

Parapet Detail

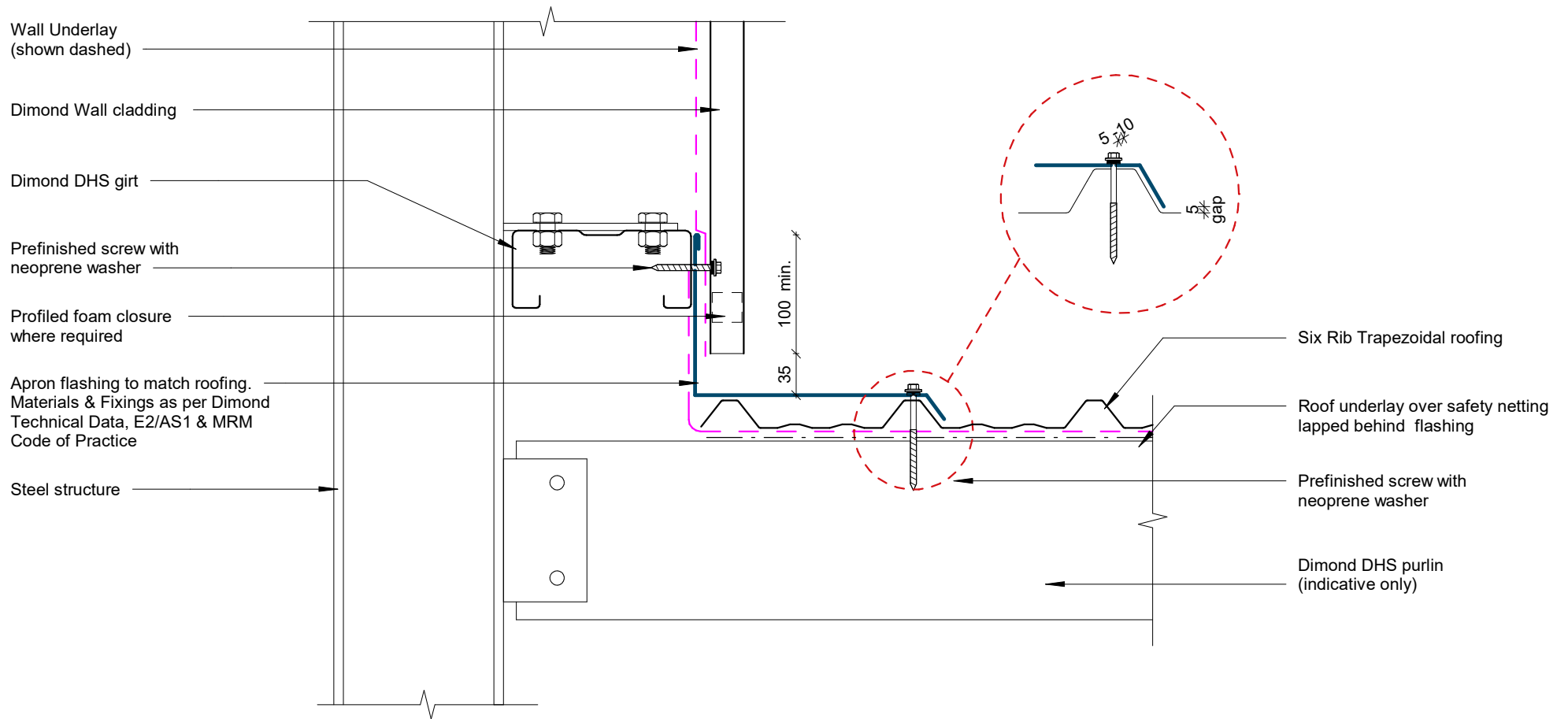


©Dimond 2023, all rights reserved. The information and specifications contained in this document are proprietary to Dimond and may not be used other than for the purpose of designing or building a roof or roofing system solely using products supplied or approved by Dimond ("Permitted Purpose"). You may copy this document solely for the Permitted Purpose, but may not otherwise copy, publish, distribute or modify this document without Dimond's prior written consent. Dimond will not be liable for any use of this document or information and specifications contained in this document, other than for the Permitted Purpose

Rev: 1

Six Rib Commercial Roofing

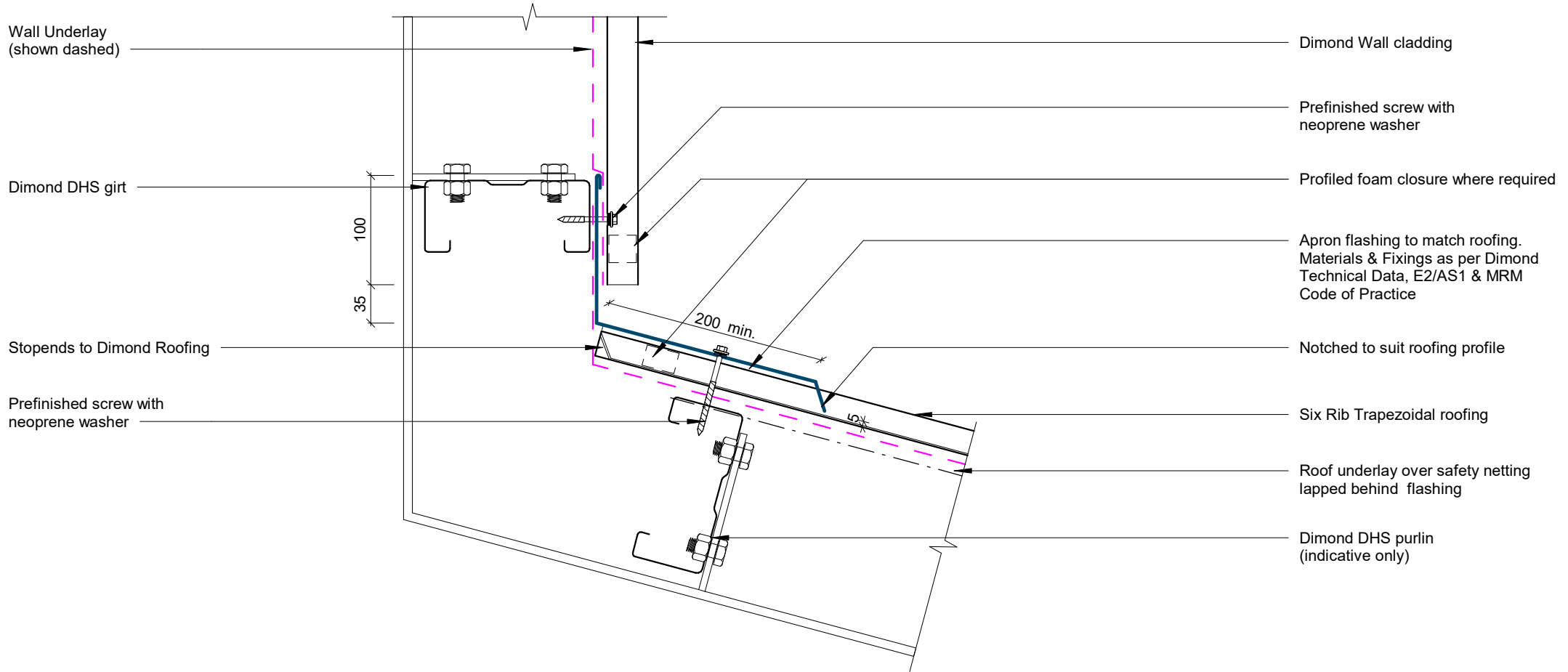
Date: Sep 2025 Scale: 1 : 5 Sheet: 6RCR5



GENERAL NOTE

Foam closure strip only required if bird or vermin proofing is required, or if in a high wind area, there is a risk of windblown moisture entering the building. Leave foam out if ventilation is required.

Apron Parallel Detail



GENERAL NOTE

Foam closure strip only required if bird or vermin proofing is required, or if in a high wind area, there is a risk of windblown moisture entering the building. Leave foam out if ventilation is required.

Apron Transverse Detail

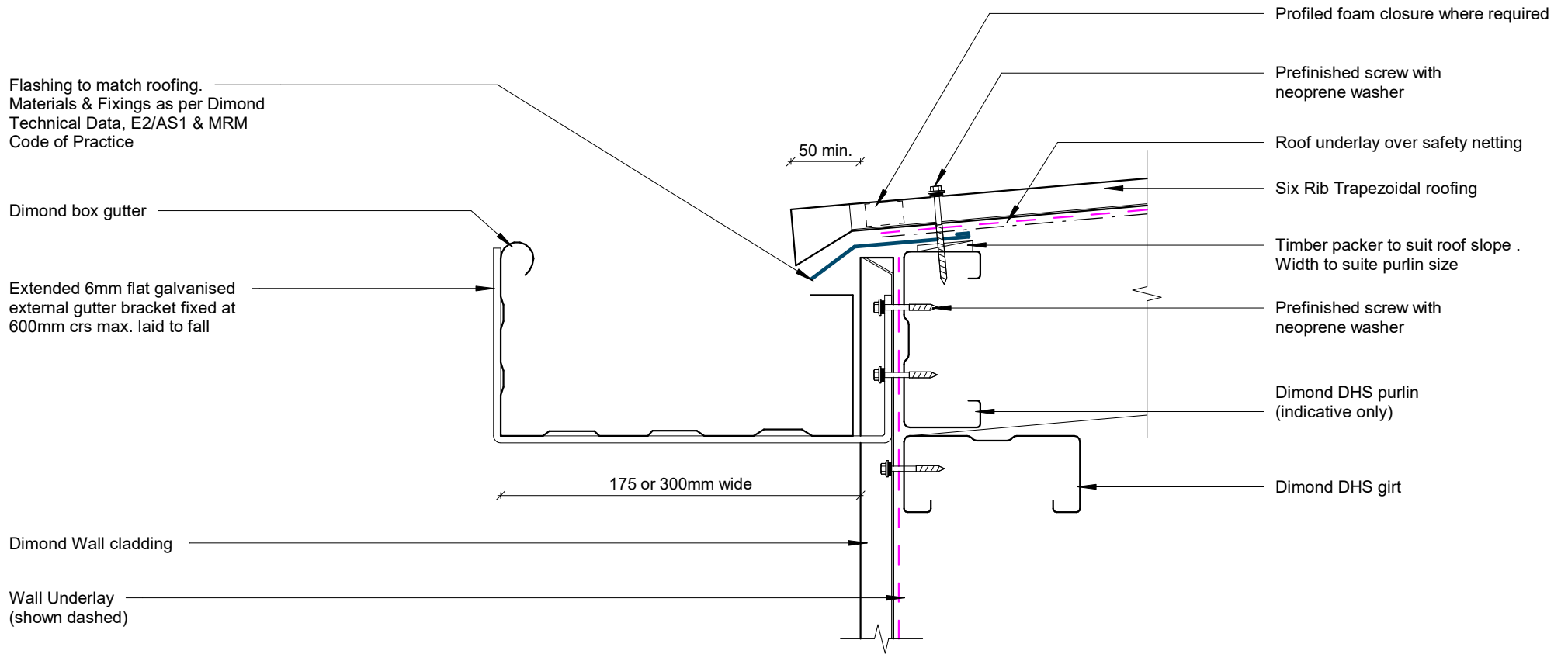
Rev: 1

Six Rib Commercial Roofing



©Dimond 2023, all rights reserved. The information and specifications contained in this document are proprietary to Dimond and may not be used other than for the purpose of designing or building a roof or roofing system solely using products supplied or approved by Dimond ("Permitted Purpose"). You may copy this document solely for the Permitted Purpose, but may not otherwise copy, publish, distribute or modify this document without Dimond's prior written consent. Dimond will not be liable for any use of this document or information and specifications contained in this document, other than for the Permitted Purpose

Date: Sep 2025 Scale: 1 : 5 Sheet: 6RCR7



GENERAL NOTE

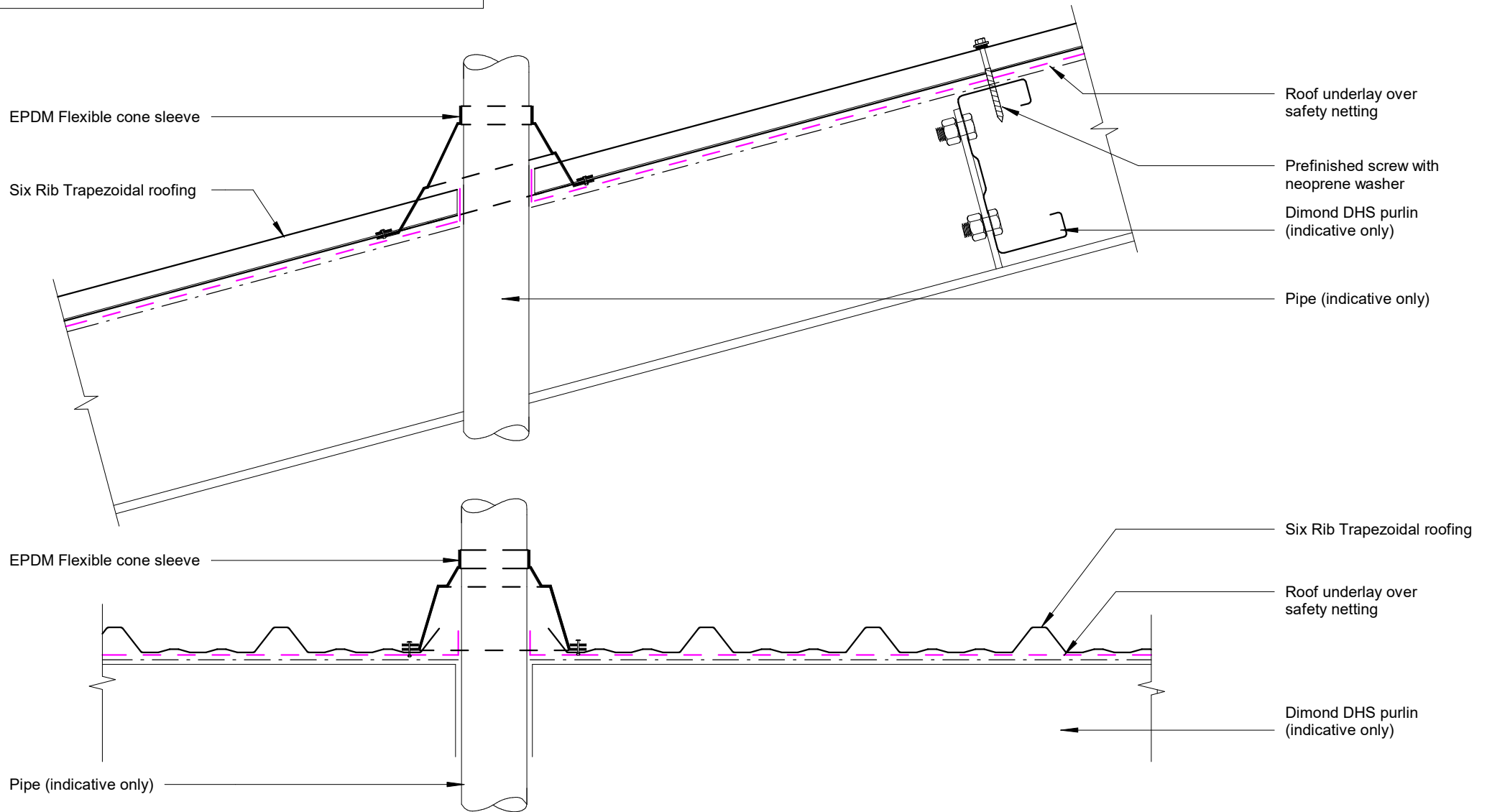
Foam closure strip only required if bird or vermin proofing is required, or if in a high wind area, there is a risk of windblown moisture entering the building. Leave foam out if ventilation is required.

Eave - Box Gutter Detail

Rev: 1

Six Rib Commercial Roofing

Note:
 Min 10° for pipe penetration direct fix boot flashing is applicable for when less than 50% blockage occurs.
 When exceeding 50% blockage, refer to back tray boot flashing.
 Refer MRM code of practice.

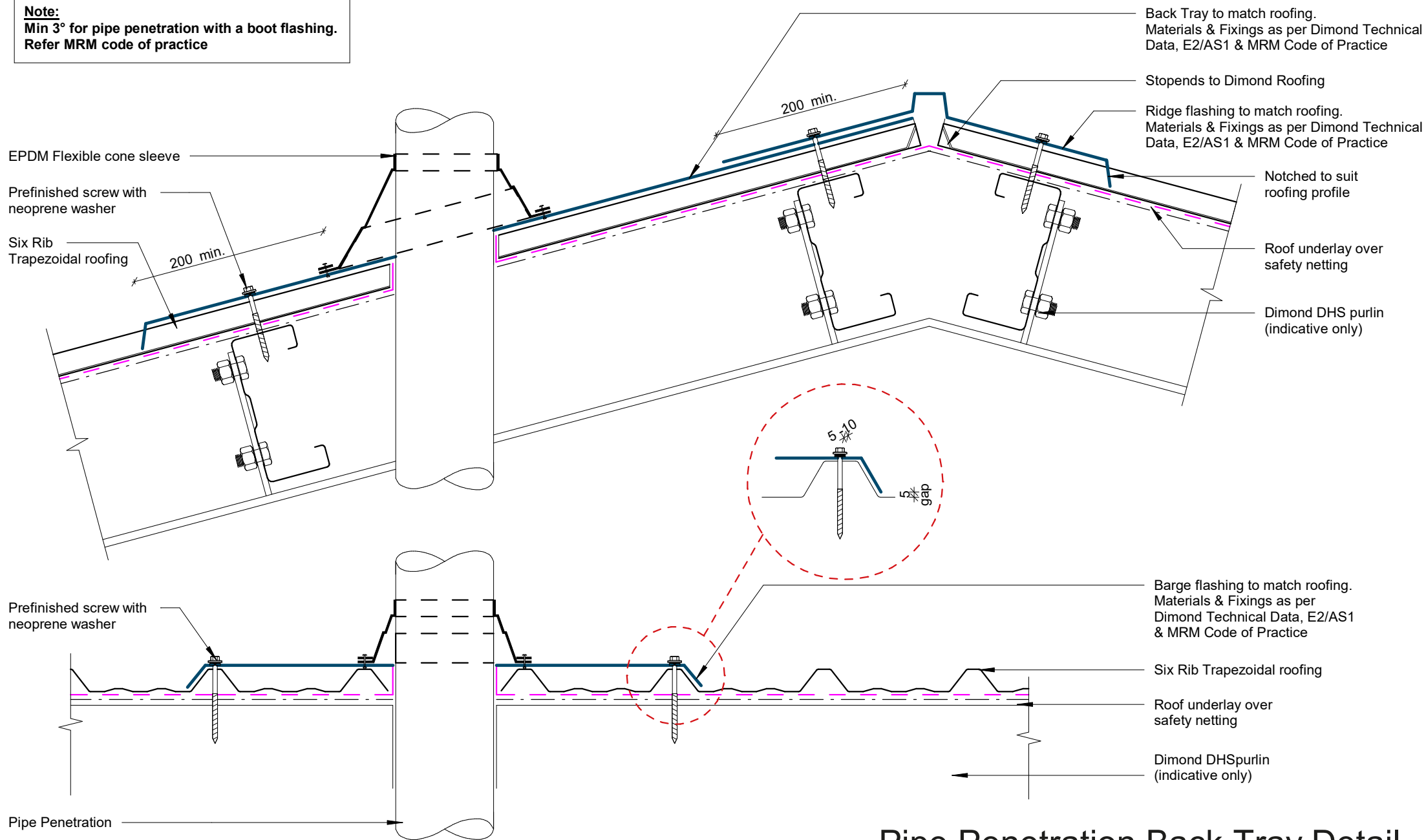


Pipe Penetration Direct Fix Detail

Rev: 1

Six Rib Commercial Roofing

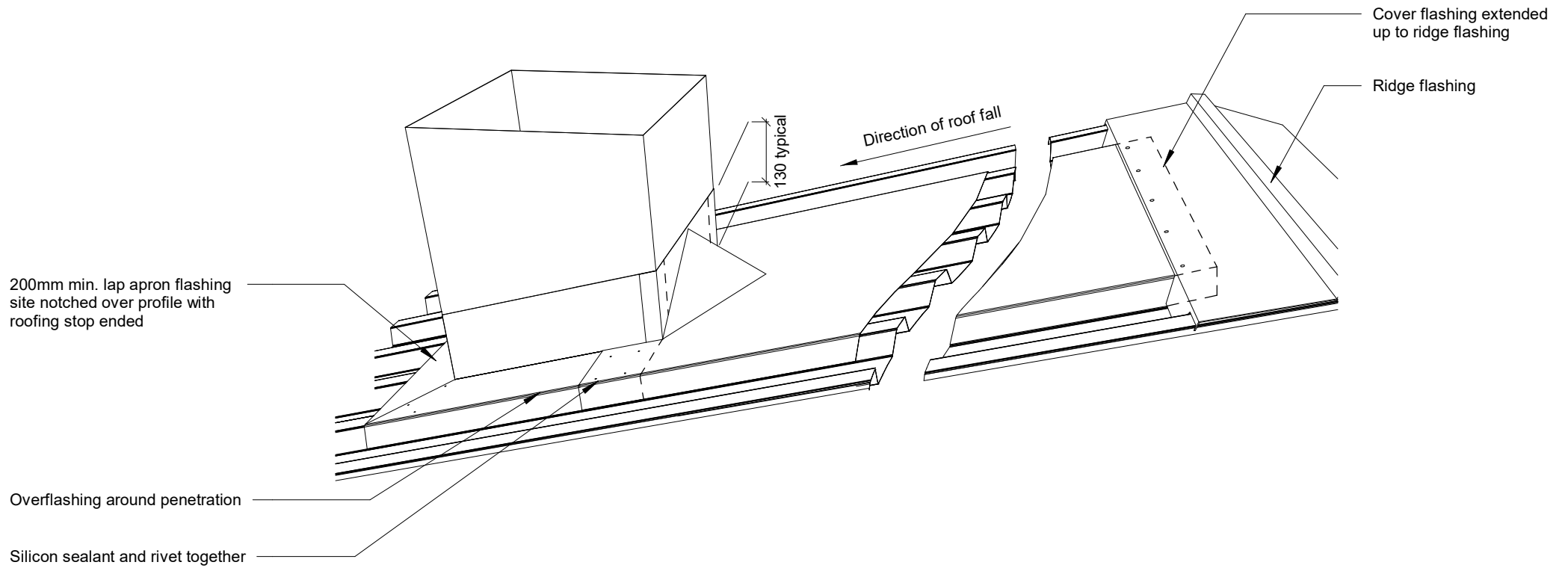
Note:
 Min 3° for pipe penetration with a boot flashing.
 Refer MRM code of practice



Pipe Penetration Back Tray Detail

Rev: 1

Six Rib Commercial Roofing



Large Penetration Detail

Rev: 1

Six Rib Commercial Roofing