

# LT7

## COMMERCIAL HORIZONTAL WALL CLADDING

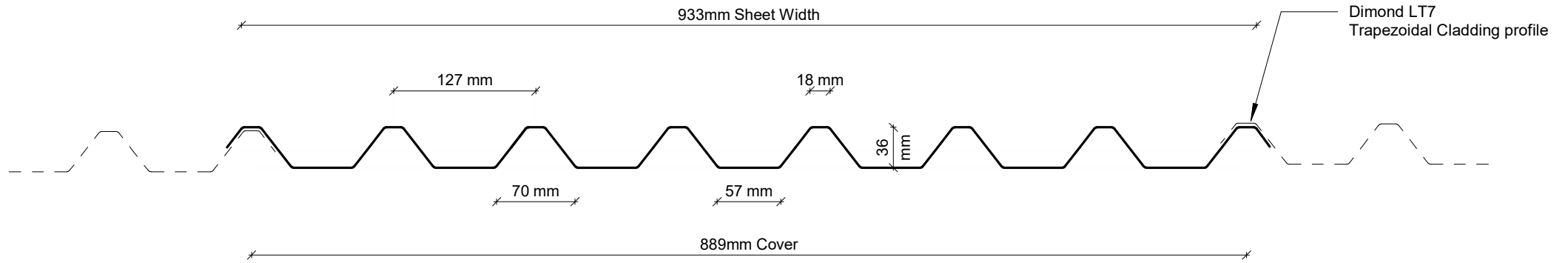
### DETAILS:

### REV:

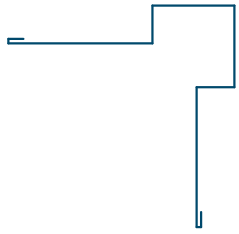
### DATE:

LTCHC00	Cover Sheet	1	Oct 2025
LTCHC01	Profile Summary	1	Oct 2025
LTCHC02	Typical Flashing Detail1	1	Oct 2025
LTCHC03	Barge Detail	1	Oct 2025
LTCHC04	Wall to Roof Transverse Detail	1	Oct 2025
LTCHC05	Wall to Roof Detail	1	Oct 2025
LTCHC06	Box Gutter Detail	1	Oct 2025
LTCHC07	Wall to Roof Apex Detail	1	Oct 2025
LTCHC08	External Corner Detail	1	Oct 2025
LTCHC09	Internal Corner Detail	1	Oct 2025
LTCHC10	Base Detail	1	Oct 2025
LTCHC11	Window / Door Head Detail	1	Oct 2025
LTCHC12	Window / Door Jamb Detail	1	Oct 2025
LTCHC13	Window Sill Detail	1	Oct 2025

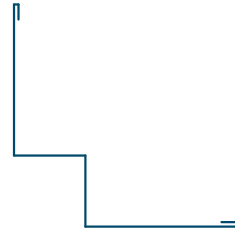
PROFILE OVERVIEW	
<b>RIB TYPE</b>	High
<b>RIBS PER SHEET</b>	7 Ribs per sheet
<b>WIDTH</b>	889mm Cover, 933mm Sheet



## Profile Summary



External Corner Flashing



Internal Corner Flashing



Base Flashing



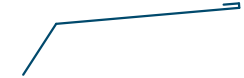
Window Sill Flashing



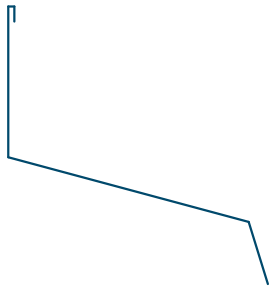
Window Head Flashing



Window Jamb Flashing



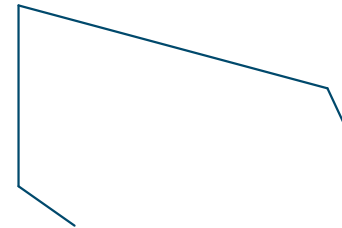
Eaves Flashing



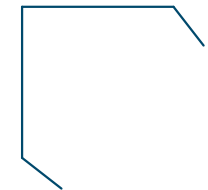
Wall to Roof Flashing 1



Wall to Roof Flashing 2

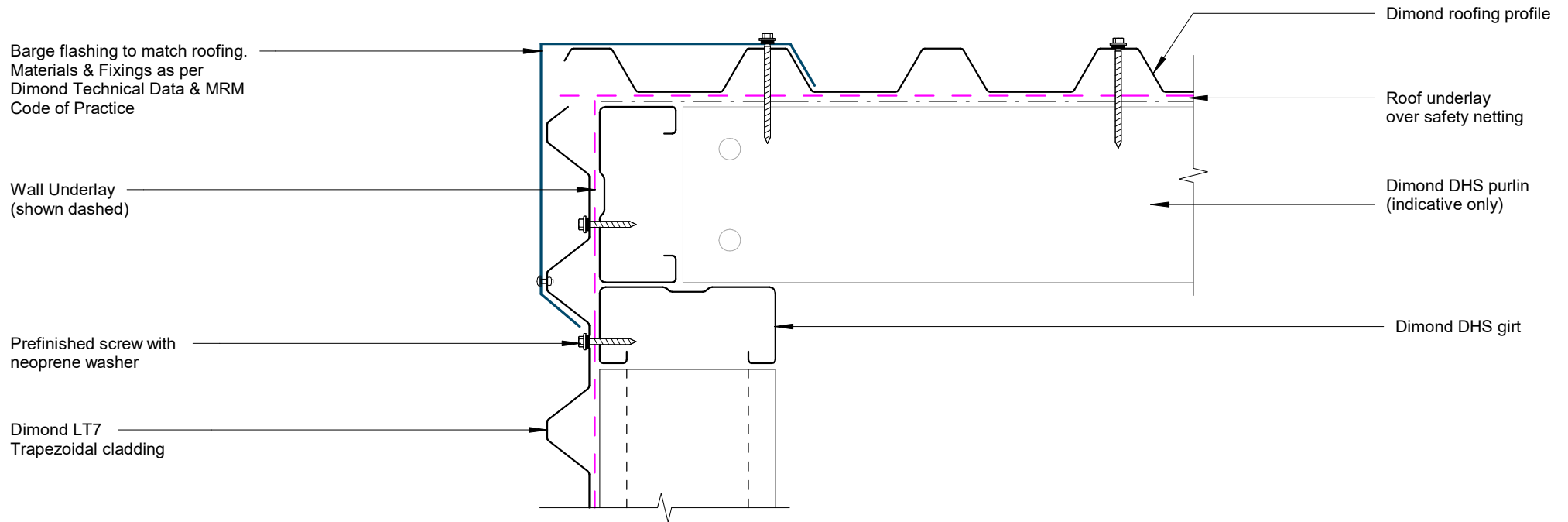


Wall Roof to Wall Apex Flashing

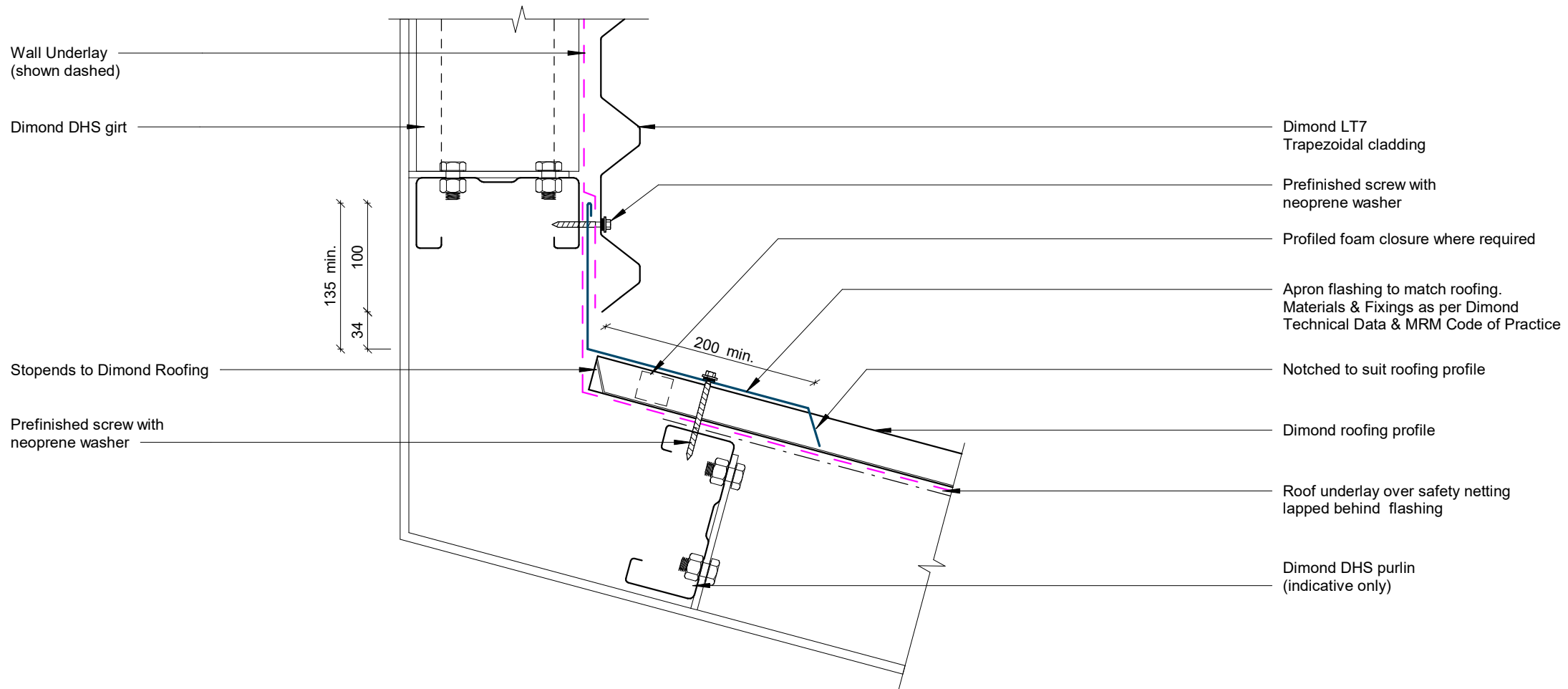


Barge Flashing

## Typical Flashing Detail1



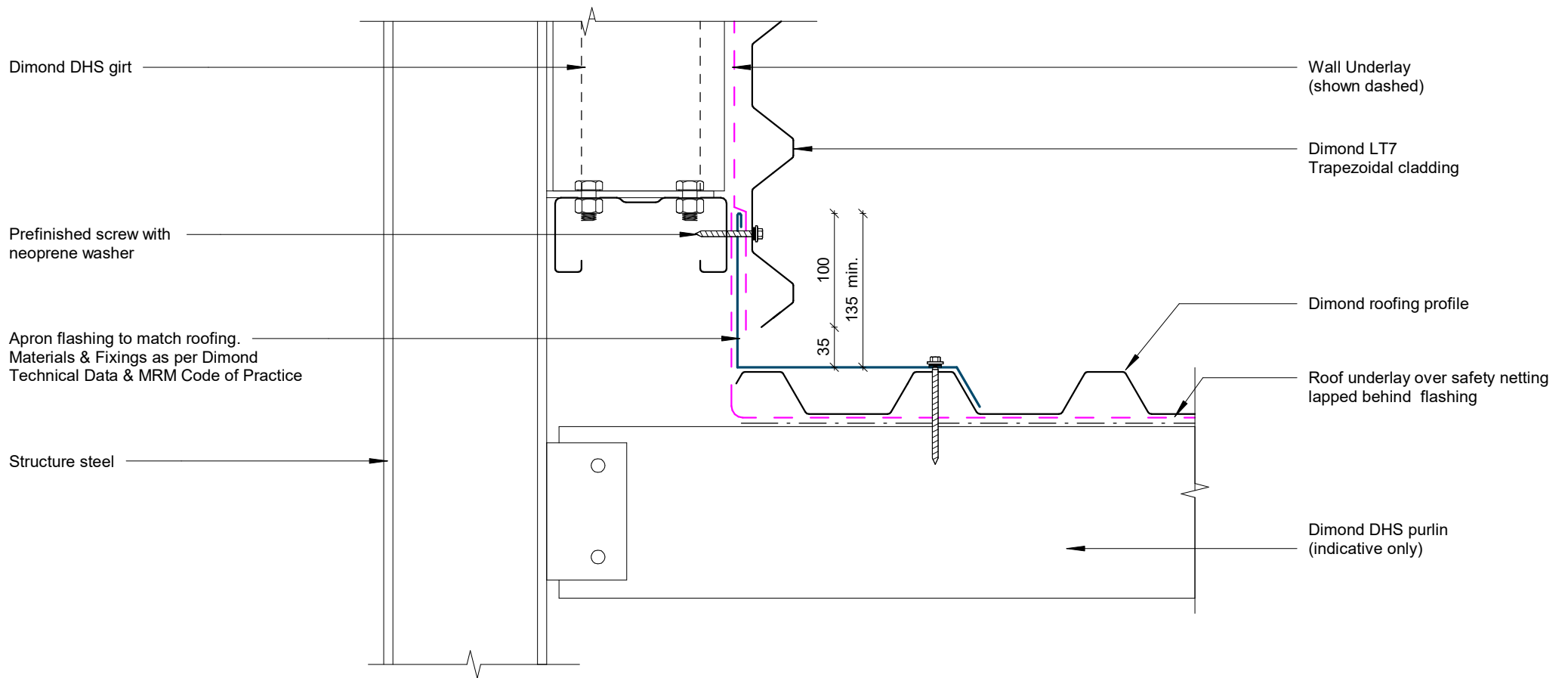
## Barge Detail



## Wall to Roof Transverse Detail

Rev: 1

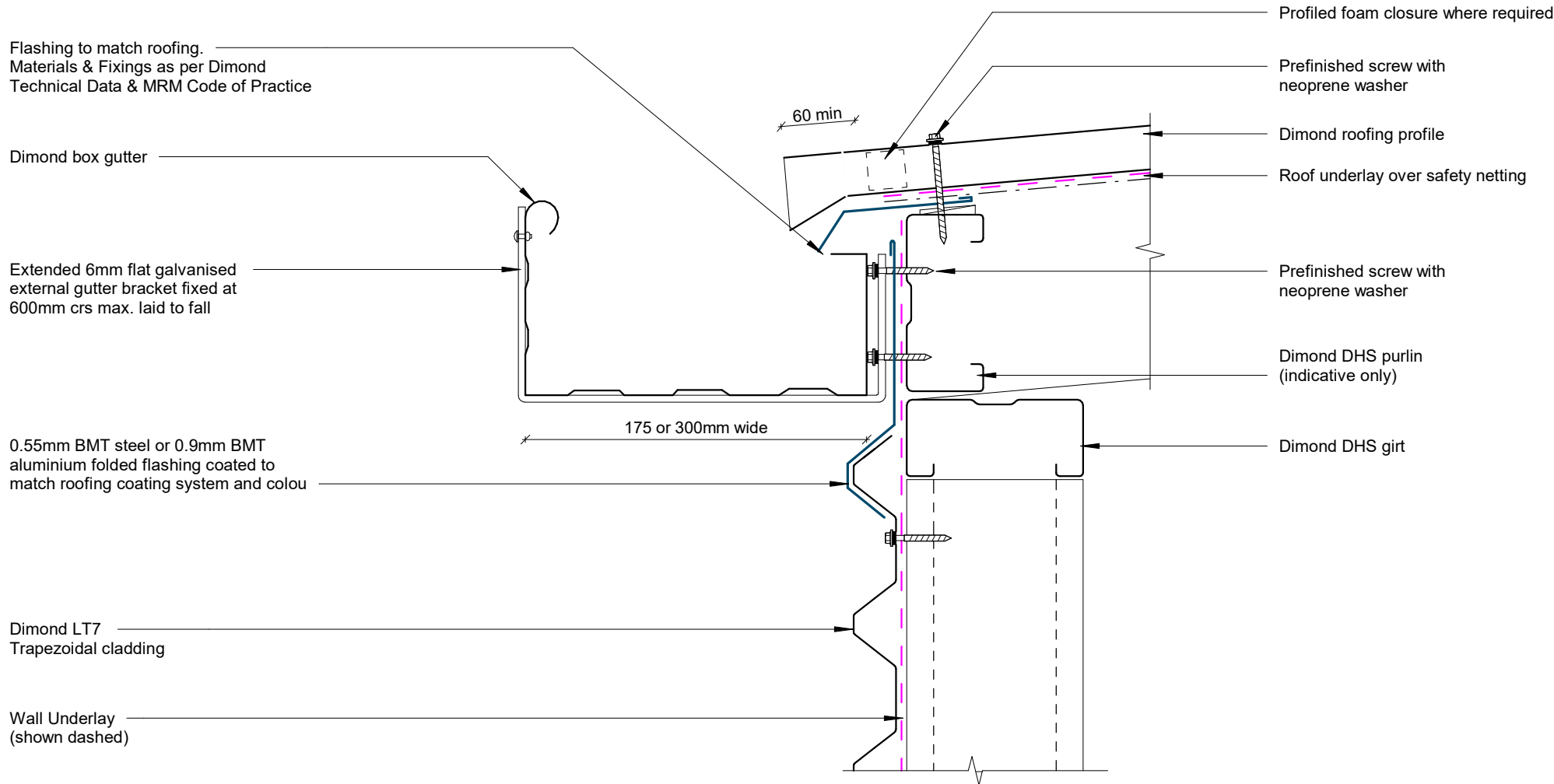
LT7 Commercial Horizontal Cladding



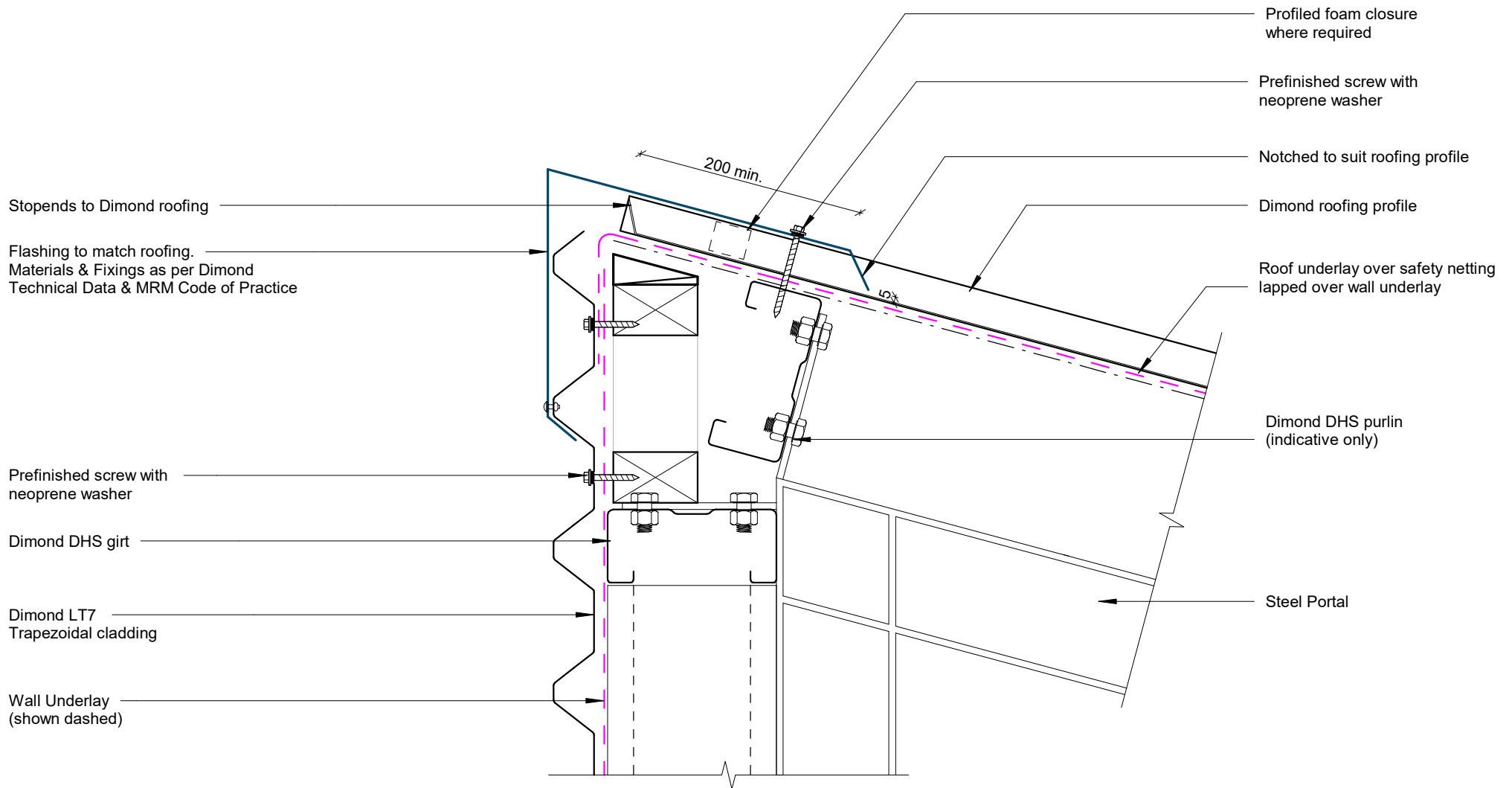
## Wall to Roof Detail

Rev: 1

LT7 Commercial Horizontal Cladding



## Box Gutter Detail

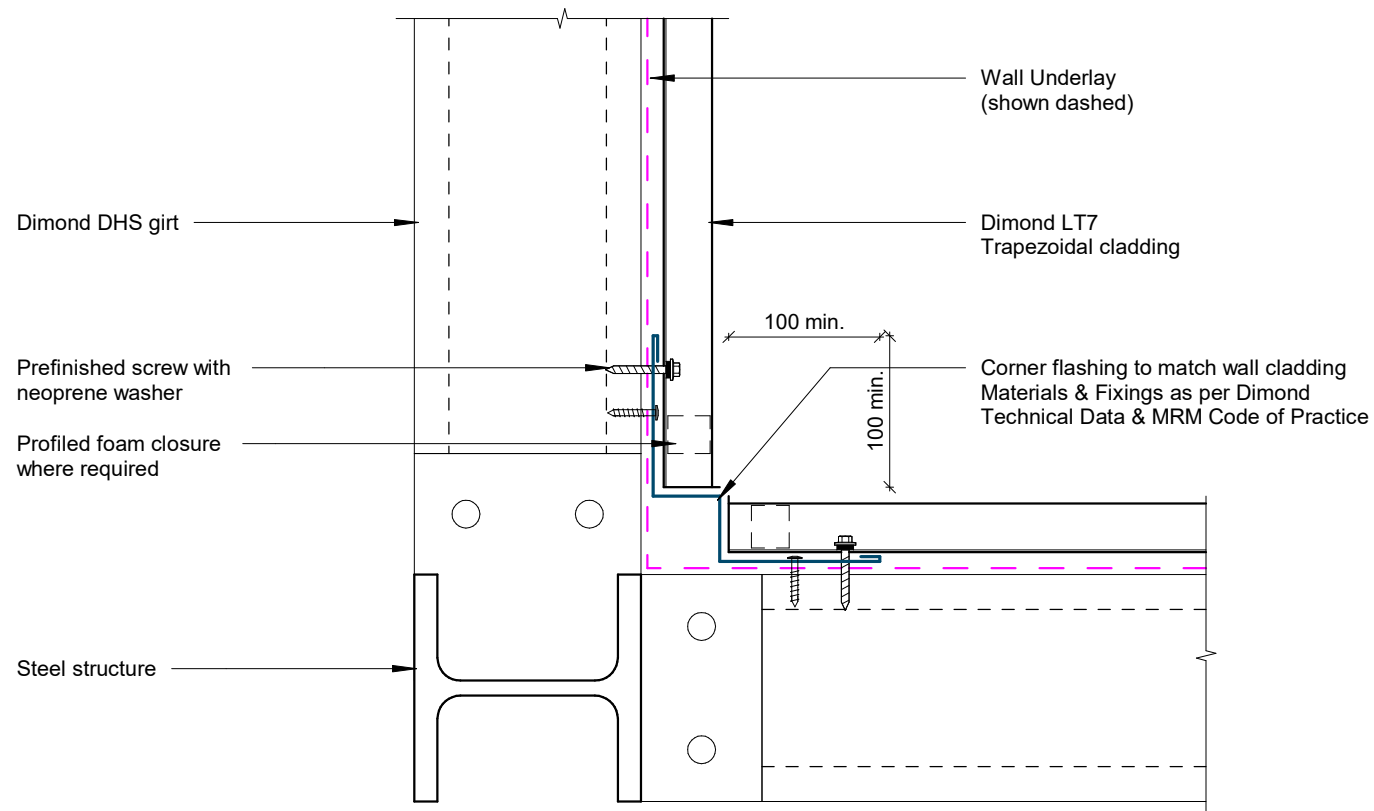


## Wall to Roof Apex Detail

Rev: 1

LT7 Commercial Horizontal Cladding

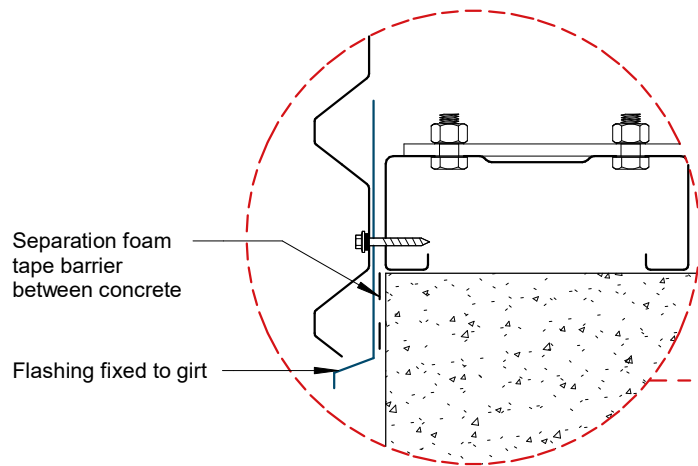




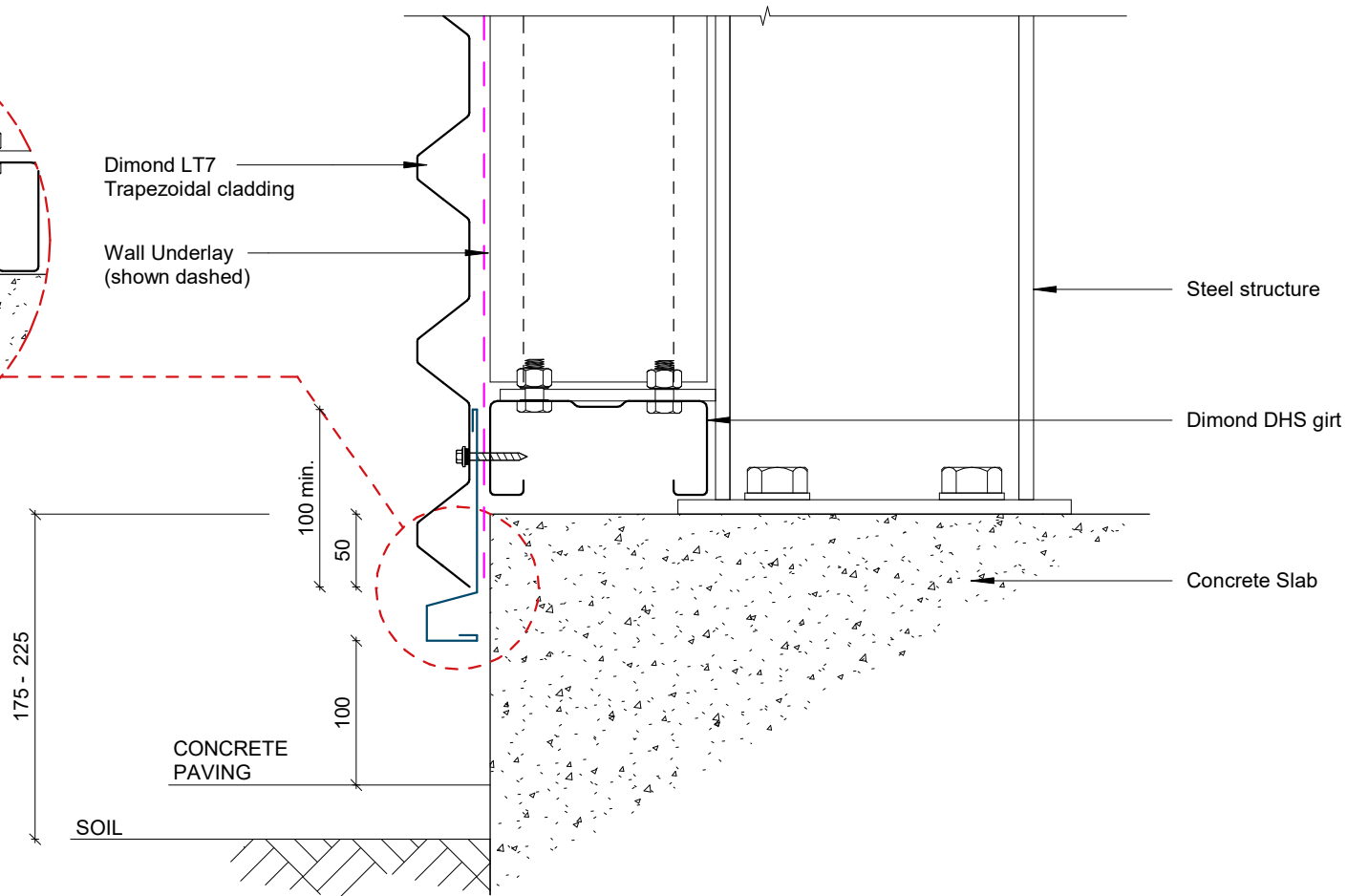
## Internal Corner Detail

Rev: 1

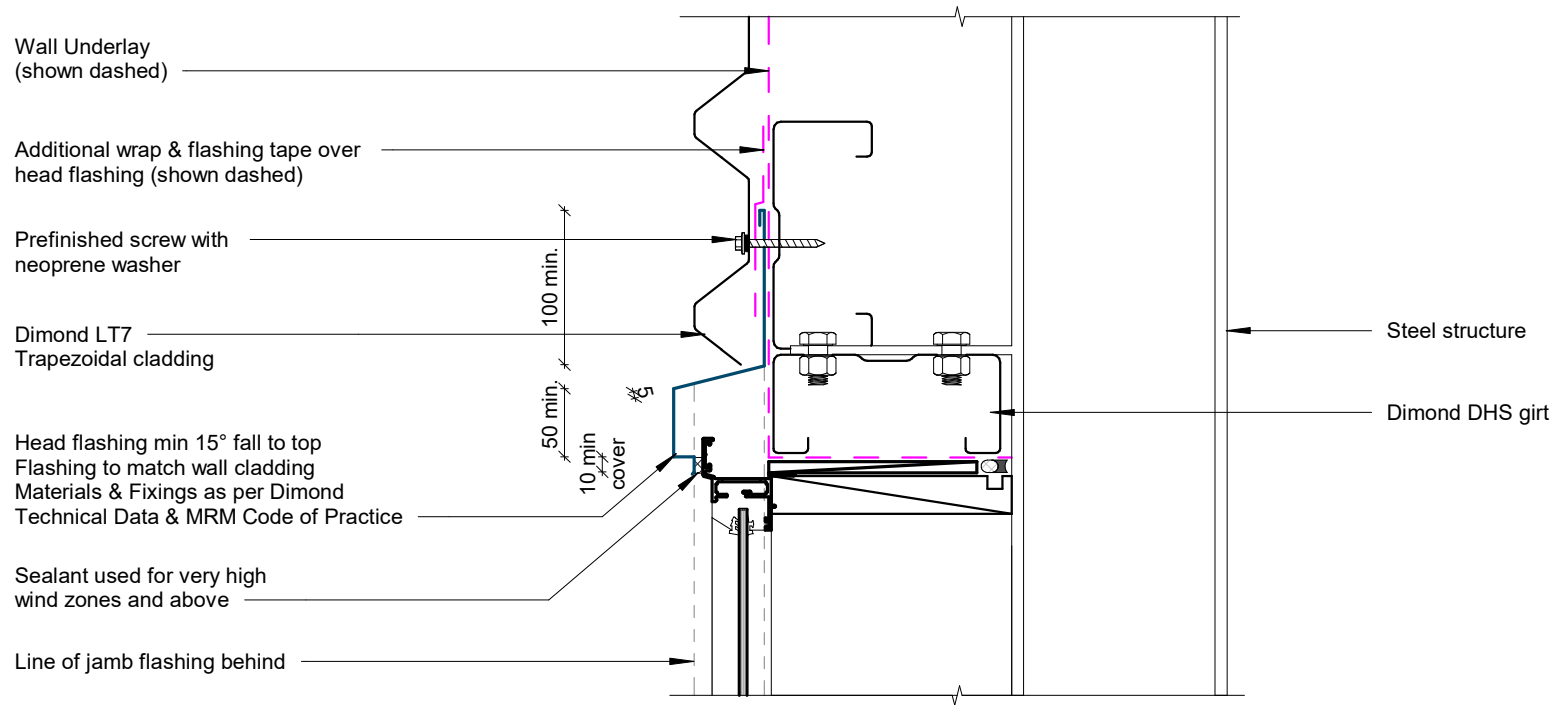
LT7 Commercial Horizontal Cladding



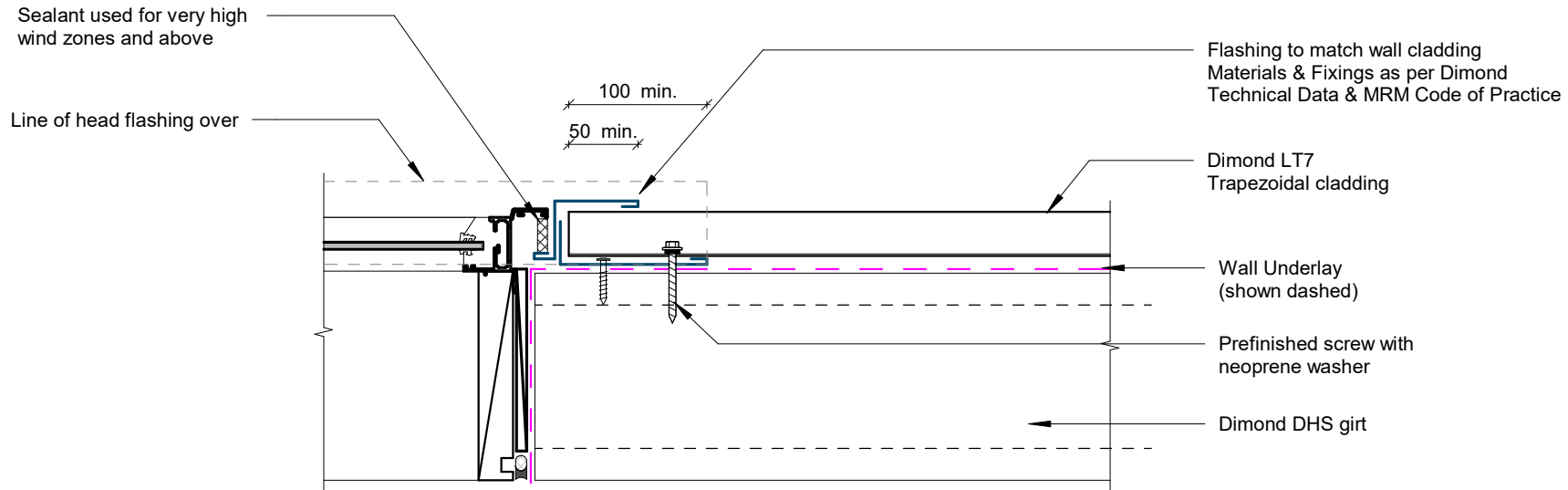
**Alternative Option**



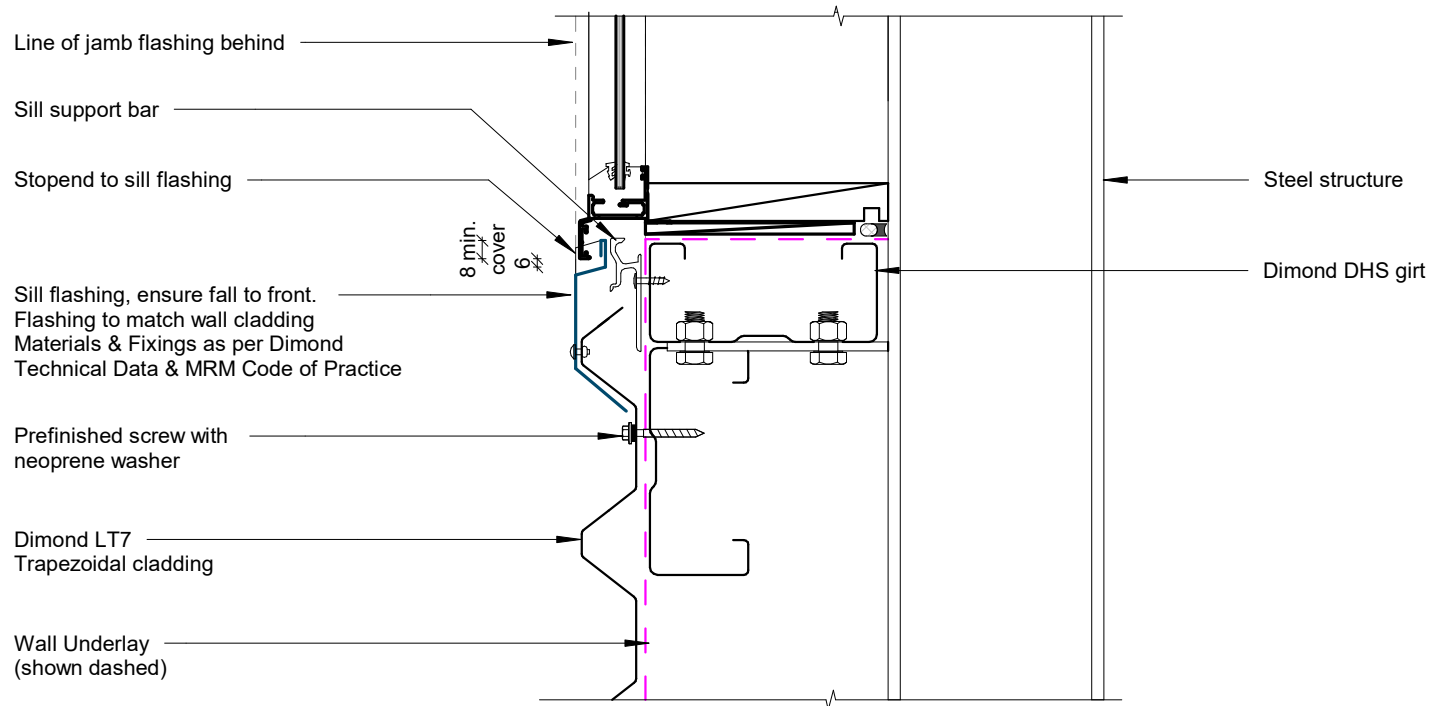
## Base Detail



## Window / Door Head Detail



## Window / Door Jamb Detail



## Window Sill Detail