

HERITAGE TRAY®

RESIDENTIAL ROOFING

DETAILS:

REV: DATE:

HTRR00	Cover Sheet	1	May 2025
HTRR01	Ridge Flashing Detail	1	May 2025
HTRR02	Barge Wall Detail	1	May 2025
HTRR03	Barge Soffit Detail	1	May 2025
HTRR04	Raking Barge Flashing Detail	1	May 2025
HTRR05	Sawtooth Wall Detail	1	May 2025
HTRR06	Sawtooth Soffit Detail	1	May 2025
HTRR07	Parapet Apron Detail	1	May 2025
HTRR08	Apron Parallel Detail	1	May 2025
HTRR09	Apron Parallel Two Piece Detail	1	May 2025
HTRR10	Apron Transverse Detail	1	May 2025
HTRR11	Apron Transverse Two Piece Detail	1	May 2025
HTRR12	Change of Pitch Detail	1	May 2025
HTRR13	Mansard Detail	1	May 2025
HTRR14	Valley Detail	1	May 2025
HTRR15	Internal Gutter Detail	1	May 2025
HTRR16	Parallel Hidden Gutter Detail	1	May 2025
HTRR17	Parallel Hidden Gutter Two Piece Detail	1	May 2025
HTRR18	Eave Detail	1	May 2025
HTRR19	Step in roofing Detail	1	May 2025
HTRR20	Pipe Penetration Direct Fix Detail	1	May 2025
HTRR21	Penetration 3D Detail	1	May 2025
HTRR22	Large penetration 3D Detail	1	May 2025

Drawing Version: 1



COVER DIMENSIONS AS PER E2/AS1

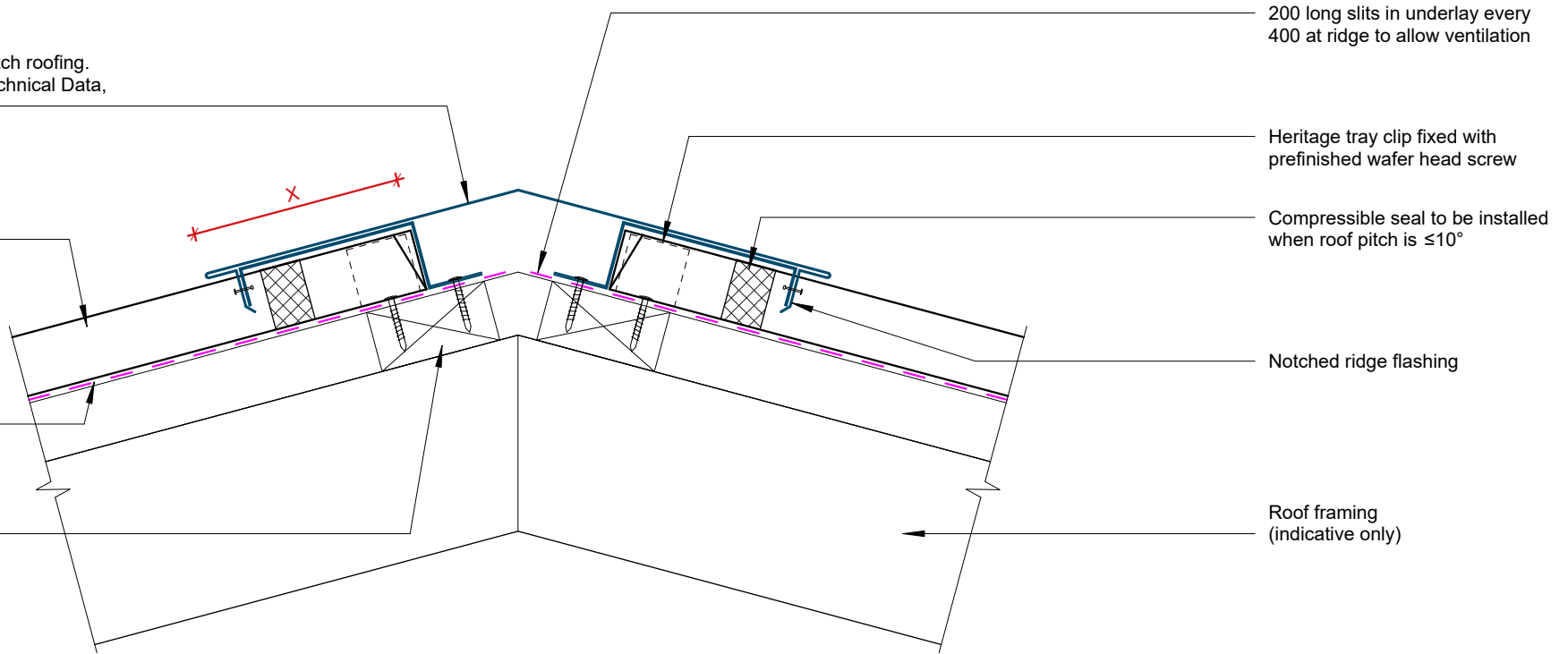
	SITUATION 1	SITUATION 2	SITUATION 3
	Low, Medium & High Wind Zones where roof pitch $\geq 10^\circ$	All roof pitches in Very High zone. Low, Medium & High Wind Zones where roof pitch $\leq 10^\circ$	All roof pitches in Extra High wind zone
X	130 MIN	200 MIN	200 MIN
Z	50 MIN	70 MIN	90 MIN

Ridge flashing & under flashing to match roofing.
Materials & Fixings as per Dimond Technical Data, E2/AS1 & MRM Code of Practice

Dimond Heritage Tray profile roofing

Roof underlay with foam tape (shown dashed)

Purlins (indicative only)



200 long slits in underlay every 400 at ridge to allow ventilation

Heritage tray clip fixed with prefinished wafer head screw

Compressible seal to be installed when roof pitch is $\leq 10^\circ$

Notched ridge flashing

Roof framing (indicative only)

Ridge Flashing Detail



©Dimond 2023, all rights reserved. The information and specifications contained in this document are proprietary to Dimond and may not be used other than for the purpose of designing or building a roof or roofing system solely using products supplied or approved by Dimond ("Permitted Purpose"). You may copy this document solely for the Permitted Purpose, but may not otherwise copy, publish, distribute or modify this document without Dimond's prior written consent. Dimond will not be liable for any use of this document or information and specifications contained in this document, other than for the Permitted Purpose

Rev: 1

Heritage Tray® Residential Roofing

Date: May 2025

Scale: 1 : 5

Sheet: **HTRR01**

COVER DIMENSIONS AS PER E2/AS1

	SITUATION 1	SITUATION 2	SITUATION 3
	Low, Medium & High Wind Zones where roof pitch $\geq 10^\circ$	All roof pitches in Very High zone. Low, Medium & High Wind Zones where roof pitch $\leq 10^\circ$	All roof pitches in Extra High wind zone
X	130 MIN	200 MIN	200 MIN
Z	50 MIN	70 MIN	90 MIN

Barge flashing to match roofing.
Materials & Fixings as per Dimond Technical Data, E2/AS1 & MRM Code of Practice

Under flashing to match roofing.
Materials & Fixings as per Dimond Technical Data, E2/AS1 & MRM Code of Practice

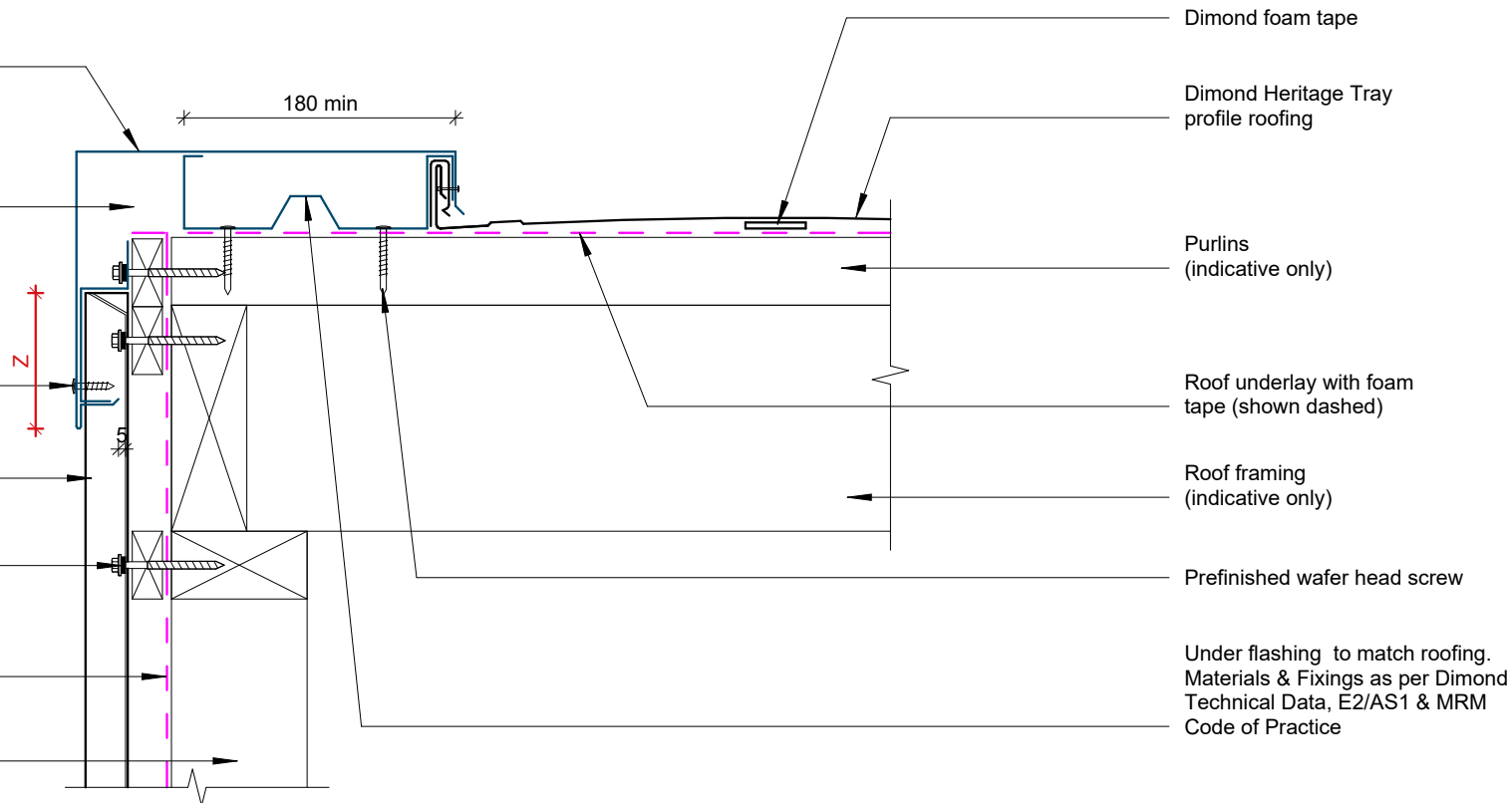
Prefinished screw

Dimond Wall cladding cavity fixed

Prefinished screw with neoprene washer

Wall Underlay (shown dashed)

Wall framing (indicative only)



GENERAL NOTE

Install vented cavity battens where required to accommodate roof space ventilation pathways.

Cavity battens or timber framing that contain copper must be separated from steel cladding by a strip of wall or roof underlay or DPC.

Barge Wall Detail

Rev: 1

Heritage Tray® Residential Roofing



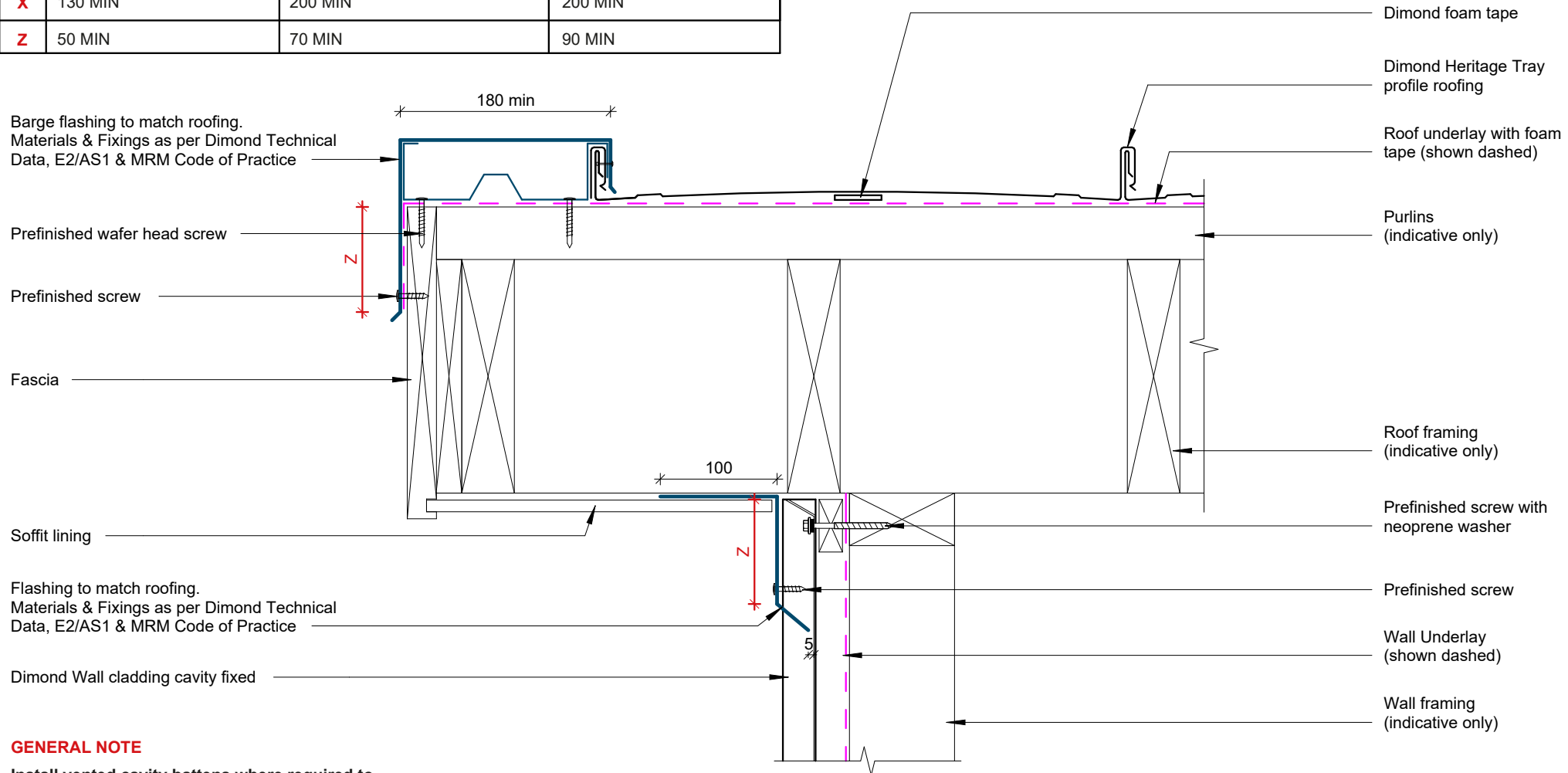
©Dimond 2023, all rights reserved. The information and specifications contained in this document are proprietary to Dimond and may not be used other than for the purpose of designing or building a roof or roofing system solely using products supplied or approved by Dimond ("Permitted Purpose"). You may copy this document solely for the Permitted Purpose, but may not otherwise copy, publish, distribute or modify this document without Dimond's prior written consent. Dimond will not be liable for any use of this document or information and specifications contained in this document, other than for the Permitted Purpose

Date: May 2025

Scale: 1 : 5

Sheet: **HTRR02**

COVER DIMENSIONS AS PER E2/AS1		
SITUATION 1	SITUATION 2	SITUATION 3
Low, Medium & High Wind Zones where roof pitch $\geq 10^\circ$	All roof pitches in Very High zone. Low, Medium & High Wind Zones where roof pitch $\leq 10^\circ$	All roof pitches in Extra High wind zone
X 130 MIN	200 MIN	200 MIN
Z 50 MIN	70 MIN	90 MIN



GENERAL NOTE

Install vented cavity battens where required to accommodate roof space ventilation pathways.

Cavity battens or timber framing that contain copper must be separated from steel cladding by a strip of wall or roof underlay or DPC.

Barge Soffit Detail



©Dimond 2023, all rights reserved. The information and specifications contained in this document are proprietary to Dimond and may not be used other than for the purpose of designing or building a roof or roofing system solely using products supplied or approved by Dimond ("Permitted Purpose"). You may copy this document solely for the Permitted Purpose, but may not otherwise copy, publish, distribute or modify this document without Dimond's prior written consent. Dimond will not be liable for any use of this document or information and specifications contained in this document, other than for the Permitted Purpose

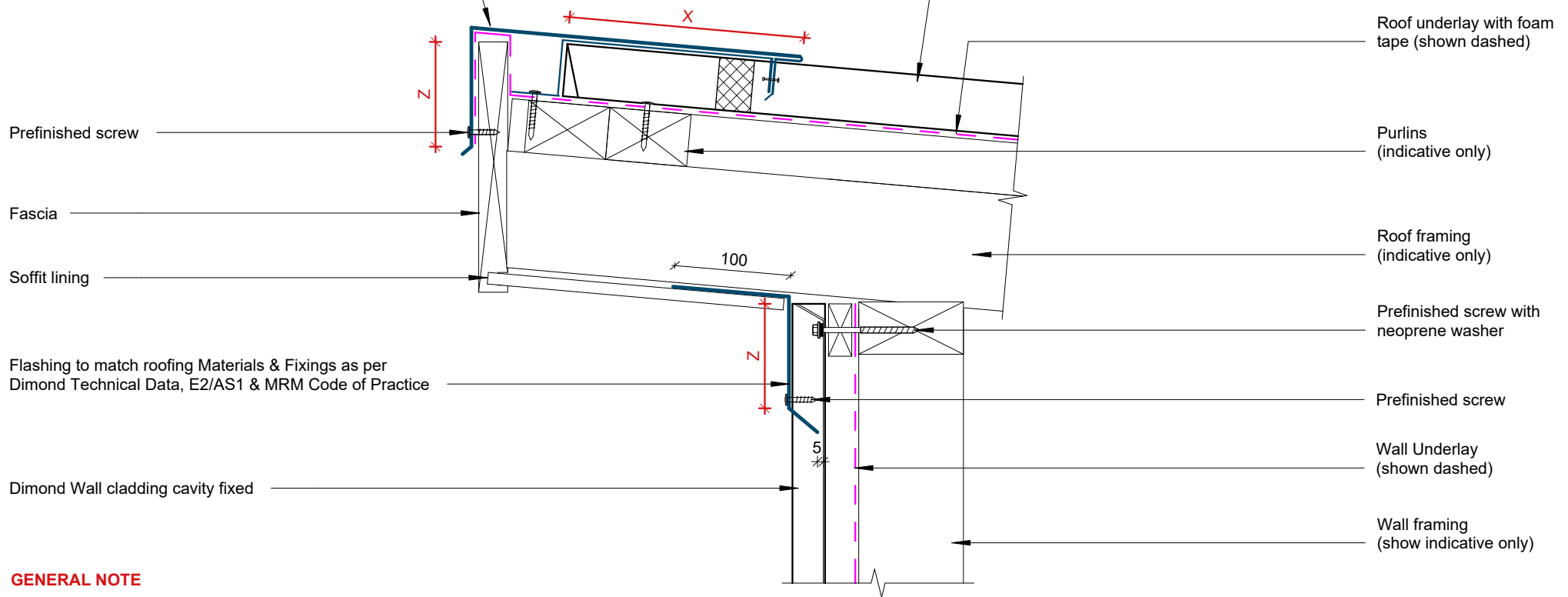
Rev: 1 Heritage Tray® Residential Roofing

Date: May 2025 Scale: 1 : 5 Sheet: HTRR03

COVER DIMENSIONS AS PER E2/AS1

	SITUATION 1	SITUATION 2	SITUATION 3
	Low, Medium & High Wind Zones where roof pitch $\geq 10^\circ$	All roof pitches in Very High zone. Low, Medium & High Wind Zones where roof pitch $\leq 10^\circ$	All roof pitches in Extra High wind zone
X	130 MIN	200 MIN	200 MIN
Z	50 MIN	70 MIN	90 MIN

Barge flashing to match roofing.
Materials & Fixings as per Dimond Technical Data, E2/AS1 & MRM Code of Practice



GENERAL NOTE

Install vented cavity battens where required to accommodate roof space ventilation pathways.

Cavity battens or timber framing that contain copper must be separated from steel cladding by a strip of wall or roof underlay or DPC.

Raking Barge Flashing Detail

COVER DIMENSIONS AS PER E2/AS1

	SITUATION 1	SITUATION 2	SITUATION 3
	Low, Medium & High Wind Zones where roof pitch $\geq 10^\circ$	All roof pitches in Very High zone. Low, Medium & High Wind Zones where roof pitch $\leq 10^\circ$	All roof pitches in Extra High wind zone
X	130 MIN	200 MIN	200 MIN
Z	50 MIN	70 MIN	90 MIN

Heritage tray clip fixed with prefinished wafer head screw

Prefinished wafer head screw

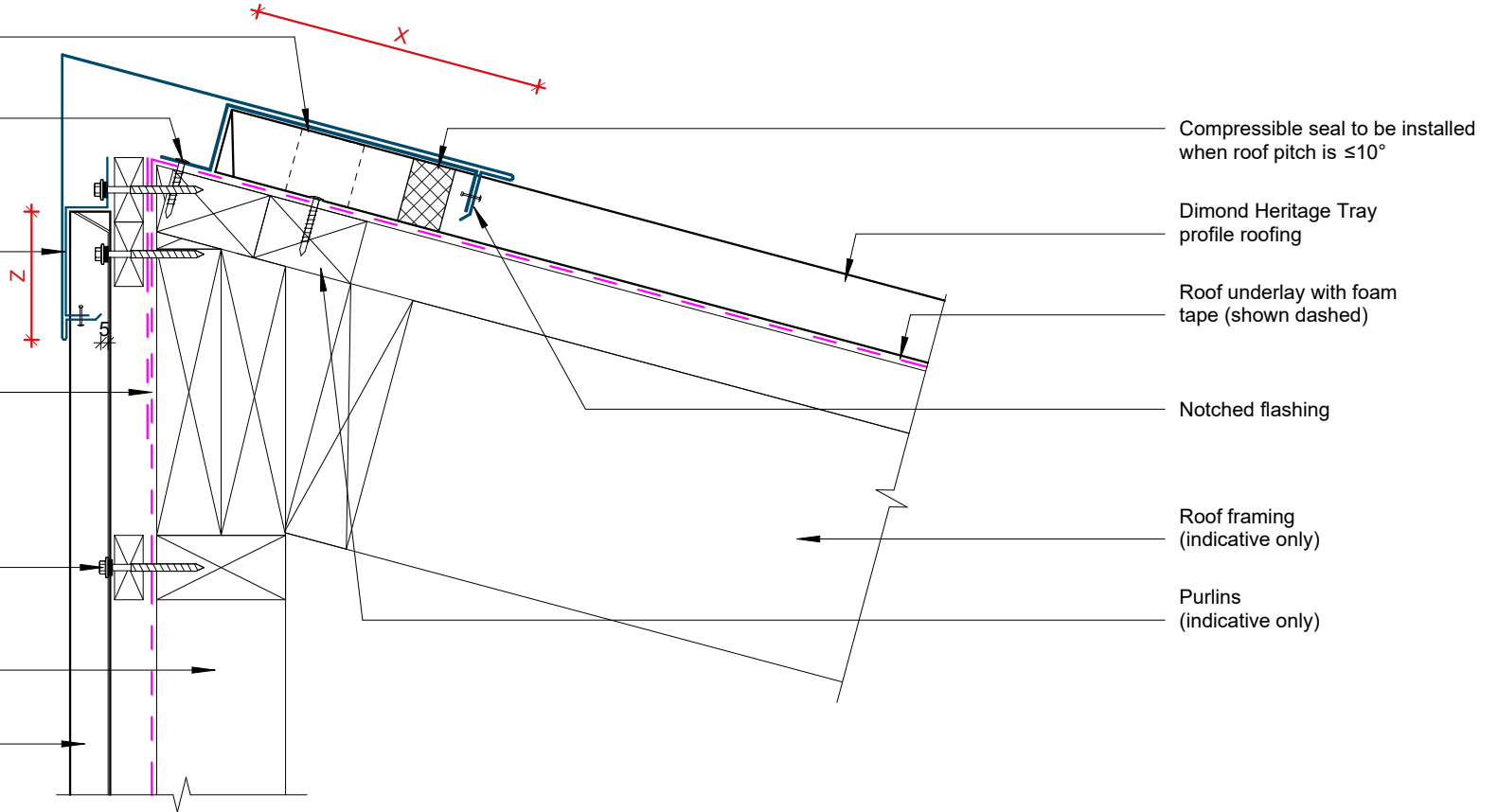
Flashing to match roofing. Materials & Fixings as per Dimond Technical Data, E2/AS1 & MRM Code of Practice

Wall Underlay (shown dashed)

Prefinished screw with neoprene washer

Wall framing (shown indicative only)

Dimond Wall cladding cavity fixed



Compressible seal to be installed when roof pitch is $\leq 10^\circ$

Dimond Heritage Tray profile roofing

Roof underlay with foam tape (shown dashed)

Notched flashing

Roof framing (indicative only)

Purlins (indicative only)

GENERAL NOTE

Install vented cavity battens where required to accommodate roof space ventilation pathways.

Cavity battens or timber framing that contain copper must be separated from steel cladding by a strip of wall or roof underlay or DPC.

Sawtooth Wall Detail

Rev: 1

Heritage Tray® Residential Roofing



©Dimond 2023, all rights reserved. The information and specifications contained in this document are proprietary to Dimond and may not be used other than for the purpose of designing or building a roof or roofing system solely using products supplied or approved by Dimond ("Permitted Purpose"). You may copy this document solely for the Permitted Purpose, but may not otherwise copy, publish, distribute or modify this document without Dimond's prior written consent. Dimond will not be liable for any use of this document or information and specifications contained in this document, other than for the Permitted Purpose

Date: May 2025

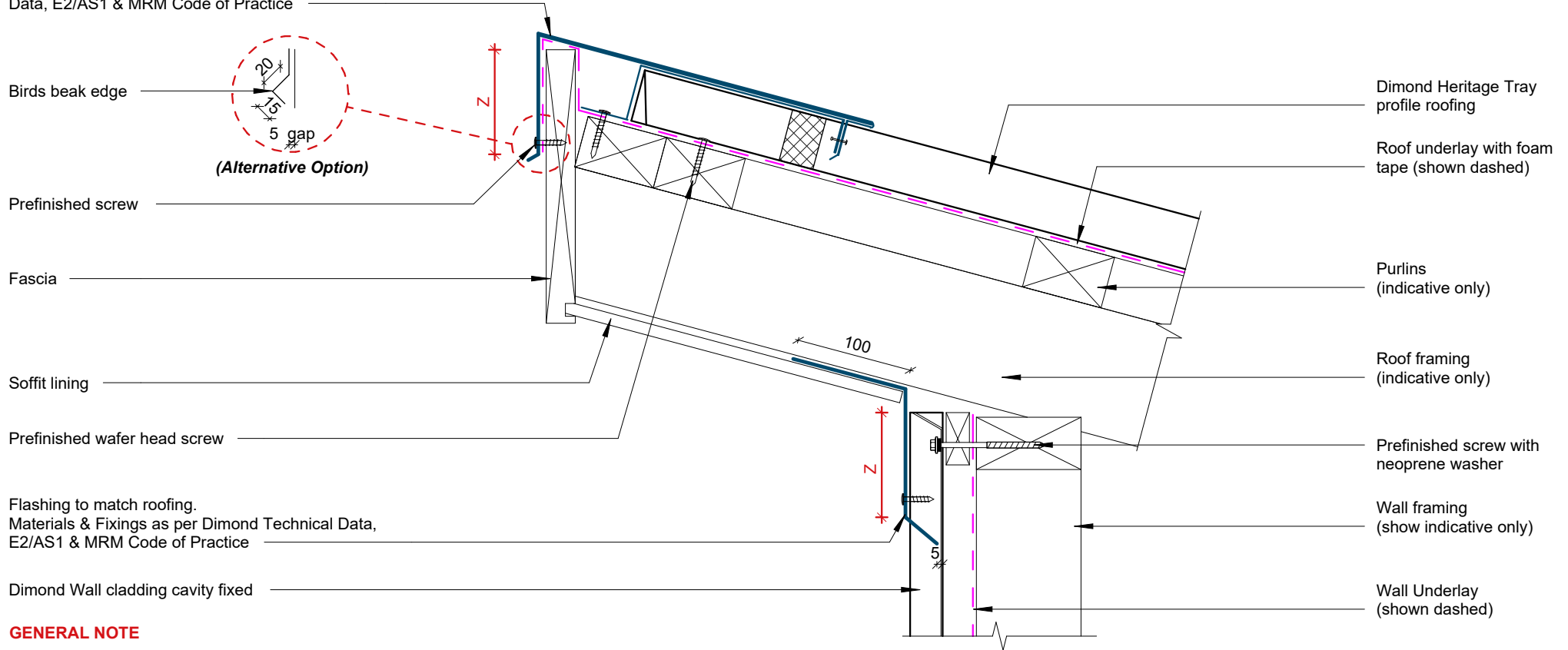
Scale: 1 : 5

Sheet: **HTRR05**

COVER DIMENSIONS AS PER E2/AS1

	SITUATION 1	SITUATION 2	SITUATION 3
	Low, Medium & High Wind Zones where roof pitch $\geq 10^\circ$	All roof pitches in Very High zone. Low, Medium & High Wind Zones where roof pitch $\leq 10^\circ$	All roof pitches in Extra High wind zone
X	130 MIN	200 MIN	200 MIN
Z	50 MIN	70 MIN	90 MIN

Flashing to match roofing.
Materials & Fixings as per Dimond Technical Data, E2/AS1 & MRM Code of Practice



GENERAL NOTE

Install vented cavity battens where required to accommodate roof space ventilation pathways.

Cavity battens or timber framing that contain copper must be separated from steel cladding by a strip of wall or roof underlay or DPC.

Sawtooth Soffit Detail

Rev: 1

Heritage Tray® Residential Roofing



©Dimond 2023, all rights reserved. The information and specifications contained in this document are proprietary to Dimond and may not be used other than for the purpose of designing or building a roof or roofing system solely using products supplied or approved by Dimond ("Permitted Purpose"). You may copy this document solely for the Permitted Purpose, but may not otherwise copy, publish, distribute or modify this document without Dimond's prior written consent. Dimond will not be liable for any use of this document or information and specifications contained in this document, other than for the Permitted Purpose

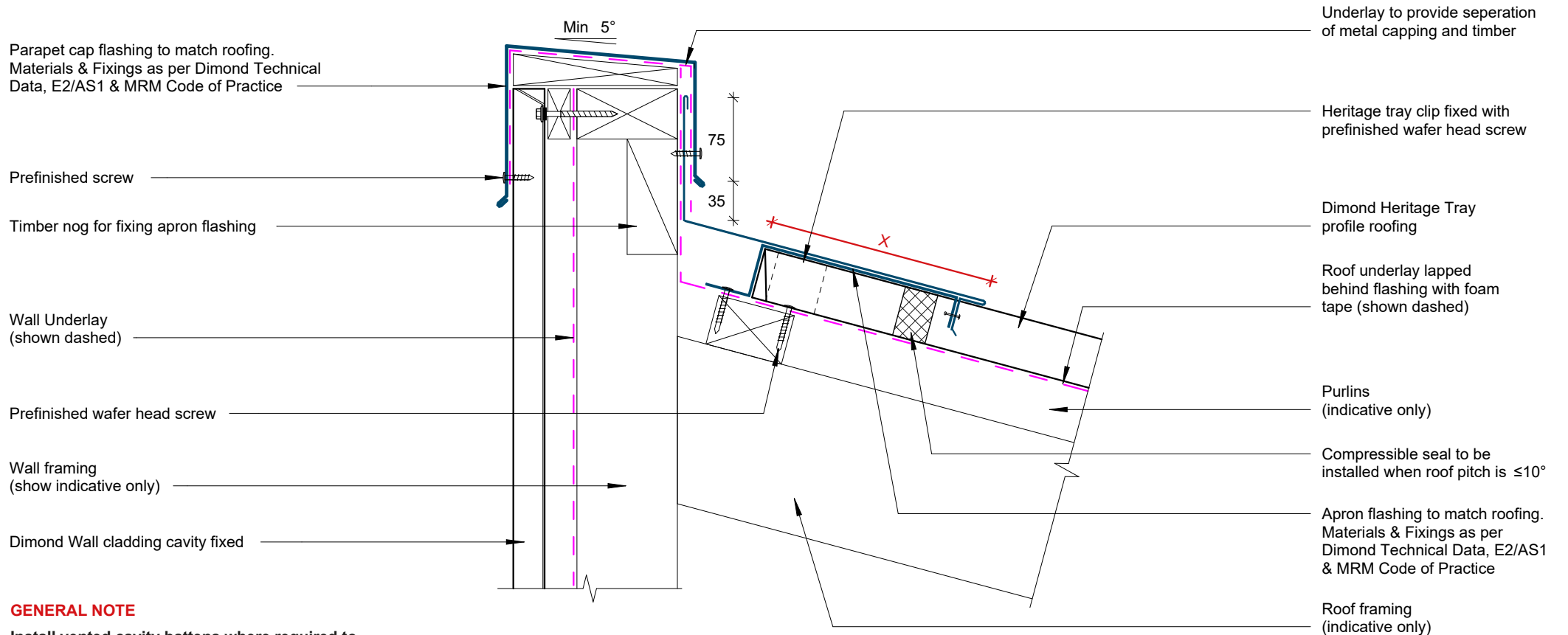
Date: May 2025

Scale: 1 : 5

Sheet: HTRR06

COVER DIMENSIONS AS PER E2/AS1

	SITUATION 1	SITUATION 2	SITUATION 3
	Low, Medium & High Wind Zones where roof pitch $\geq 10^\circ$	All roof pitches in Very High zone. Low, Medium & High Wind Zones where roof pitch $\leq 10^\circ$	All roof pitches in Extra High wind zone
X	130 MIN	200 MIN	200 MIN
Z	50 MIN	70 MIN	90 MIN

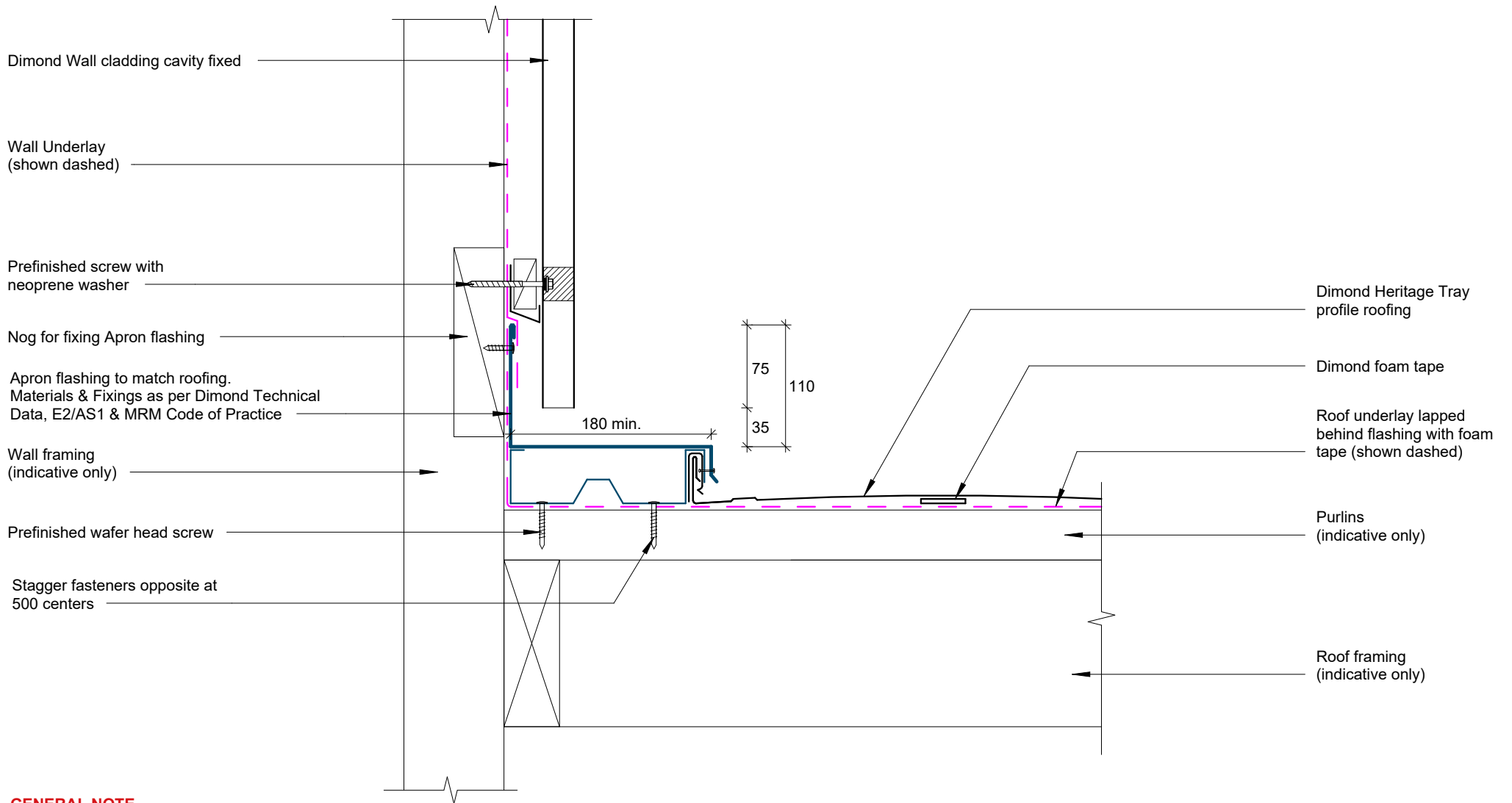


GENERAL NOTE

Install vented cavity battens where required to accommodate roof space ventilation pathways.

Cavity battens or timber framing that contain copper must be separated from steel cladding by a strip of wall or roof underlay or DPC.

Parapet Apron Detail



GENERAL NOTE

Install vented cavity battens where required to accommodate roof space ventilation pathways.

Cavity battens or timber framing that contain copper must be separated from steel cladding by a strip of wall or roof underlay or DPC.

Apron Parallel Detail



©Dimond 2023, all rights reserved. The information and specifications contained in this document are proprietary to Dimond and may not be used other than for the purpose of designing or building a roof or roofing system solely using products supplied or approved by Dimond ("Permitted Purpose"). You may copy this document solely for the Permitted Purpose, but may not otherwise copy, publish, distribute or modify this document without Dimond's prior written consent. Dimond will not be liable for any use of this document or information and specifications contained in this document, other than for the Permitted Purpose

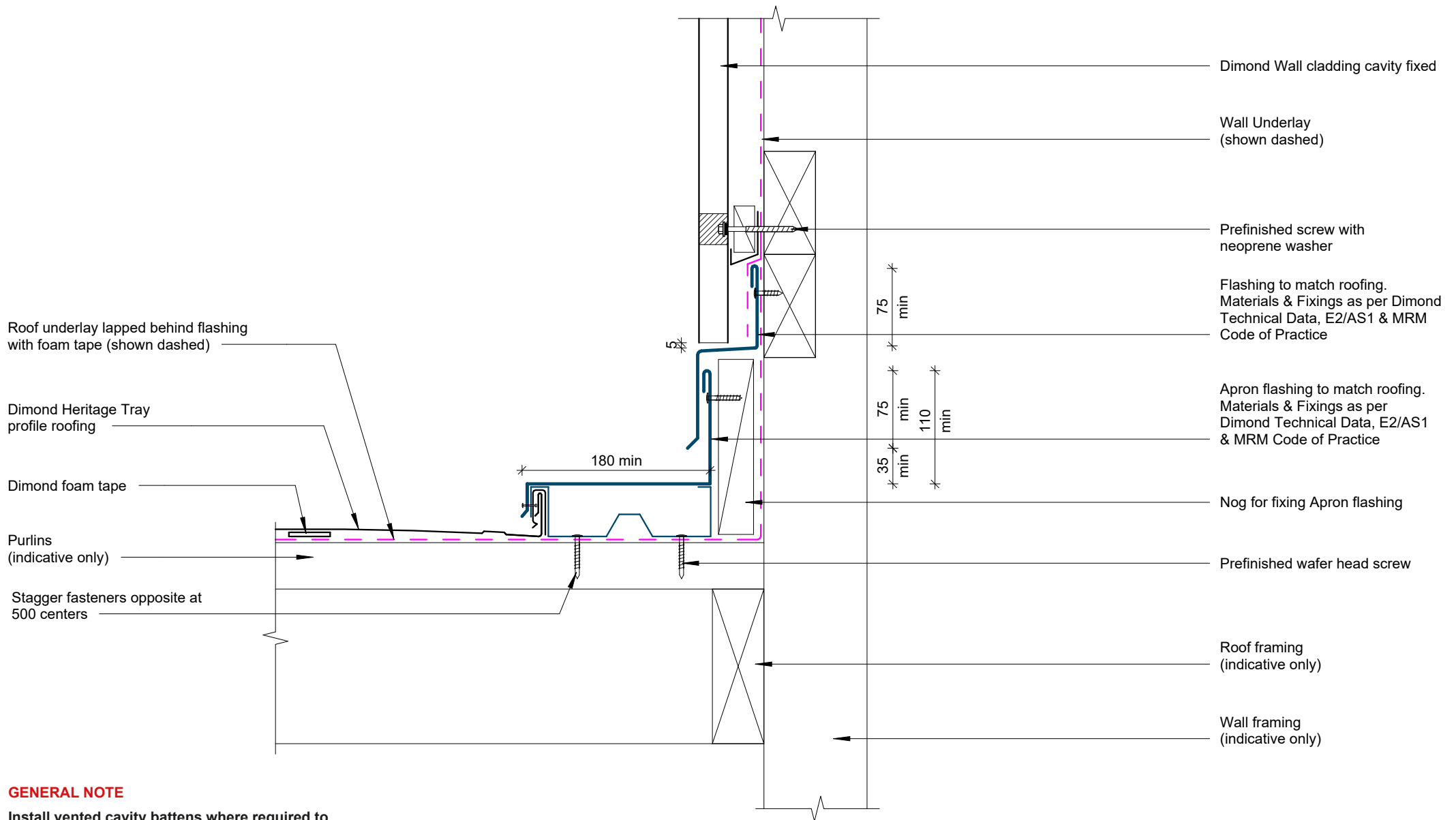
Rev: 1

Heritage Tray® Residential Roofing

Date: May 2025

Scale: 1 : 5

Sheet: **HTRR08**



GENERAL NOTE

Install vented cavity battens where required to accommodate roof space ventilation pathways.

Cavity battens or timber framing that contain copper must be separated from steel cladding by a strip of wall or roof underlay or DPC.

Apron Parallel Two Piece Detail



©Dimond 2023, all rights reserved. The information and specifications contained in this document are proprietary to Dimond and may not be used other than for the purpose of designing or building a roof or roofing system solely using products supplied or approved by Dimond ("Permitted Purpose"). You may copy this document solely for the Permitted Purpose, but may not otherwise copy, publish, distribute or modify this document without Dimond's prior written consent. Dimond will not be liable for any use of this document or information and specifications contained in this document, other than for the Permitted Purpose

Rev: 1

Heritage Tray® Residential Roofing

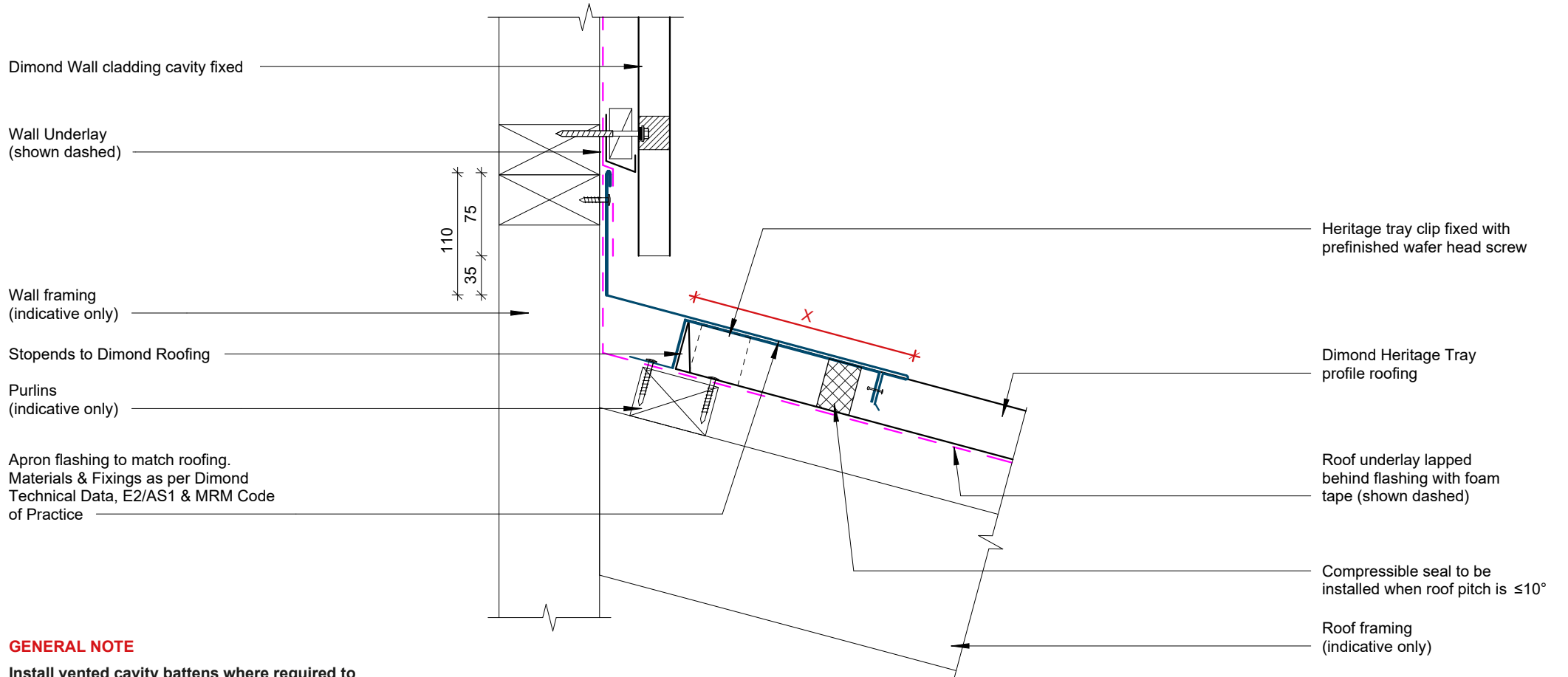
Date: May 2025

Scale: 1 : 5

Sheet: **HTRR09**

COVER DIMENSIONS AS PER E2/AS1

	SITUATION 1	SITUATION 2	SITUATION 3
	Low, Medium & High Wind Zones where roof pitch $\geq 10^\circ$	All roof pitches in Very High zone. Low, Medium & High Wind Zones where roof pitch $\leq 10^\circ$	All roof pitches in Extra High wind zone
X	130 MIN	200 MIN	200 MIN
Z	50 MIN	70 MIN	90 MIN



GENERAL NOTE

Install vented cavity battens where required to accommodate roof space ventilation pathways.

Cavity battens or timber framing that contain copper must be separated from steel cladding by a strip of wall or roof underlay or DPC.

Apron Transverse Detail

Rev: 1

Heritage Tray® Residential Roofing



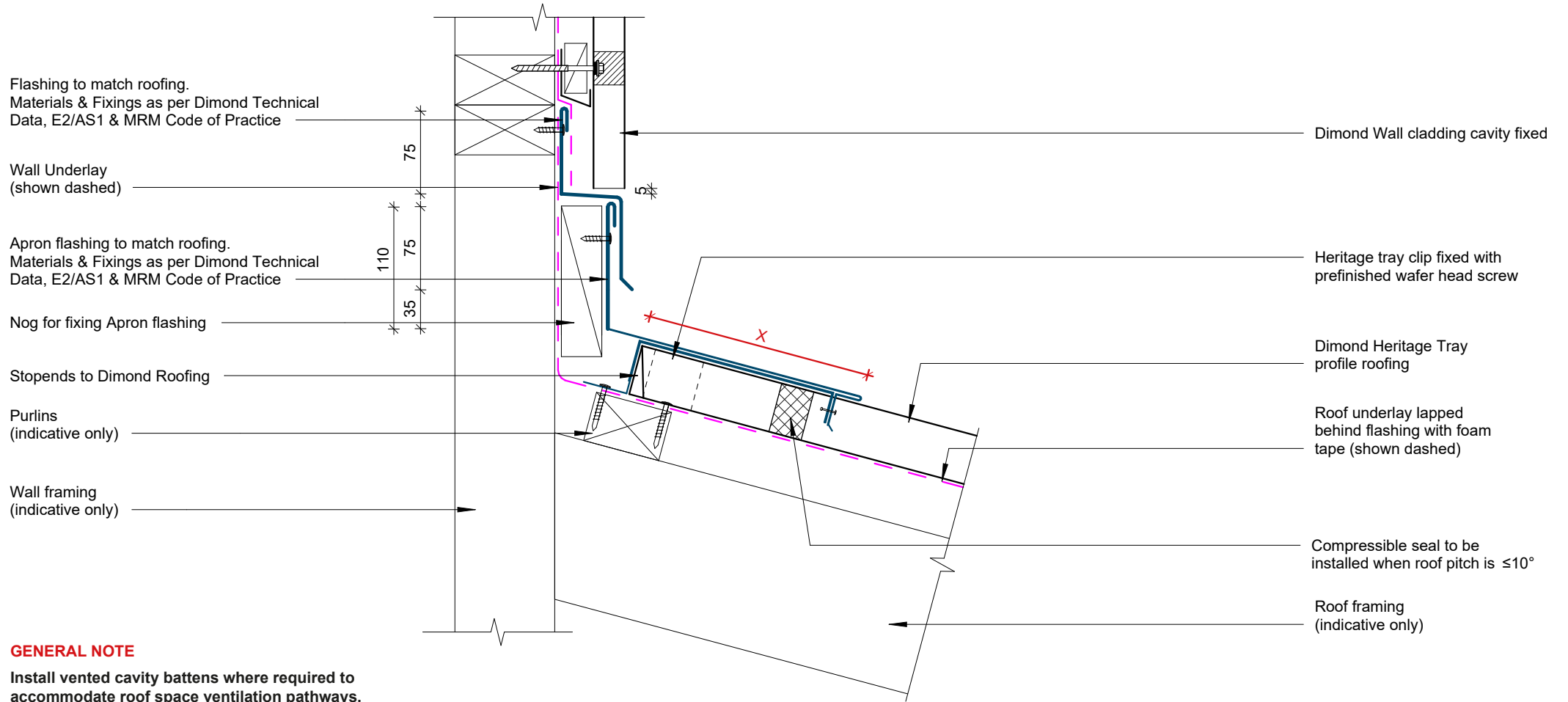
©Dimond 2023, all rights reserved. The information and specifications contained in this document are proprietary to Dimond and may not be used other than for the purpose of designing or building a roof or roofing system solely using products supplied or approved by Dimond ("Permitted Purpose"). You may copy this document solely for the Permitted Purpose, but may not otherwise copy, publish, distribute or modify this document without Dimond's prior written consent. Dimond will not be liable for any use of this document or information and specifications contained in this document, other than for the Permitted Purpose

Date: May 2025

Scale: 1 : 5

Sheet: **HTRR10**

COVER DIMENSIONS AS PER E2/AS1		
SITUATION 1	SITUATION 2	SITUATION 3
Low, Medium & High Wind Zones where roof pitch $\geq 10^\circ$	All roof pitches in Very High zone. Low, Medium & High Wind Zones where roof pitch $\leq 10^\circ$	All roof pitches in Extra High wind zone
X 130 MIN	200 MIN	200 MIN
Z 50 MIN	70 MIN	90 MIN



GENERAL NOTE

Install vented cavity battens where required to accommodate roof space ventilation pathways.

Cavity battens or timber framing that contain copper must be separated from steel cladding by a strip of wall or roof underlay or DPC.

Apron Transverse Two Piece Detail

COVER DIMENSIONS AS PER E2/AS1

	SITUATION 1	SITUATION 2	SITUATION 3
	Low, Medium & High Wind Zones where roof pitch $\geq 10^\circ$	All roof pitches in Very High zone. Low, Medium & High Wind Zones where roof pitch $\leq 10^\circ$	All roof pitches in Extra High wind zone
X	130 MIN	200 MIN	200 MIN
Z	50 MIN	70 MIN	90 MIN

Flashing to match roofing.
Materials & Fixings as per Dimond Technical Data, E2/AS1 & MRM Code of Practice

Dimond Heritage Tray profile roofing

Prefinished wafer head screw

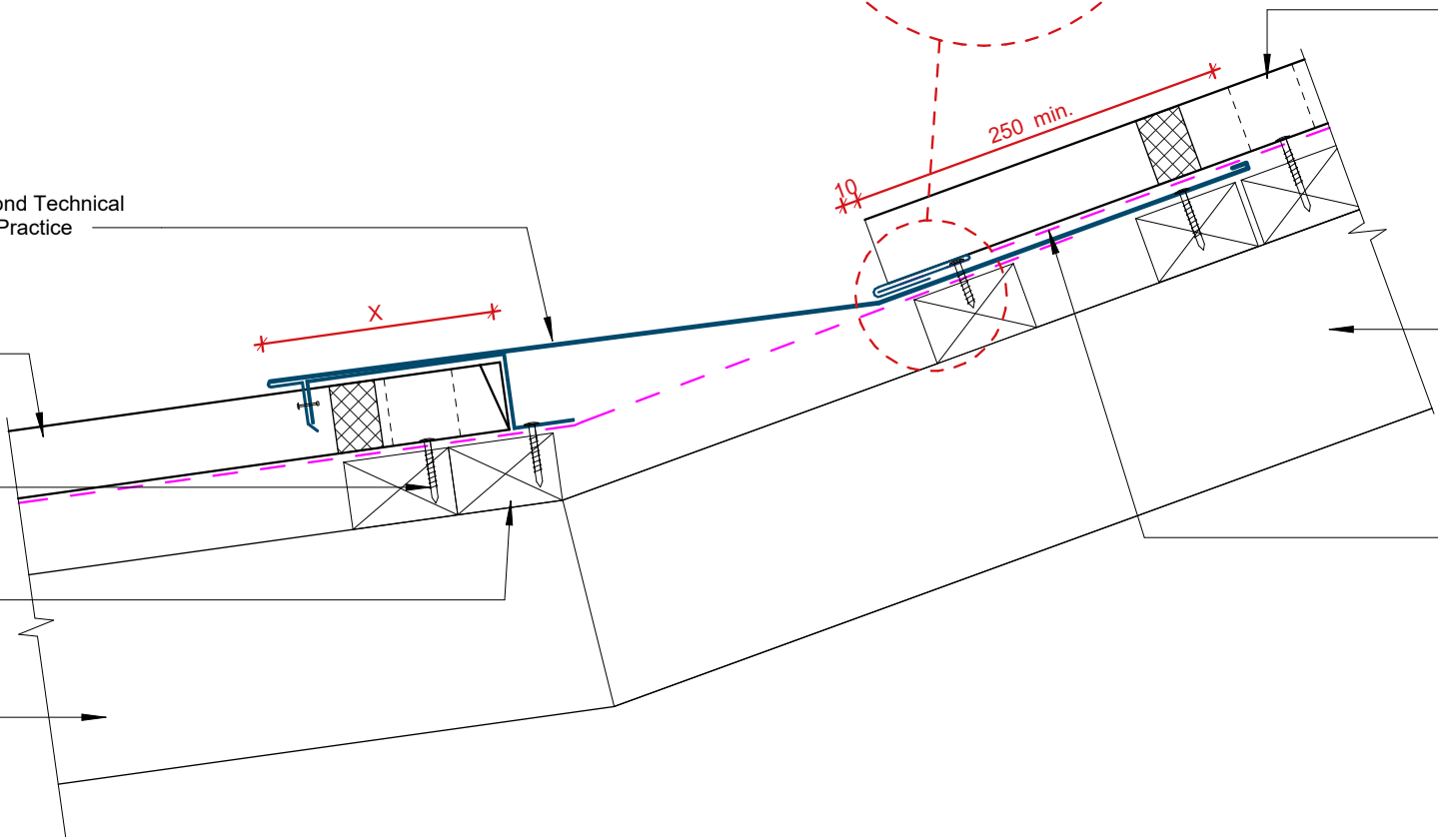
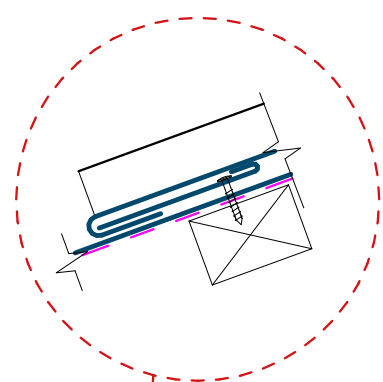
Purlins (indicative only)

Roof framing (indicative only)

Heritage tray clip fixed with prefinished wafer head screw

Roof framing (indicative only)

Roof underlay lapped over flashing with foam tape (shown dashed)



GENERAL NOTE

Install vented cavity battens where required to accommodate roof space ventilation pathways.

Change of Pitch Detail

Rev: 1

Heritage Tray® Residential Roofing



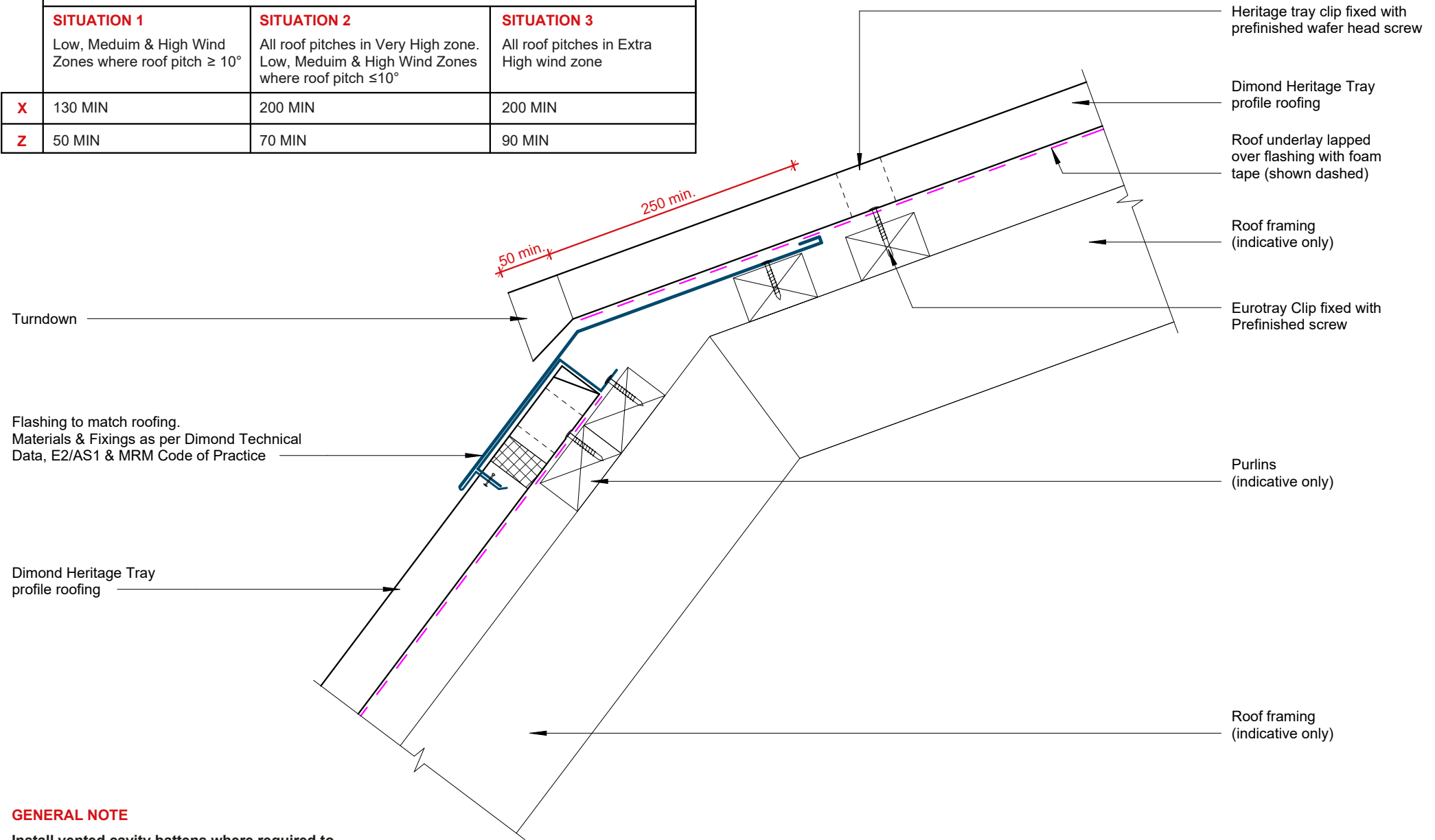
©Dimond 2023, all rights reserved. The information and specifications contained in this document are proprietary to Dimond and may not be used other than for the purpose of designing or building a roof or roofing system solely using products supplied or approved by Dimond ("Permitted Purpose"). You may copy this document solely for the Permitted Purpose, but may not otherwise copy, publish, distribute or modify this document without Dimond's prior written consent. Dimond will not be liable for any use of this document or information and specifications contained in this document, other than for the Permitted Purpose

Date: May 2025

Scale: 1 : 5

Sheet: **HTRR12**

COVER DIMENSIONS AS PER E2/AS1		
SITUATION 1	SITUATION 2	SITUATION 3
Low, Medium & High Wind Zones where roof pitch $\geq 10^\circ$	All roof pitches in Very High zone. Low, Medium & High Wind Zones where roof pitch $\leq 10^\circ$	All roof pitches in Extra High wind zone
X 130 MIN	200 MIN	200 MIN
Z 50 MIN	70 MIN	90 MIN

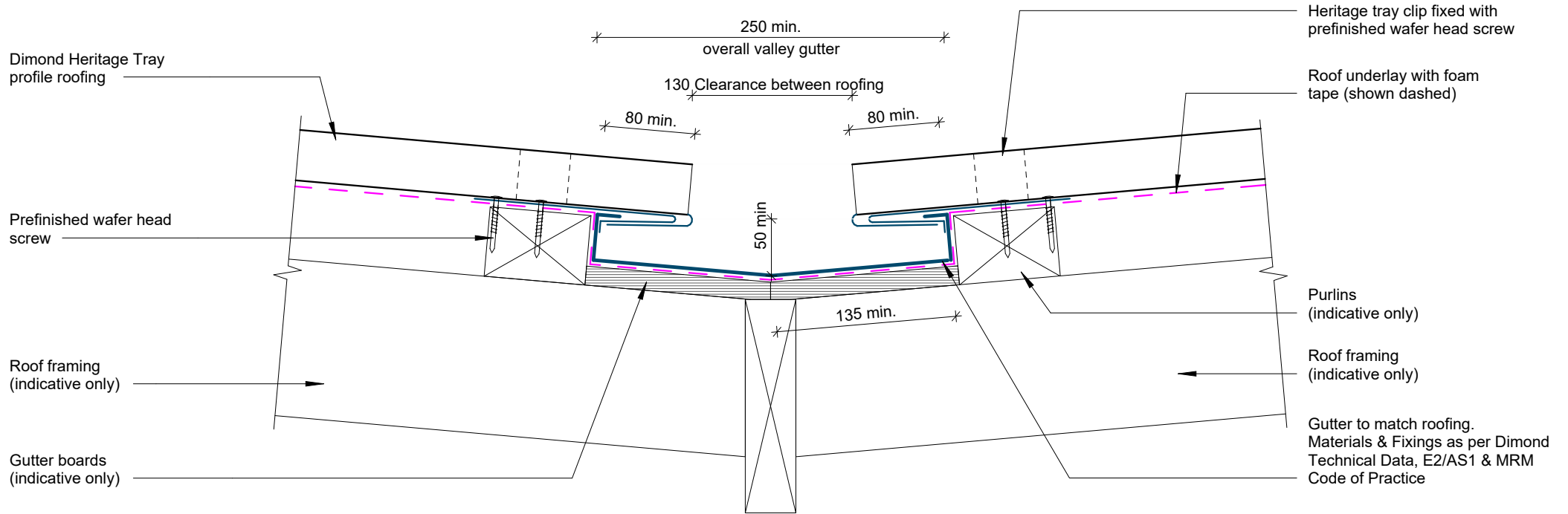


GENERAL NOTE

Install vented cavity battens where required to accommodate roof space ventilation pathways.

Mansard Detail

Refer to New Zealand metal roof manufacturers code of practice for design & minimum dimensions for valley gutter.

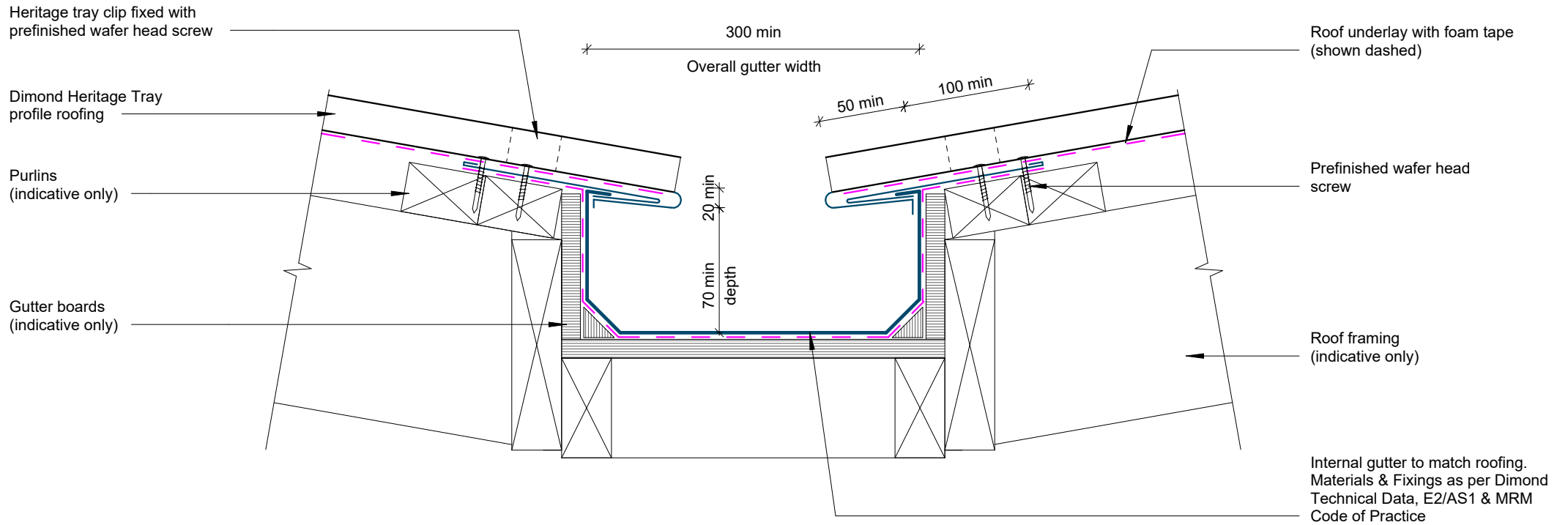


GENERAL NOTE

Install vented cavity battens where required to accommodate roof space ventilation pathways.

Valley Detail

Gutter size to E2/AS1 or MRM Code of practice.
Refer to New Zealand metal roof manufacturers code of practice for design & minimum dimensions.



GENERAL NOTE

Install vented cavity battens where required to accommodate roof space ventilation pathways.

Internal Gutter Detail



©Dimond 2023, all rights reserved. The information and specifications contained in this document are proprietary to Dimond and may not be used other than for the purpose of designing or building a roof or roofing system solely using products supplied or approved by Dimond ("Permitted Purpose"). You may copy this document solely for the Permitted Purpose, but may not otherwise copy, publish, distribute or modify this document without Dimond's prior written consent. Dimond will not be liable for any use of this document or information and specifications contained in this document, other than for the Permitted Purpose

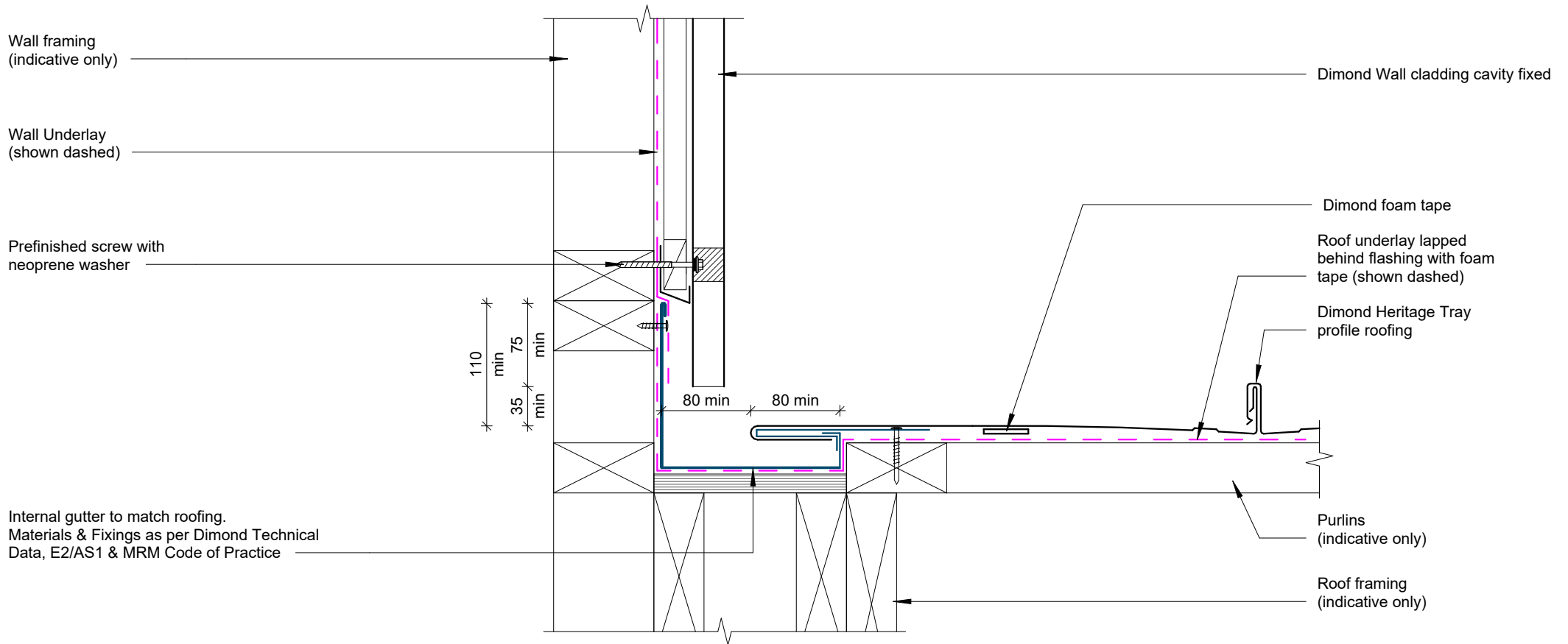
Rev: 1

Heritage Tray® Residential Roofing

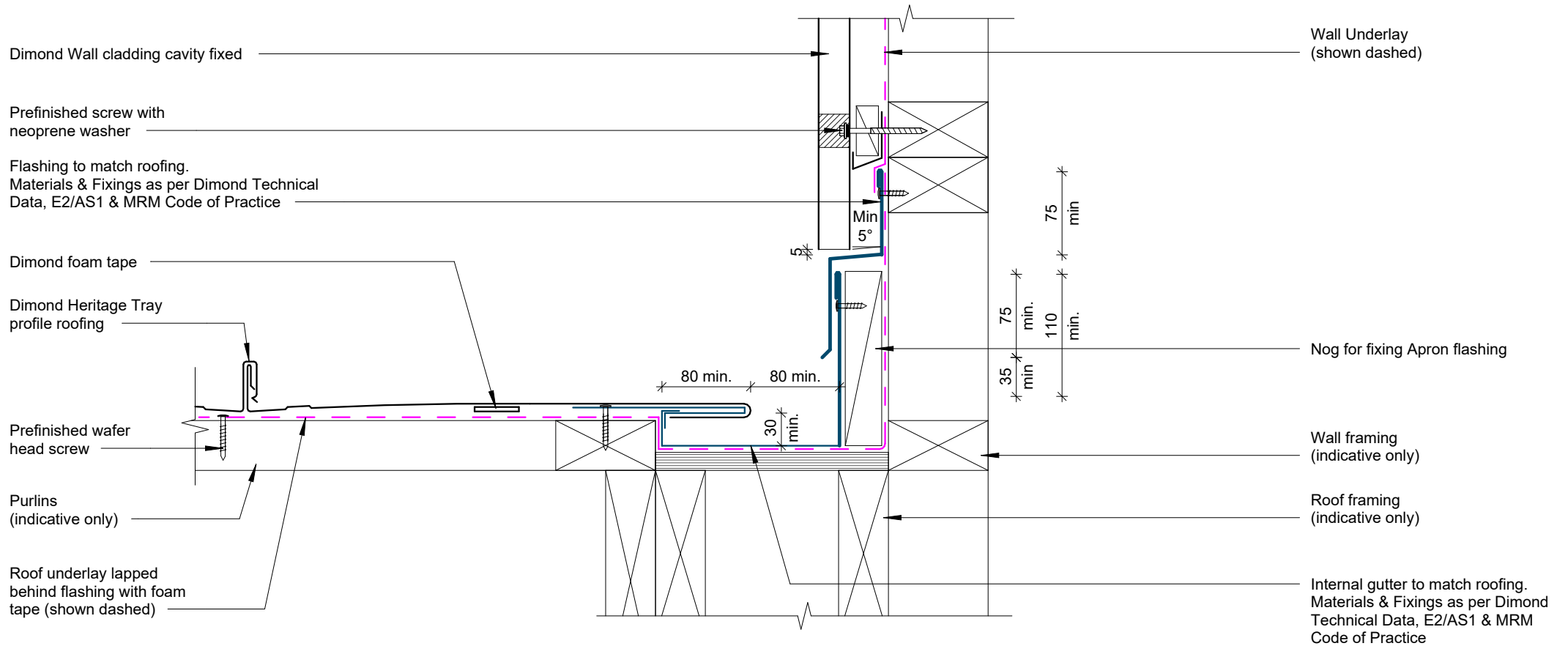
Date: May 2025

Scale: 1 : 5

Sheet: HTRR15



Parallel Hidden Gutter Detail



GENERAL NOTE

Install vented cavity battens where required to accommodate roof space ventilation pathways.

Parallel Hidden Gutter Two Piece Detail



©Dimond 2023, all rights reserved. The information and specifications contained in this document are proprietary to Dimond and may not be used other than for the purpose of designing or building a roof or roofing system solely using products supplied or approved by Dimond ("Permitted Purpose"). You may copy this document solely for the Permitted Purpose, but may not otherwise copy, publish, distribute or modify this document without Dimond's prior written consent. Dimond will not be liable for any use of this document or information and specifications contained in this document, other than for the Permitted Purpose

Rev: 1

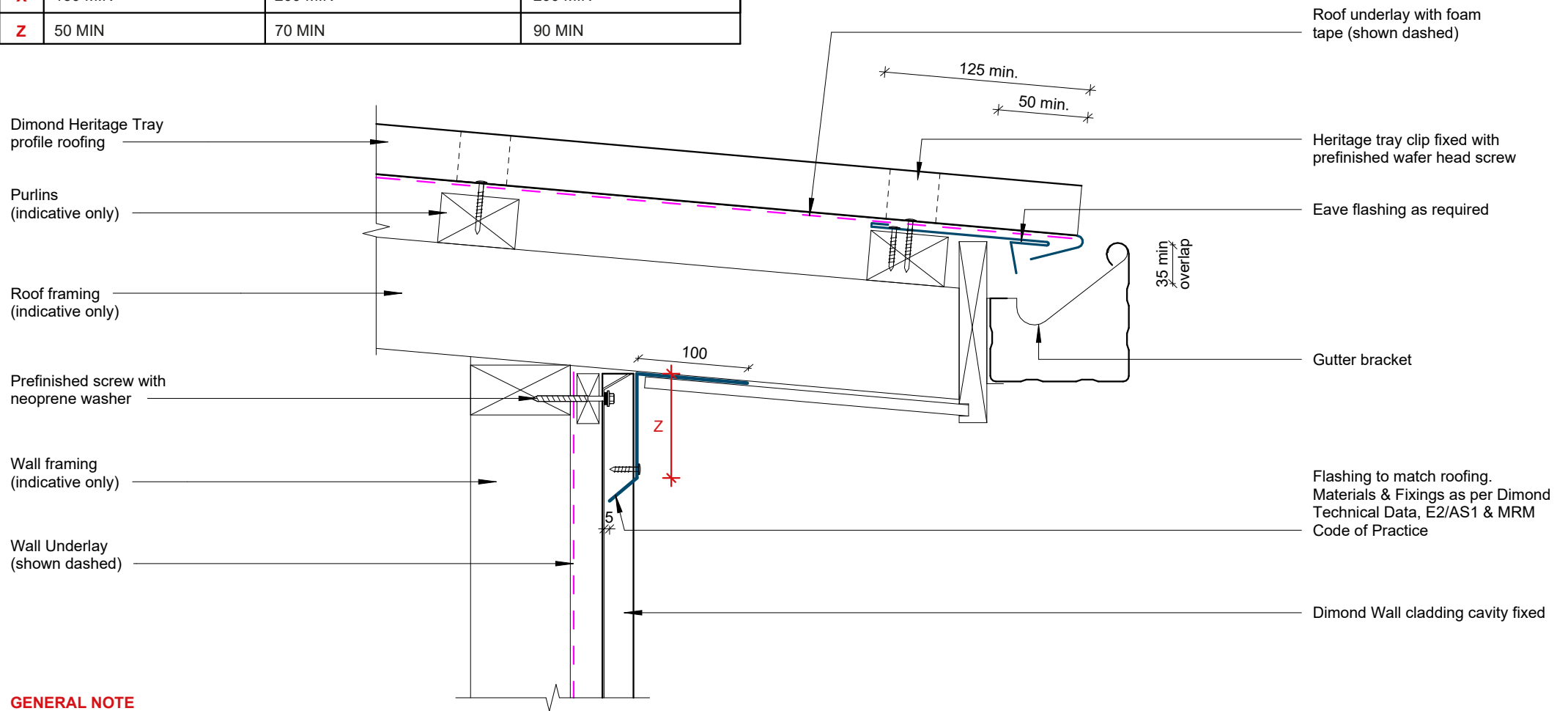
Heritage Tray® Residential Roofing

Date: May 2025

Scale: 1 : 5

Sheet: **HTRR17**

COVER DIMENSIONS AS PER E2/AS1		
SITUATION 1	SITUATION 2	SITUATION 3
Low, Medium & High Wind Zones where roof pitch $\geq 10^\circ$	All roof pitches in Very High zone. Low, Medium & High Wind Zones where roof pitch $\leq 10^\circ$	All roof pitches in Extra High wind zone
X 130 MIN	200 MIN	200 MIN
Z 50 MIN	70 MIN	90 MIN



GENERAL NOTE

Install vented cavity battens where required to accommodate roof space ventilation pathways.

Cavity battens or timber framing that contain copper must be separated from steel cladding by a strip of wall or roof underlay or DPC.

Eave Detail

COVER DIMENSIONS AS PER E2/AS1

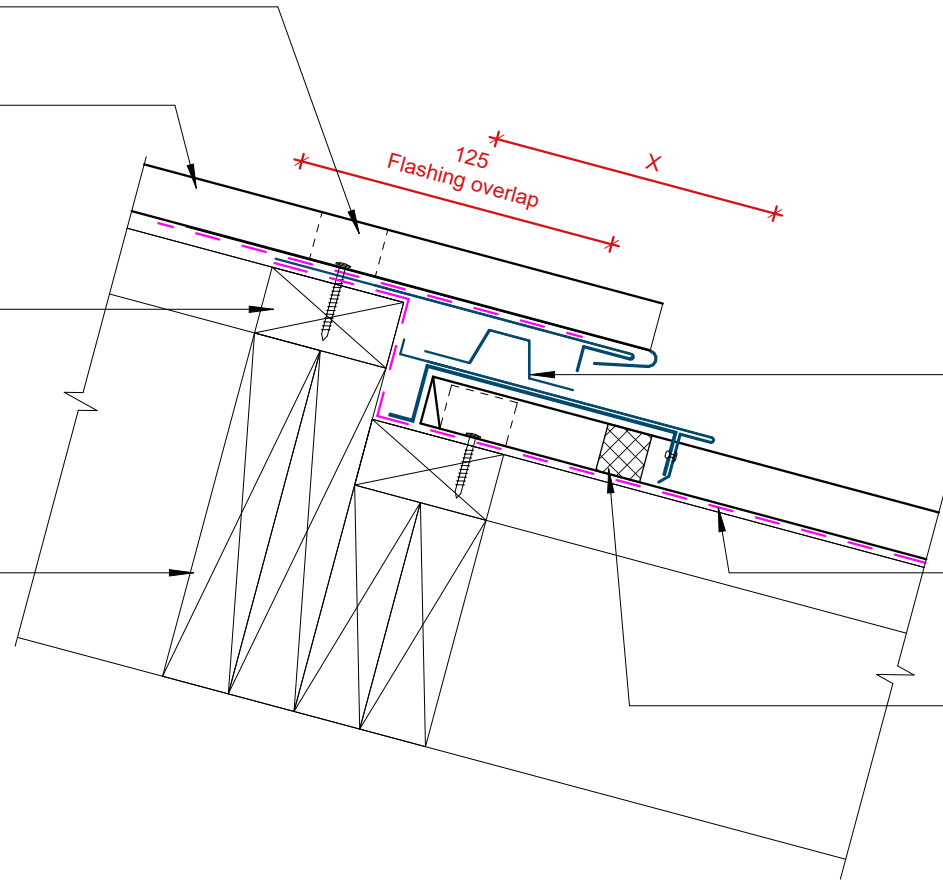
	SITUATION 1	SITUATION 2	SITUATION 3
	Low, Medium & High Wind Zones where roof pitch $\geq 10^\circ$	All roof pitches in Very High zone. Low, Medium & High Wind Zones where roof pitch $\leq 10^\circ$	All roof pitches in Extra High wind zone
X	130 MIN	200 MIN	200 MIN
Z	50 MIN	70 MIN	90 MIN

Eurotray Clip fixed with countersunk head screws

Dimond Heritage Tray profile roofing

Purlins (indicative only)

Roof framing (indicative only)



Step support flashing to match roofing. Materials & Fixings as per Dimond Technical Data, E2/AS1 & MRM Code of Practice

Ventilated roof underlay (shown dashed)

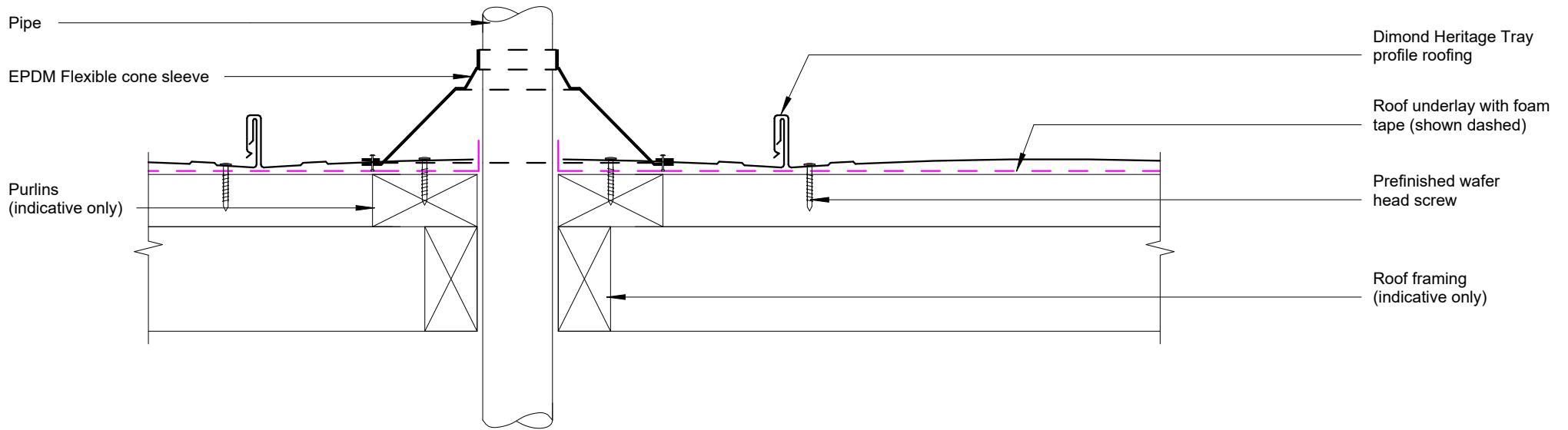
Compressible seal to be installed when roof pitch is $\leq 10^\circ$

GENERAL NOTE

Install vented cavity battens where required to accommodate roof space ventilation pathways.

Step in roofing Detail

Note:
Min 3° for pipe penetration with a Boot flashing.
Refer MRM code of practice



GENERAL NOTE

Install vented cavity battens where required to accommodate roof space ventilation pathways.

Pipe Penetration Direct Fix Detail

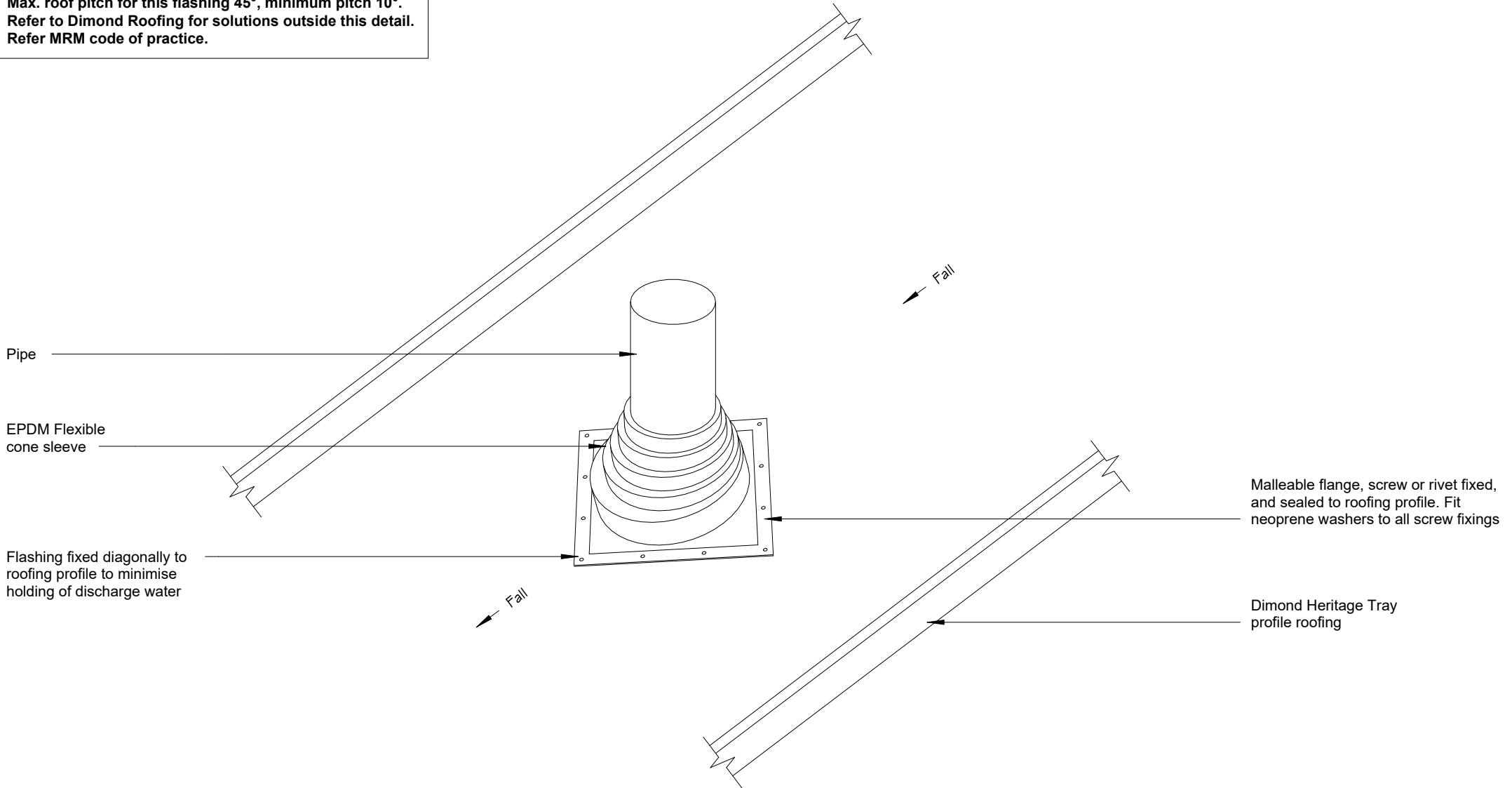
Note:

Suitable for pipes up to 85 diameter.

Max. roof pitch for this flashing 45°, minimum pitch 10°.

Refer to Dimond Roofing for solutions outside this detail.

Refer MRM code of practice.

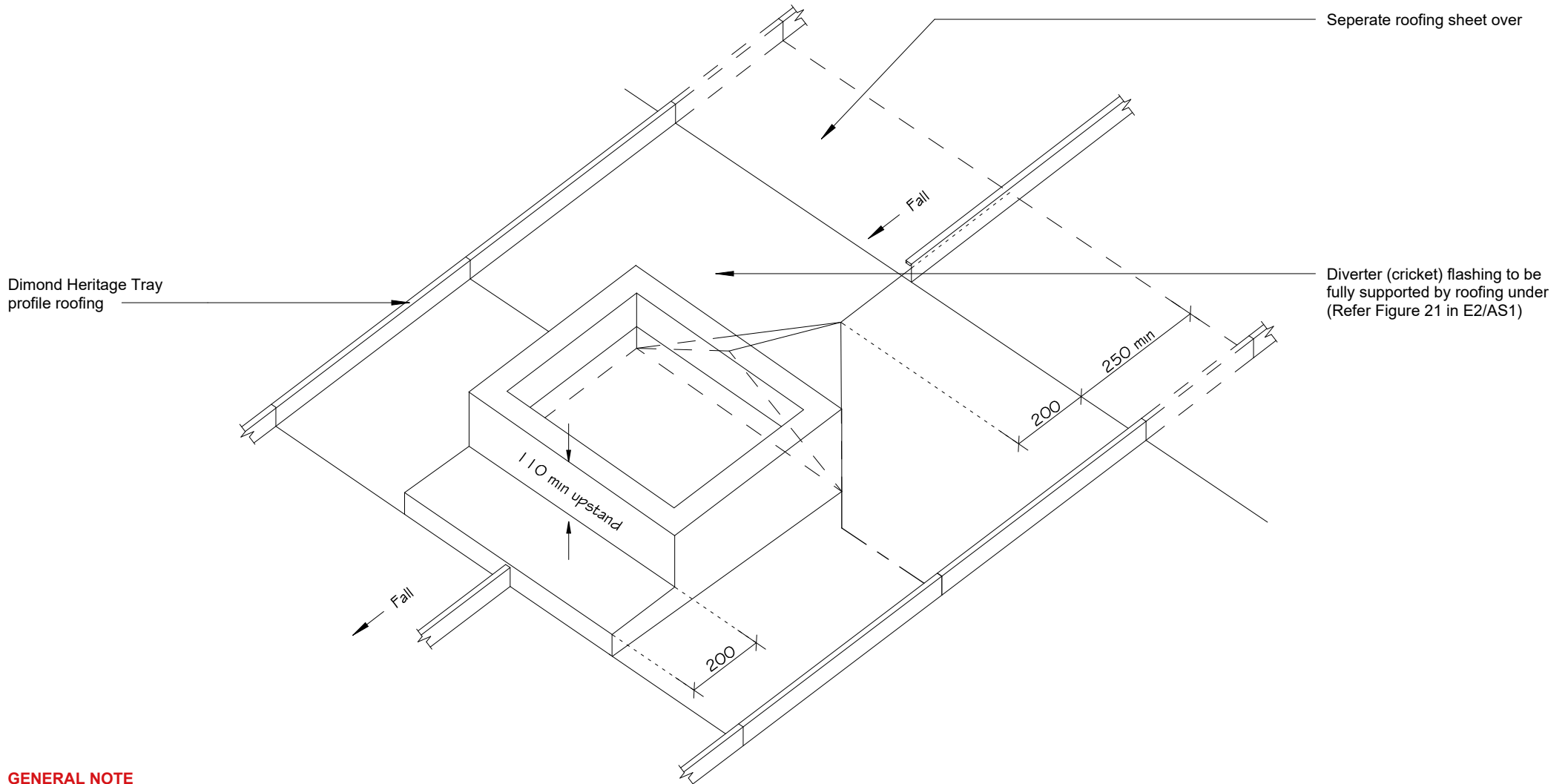


GENERAL NOTE

Install vented cavity battens where required to accommodate roof space ventilation pathways.

Penetration 3D Detail

Note:
Suitable for minimum roof pitch of 3°.
Refer MRM code of practice.



GENERAL NOTE

Install vented cavity battens where required to accommodate roof space ventilation pathways.

Large penetration 3D Detail