

# EUROTRAY® ROLL SEAM

## RESIDENTIAL ROOFING

### DETAILS:

### REV: DATE:

ERSRR00	Cover Sheet	1	May 2025
ERSRR01	Ridge Flashing Detail	1	May 2025
ERSRR02	Barge Wall Detail	1	May 2025
ERSRR03	Barge Soffit Detail	1	May 2025
ERSRR04	Raking Head Flashing Detail	1	May 2025
ERSRR05	Sawtooth Wall Detail	1	May 2025
ERSRR06	Sawtooth Soffit Detail	1	May 2025
ERSRR07	Parapet Apron Detail	1	May 2025
ERSRR08	Apron Parallel Detail	1	May 2025
ERSRR09	Apron Parallel Two Piece Detail	1	May 2025
ERSRR10	Apron Transverse Detail	1	May 2025
ERSRR11	Apron Transverse Two Piece Detail	1	May 2025
ERSRR12	Change of Pitch Detail	1	May 2025
ERSRR13	Mansard Detail	1	May 2025
ERSRR14	Valley Detail	1	May 2025
ERSRR15	Internal Gutter Detail	1	May 2025
ERSRR16	Parallel Hidden Gutter Detail	1	May 2025
ERSRR17	Parallel Hidden Gutter Two Piece Detail	1	May 2025
ERSRR18	Eave Detail	1	May 2025
ERSRR19	Step in roofing Detail	1	May 2025
ERSRR20	Pipe Penetration Direct Fix Detail	1	May 2025
ERSRR21	Penetration 3D Detail	1	May 2025
ERSRR22	Large penetration 3D Detail	1	May 2025

Drawing Version: 1



**COVER DIMENSIONS AS PER E2/AS1**

	<b>SITUATION 1</b> Low, Medium & High Wind Zones where roof pitch $\geq 10^\circ$	<b>SITUATION 2</b> All roof pitches in Very High zone. Low, Medium & High Wind Zones where roof pitch $\leq 10^\circ$	<b>SITUATION 3</b> All roof pitches in Extra High wind zone
<b>X</b>	130 MIN	200 MIN	200 MIN
<b>Z</b>	50 MIN	70 MIN	90 MIN

Ridge flashing & under flashing to match roofing.  
Materials & Fixings as per Dimond Technical Data, E2/AS1 & MRM Code of Practice

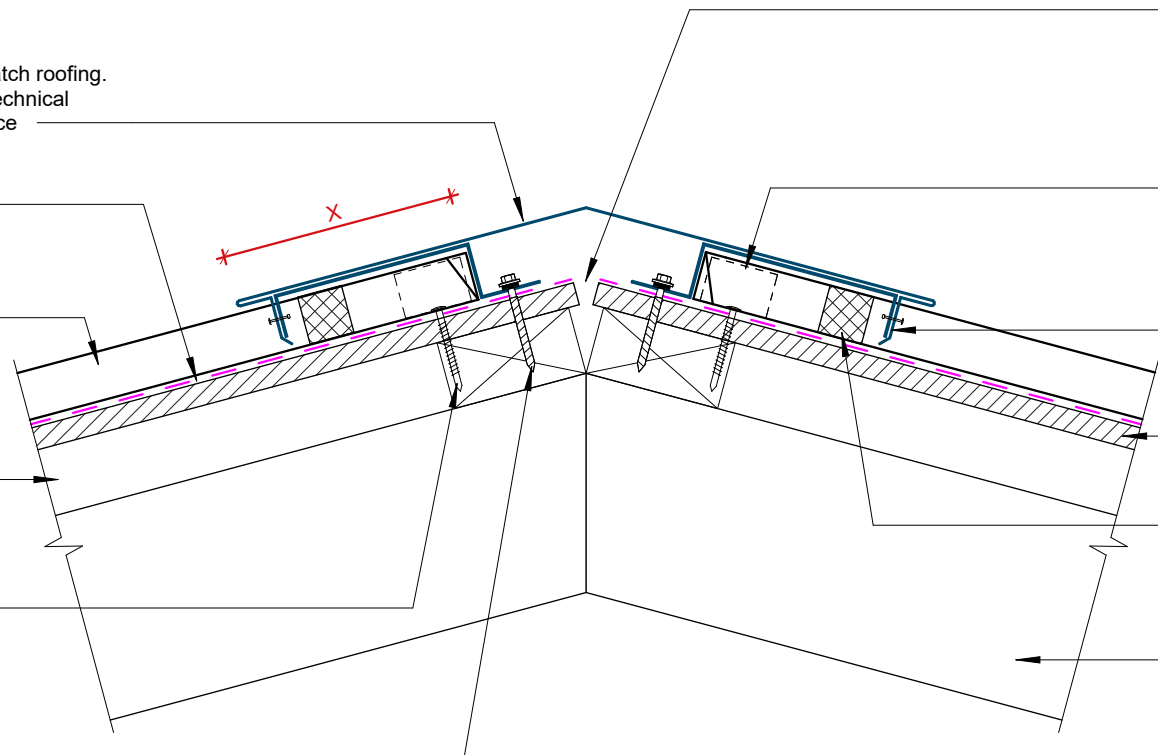
Vented roof underlay (shown dashed)

Dimond Eurotray Roll Seam Tray profile roofing

Purlins (indicative only)

Prefinished screw

Prefinished screw with neoprene washer



Ensure 10mm venting gap to the vented roof underlay & cavity under plywood substrate

Eurotray Clip fixed with countersunk head screws

Notched ridge flashing

H3.1 CD Plywood substrate

Compressible seal to be installed when roof pitch is  $\leq 10^\circ$

Roof framing (indicative only)

**GENERAL NOTE**

Install vented cavity battens where required to accommodate roof space ventilation pathways.

# Ridge Flashing Detail

Rev: 1 Eurotray Roll Seam Residential Roofing



©Dimond 2023, all rights reserved. The information and specifications contained in this document are proprietary to Dimond and may not be used other than for the purpose of designing or building a roof or roofing system solely using products supplied or approved by Dimond ("Permitted Purpose"). You may copy this document solely for the Permitted Purpose, but may not otherwise copy, publish, distribute or modify this document without Dimond's prior written consent. Dimond will not be liable for any use of this document or information and specifications contained in this document, other than for the Permitted Purpose

Date: May 2025 Scale: 1 : 5 Sheet: ERSRR01

**COVER DIMENSIONS AS PER E2/AS1**

	<b>SITUATION 1</b>	<b>SITUATION 2</b>	<b>SITUATION 3</b>
	Low, Medium & High Wind Zones where roof pitch $\geq 10^\circ$	All roof pitches in Very High zone. Low, Medium & High Wind Zones where roof pitch $\leq 10^\circ$	All roof pitches in Extra High wind zone
<b>X</b>	130 MIN	200 MIN	200 MIN
<b>Z</b>	50 MIN	70 MIN	90 MIN

Barge flashing to match roofing.  
Materials & Fixings as per Dimond Technical Data, E2/AS1 & MRM Code of Practice

Under flashing to match roofing.  
Materials & Fixings as per Dimond Technical Data, E2/AS1 & MRM Code of Practice

Prefinished screw

Dimond Wall cladding cavity fixed

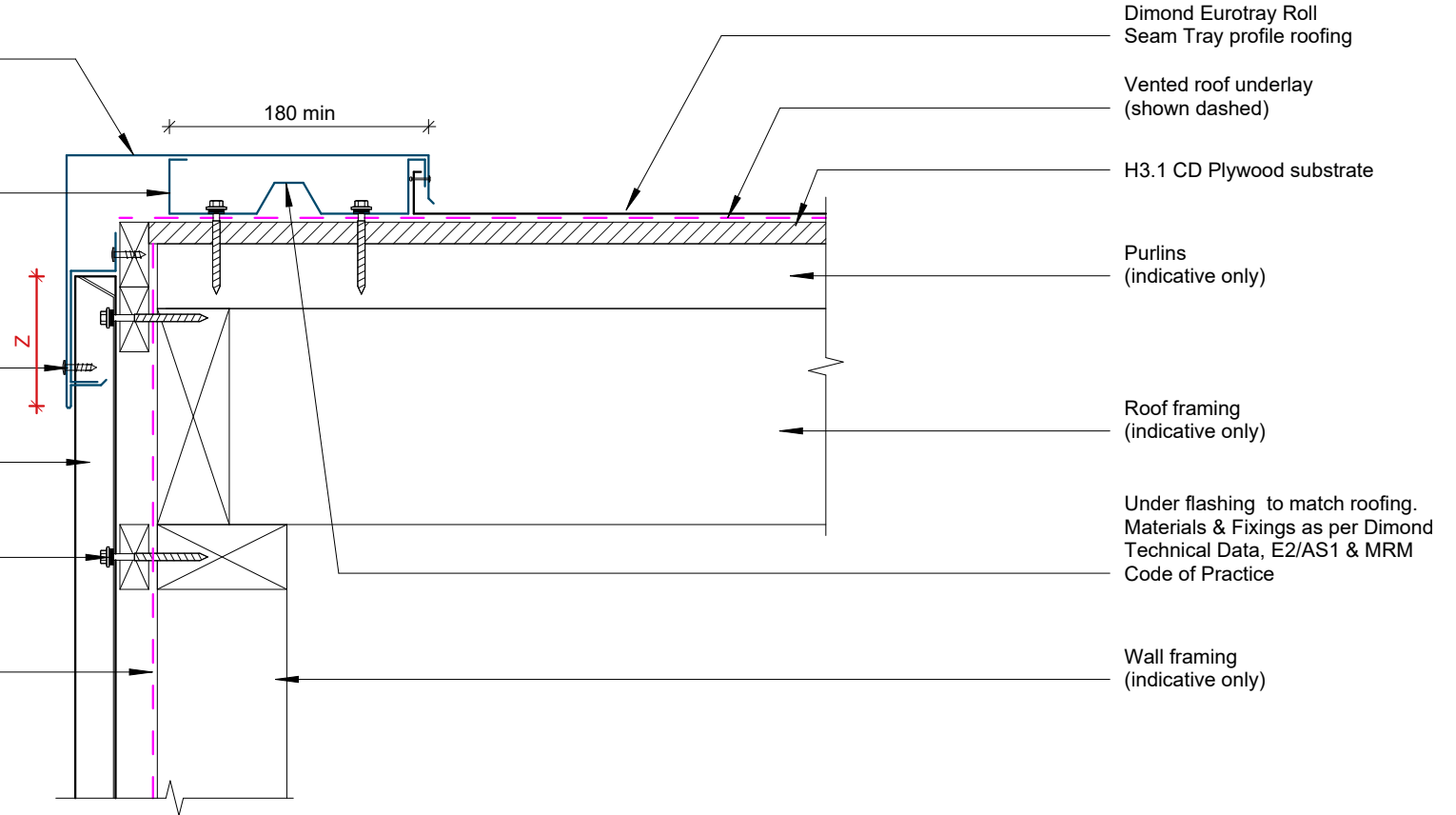
Prefinished screw with neoprene washer

Wall Underlay (shown dashed)

**GENERAL NOTE**

Install vented cavity battens where required to accommodate roof space ventilation pathways.

Cavity battens or timber framing that contain copper must be separated from steel cladding by a strip of wall or roof underlay or DPC.

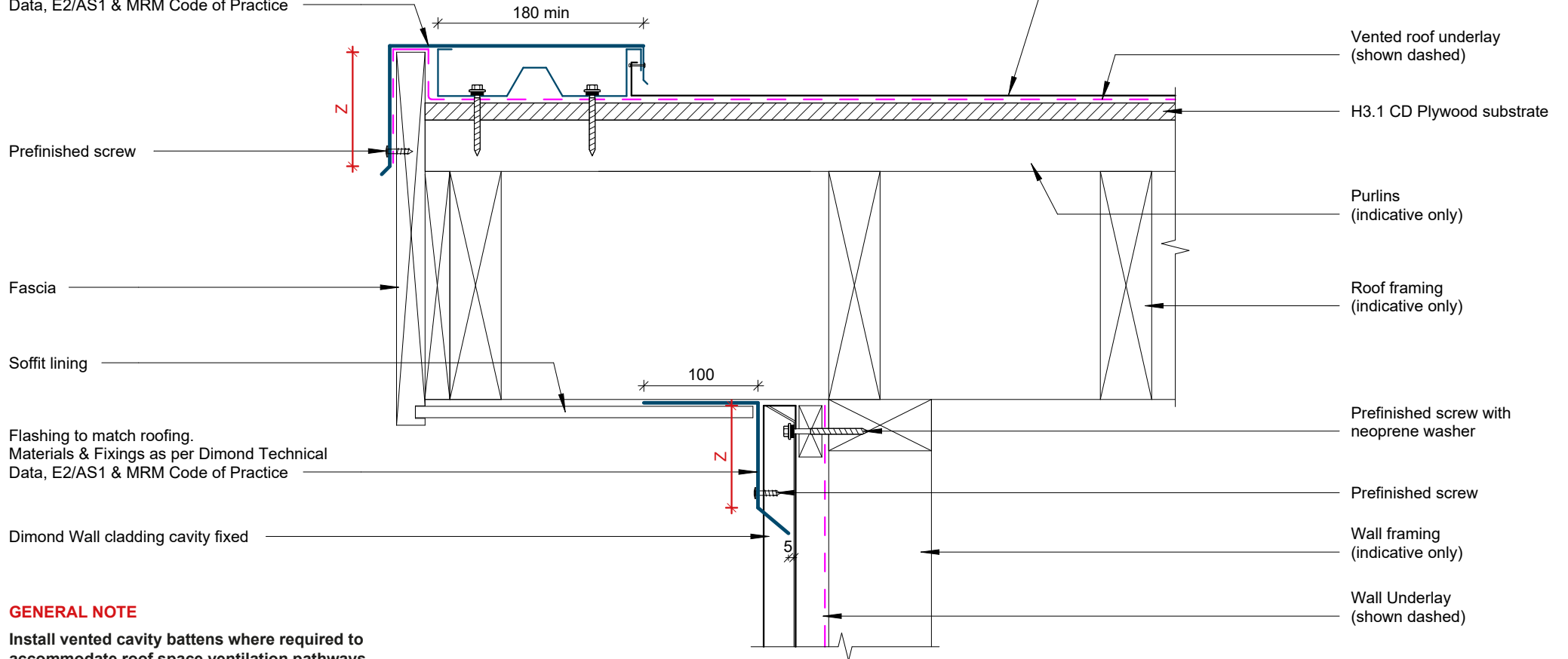


# Barge Wall Detail

**COVER DIMENSIONS AS PER E2/AS1**

	<b>SITUATION 1</b>	<b>SITUATION 2</b>	<b>SITUATION 3</b>
	Low, Medium & High Wind Zones where roof pitch $\geq 10^\circ$	All roof pitches in Very High zone. Low, Medium & High Wind Zones where roof pitch $\leq 10^\circ$	All roof pitches in Extra High wind zone
<b>X</b>	130 MIN	200 MIN	200 MIN
<b>Z</b>	50 MIN	70 MIN	90 MIN

Barge flashing to match roofing.  
Materials & Fixings as per Dimond Technical Data, E2/AS1 & MRM Code of Practice



**GENERAL NOTE**

Install vented cavity battens where required to accommodate roof space ventilation pathways.

Cavity battens or timber framing that contain copper must be separated from steel cladding by a strip of wall or roof underlay or DPC.

# Barge Soffit Detail

Rev: 1 Eurotray Roll Seam Residential Roofing



©Dimond 2023, all rights reserved. The information and specifications contained in this document are proprietary to Dimond and may not be used other than for the purpose of designing or building a roof or roofing system solely using products supplied or approved by Dimond ("Permitted Purpose"). You may copy this document solely for the Permitted Purpose, but may not otherwise copy, publish, distribute or modify this document without Dimond's prior written consent. Dimond will not be liable for any use of this document or information and specifications contained in this document, other than for the Permitted Purpose

Date: May 2025 Scale: 1 : 5 Sheet: ERSRR03

**COVER DIMENSIONS AS PER E2/AS1**

	<b>SITUATION 1</b> Low, Medium & High Wind Zones where roof pitch $\geq 10^\circ$	<b>SITUATION 2</b> All roof pitches in Very High zone. Low, Medium & High Wind Zones where roof pitch $\leq 10^\circ$	<b>SITUATION 3</b> All roof pitches in Extra High wind zone
<b>X</b>	130 MIN	200 MIN	200 MIN
<b>Z</b>	50 MIN	70 MIN	90 MIN

Barge flashing to match roofing.

Materials & Fixings as per Dimond Technical Data, E2/AS1 & MRM Code of Practice

H3.1 CD Plywood substrate

Prefinished screw

Fascia

Prefinished screw with neoprene washer

Eurotray Clip fixed with countersunk head screws

Soffit lining

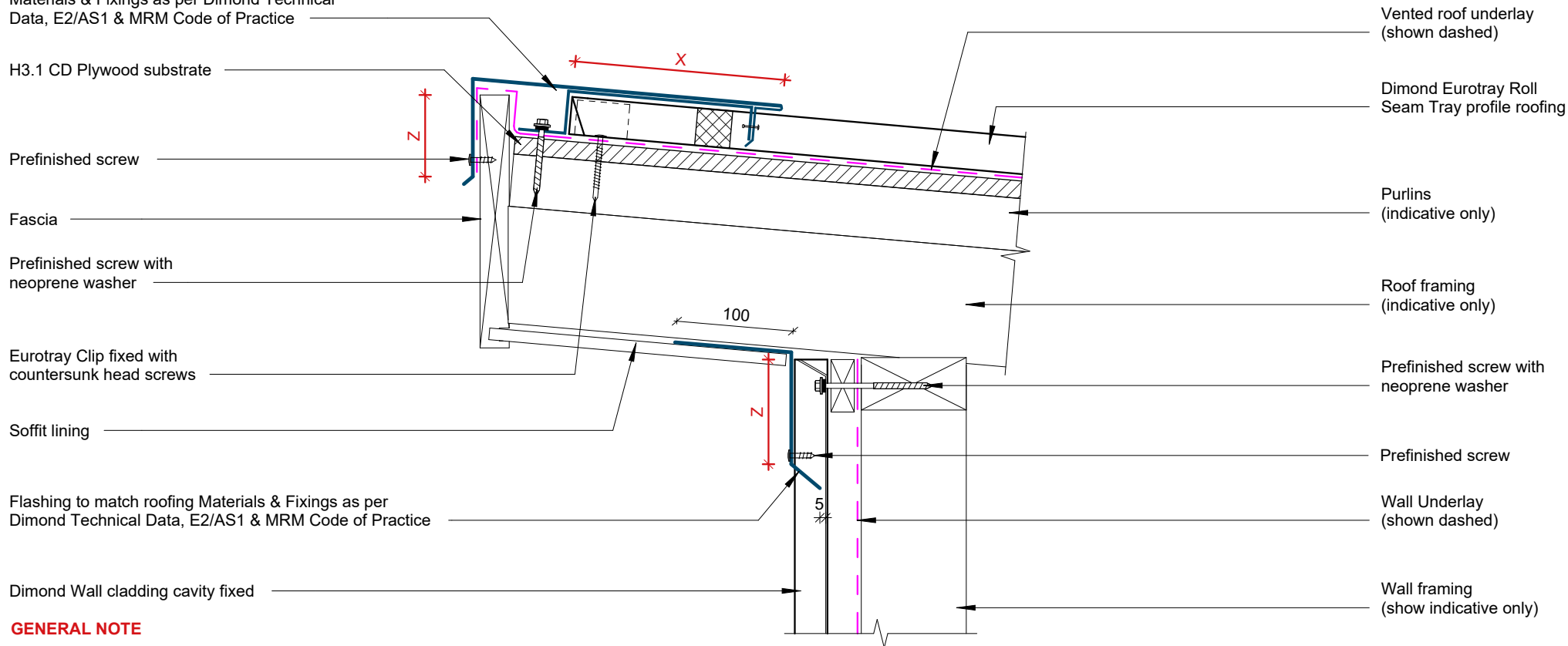
Flashing to match roofing Materials & Fixings as per Dimond Technical Data, E2/AS1 & MRM Code of Practice

Dimond Wall cladding cavity fixed

**GENERAL NOTE**

Install vented cavity battens where required to accommodate roof space ventilation pathways.

Cavity battens or timber framing that contain copper must be separated from steel cladding by a strip of wall or roof underlay or DPC.



Vented roof underlay (shown dashed)

Dimond Eurotray Roll Seam Tray profile roofing

Purlins (indicative only)

Roof framing (indicative only)

Prefinished screw with neoprene washer

Prefinished screw

Wall Underlay (shown dashed)

Wall framing (shown indicative only)

## Raking Head Flashing Detail

Rev: 1 Eurotray Roll Seam Residential Roofing

**COVER DIMENSIONS AS PER E2/AS1**

	<b>SITUATION 1</b>	<b>SITUATION 2</b>	<b>SITUATION 3</b>
	Low, Medium & High Wind Zones where roof pitch $\geq 10^\circ$	All roof pitches in Very High zone. Low, Medium & High Wind Zones where roof pitch $\leq 10^\circ$	All roof pitches in Extra High wind zone
<b>X</b>	130 MIN	200 MIN	200 MIN
<b>Z</b>	50 MIN	70 MIN	90 MIN

Eurotray Clip fixed with countersunk head screws

Prefinished screw with neoprene washer

Prefinished screw

Flashing to match roofing. Materials & Fixings as per Dimond Technical Data, E2/AS1 & MRM Code of Practice

Wall Underlay (shown dashed)

Dimond Wall cladding cavity fixed

Prefinished screw with neoprene washer

Dimond Eurotray Roll Seam Tray profile roofing

Vented roof underlay (shown dashed)

H3.1 CD Plywood substrate

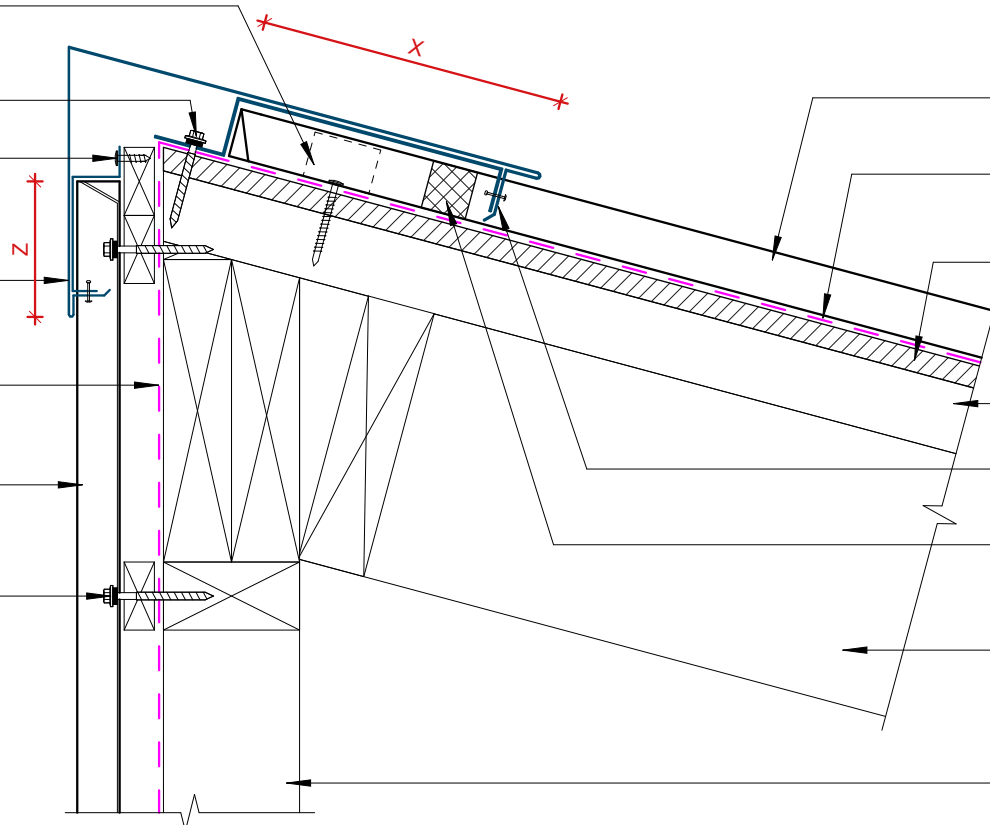
Purlins (indicative only)

Notched flashing

Compressible seal to be installed when roof pitch is  $\leq 10^\circ$

Roof framing (indicative only)

Wall framing (shown indicative only)



**GENERAL NOTE**

Install vented cavity battens where required to accommodate roof space ventilation pathways.

Cavity battens or timber framing that contain copper must be separated from steel cladding by a strip of wall or roof underlay or DPC.

# Sawtooth Wall Detail

Rev: 1 Eurotray Roll Seam Residential Roofing



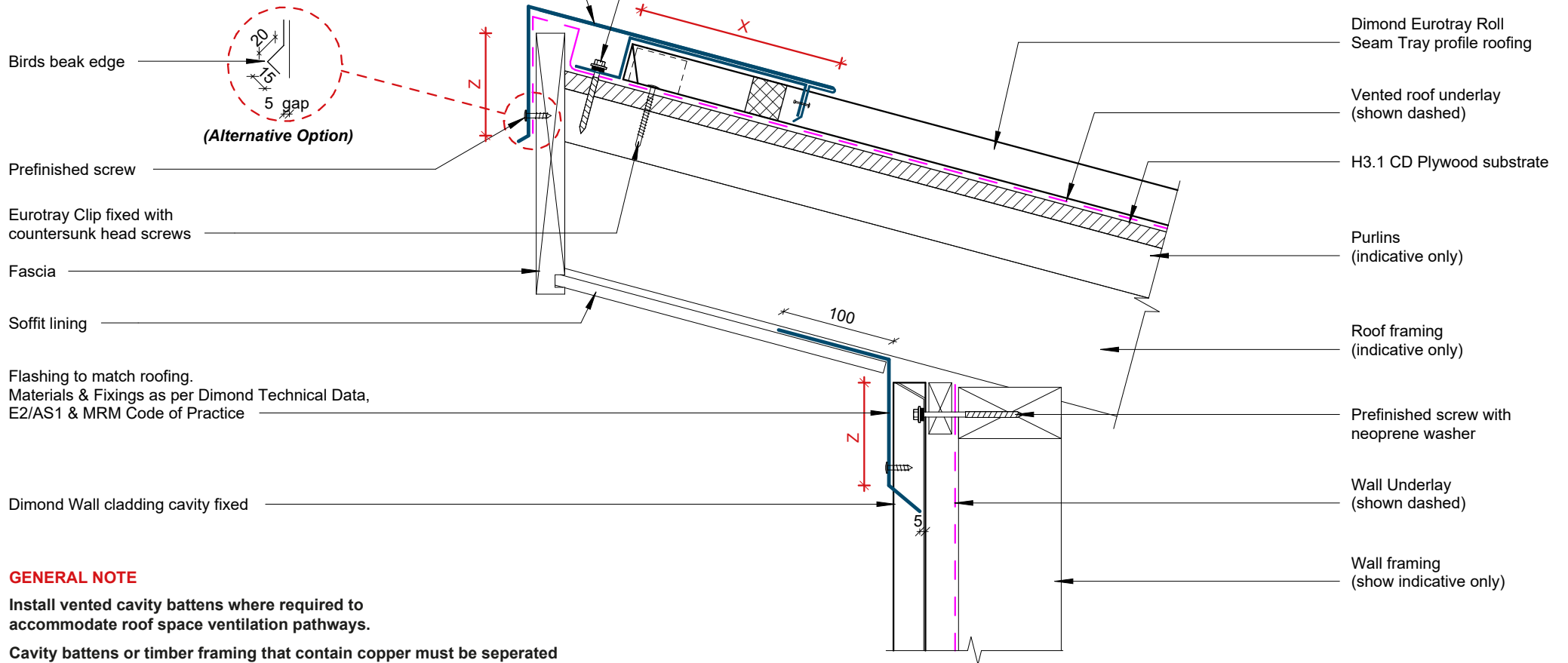
©Dimond 2023, all rights reserved. The information and specifications contained in this document are proprietary to Dimond and may not be used other than for the purpose of designing or building a roof or roofing system solely using products supplied or approved by Dimond ("Permitted Purpose"). You may copy this document solely for the Permitted Purpose, but may not otherwise copy, publish, distribute or modify this document without Dimond's prior written consent. Dimond will not be liable for any use of this document or information and specifications contained in this document, other than for the Permitted Purpose

Date: May 2025 Scale: 1 : 5 Sheet: ERSRR05

**COVER DIMENSIONS AS PER E2/AS1**

	<b>SITUATION 1</b>	<b>SITUATION 2</b>	<b>SITUATION 3</b>
	Low, Medium & High Wind Zones where roof pitch $\geq 10^\circ$	All roof pitches in Very High zone. Low, Medium & High Wind Zones where roof pitch $\leq 10^\circ$	All roof pitches in Extra High wind zone
<b>X</b>	130 MIN	200 MIN	200 MIN
<b>Z</b>	50 MIN	70 MIN	90 MIN

Flashing to match roofing.  
Materials & Fixings as per Dimond Technical Data, E2/AS1 & MRM Code of Practice



Flashing to match roofing.  
Materials & Fixings as per Dimond Technical Data, E2/AS1 & MRM Code of Practice

Dimond Wall cladding cavity fixed

**GENERAL NOTE**

Install vented cavity battens where required to accommodate roof space ventilation pathways.

Cavity battens or timber framing that contain copper must be separated from steel cladding by a strip of wall or roof underlay or DPC.

# Sawtooth Soffit Detail

Rev: 1 Eurotray Roll Seam Residential Roofing



©Dimond 2023, all rights reserved. The information and specifications contained in this document are proprietary to Dimond and may not be used other than for the purpose of designing or building a roof or roofing system solely using products supplied or approved by Dimond ("Permitted Purpose"). You may copy this document solely for the Permitted Purpose, but may not otherwise copy, publish, distribute or modify this document without Dimond's prior written consent. Dimond will not be liable for any use of this document or information and specifications contained in this document, other than for the Permitted Purpose

Date: May 2025 Scale: 1 : 5 Sheet: ERSRR06

**COVER DIMENSIONS AS PER E2/AS1**

	<b>SITUATION 1</b> Low, Medium & High Wind Zones where roof pitch $\geq 10^\circ$	<b>SITUATION 2</b> All roof pitches in Very High zone. Low, Medium & High Wind Zones where roof pitch $\leq 10^\circ$	<b>SITUATION 3</b> All roof pitches in Extra High wind zone
<b>X</b>	130 MIN	200 MIN	200 MIN
<b>Z</b>	50 MIN	70 MIN	90 MIN

Parapet cap flashing to match roofing. Materials & Fixings as per Dimond Technical Data, E2/AS1 & MRM Code of Practice

Prefinished screw

Timber nog for fixing apron flashing

H3.1 CD Plywood substrate

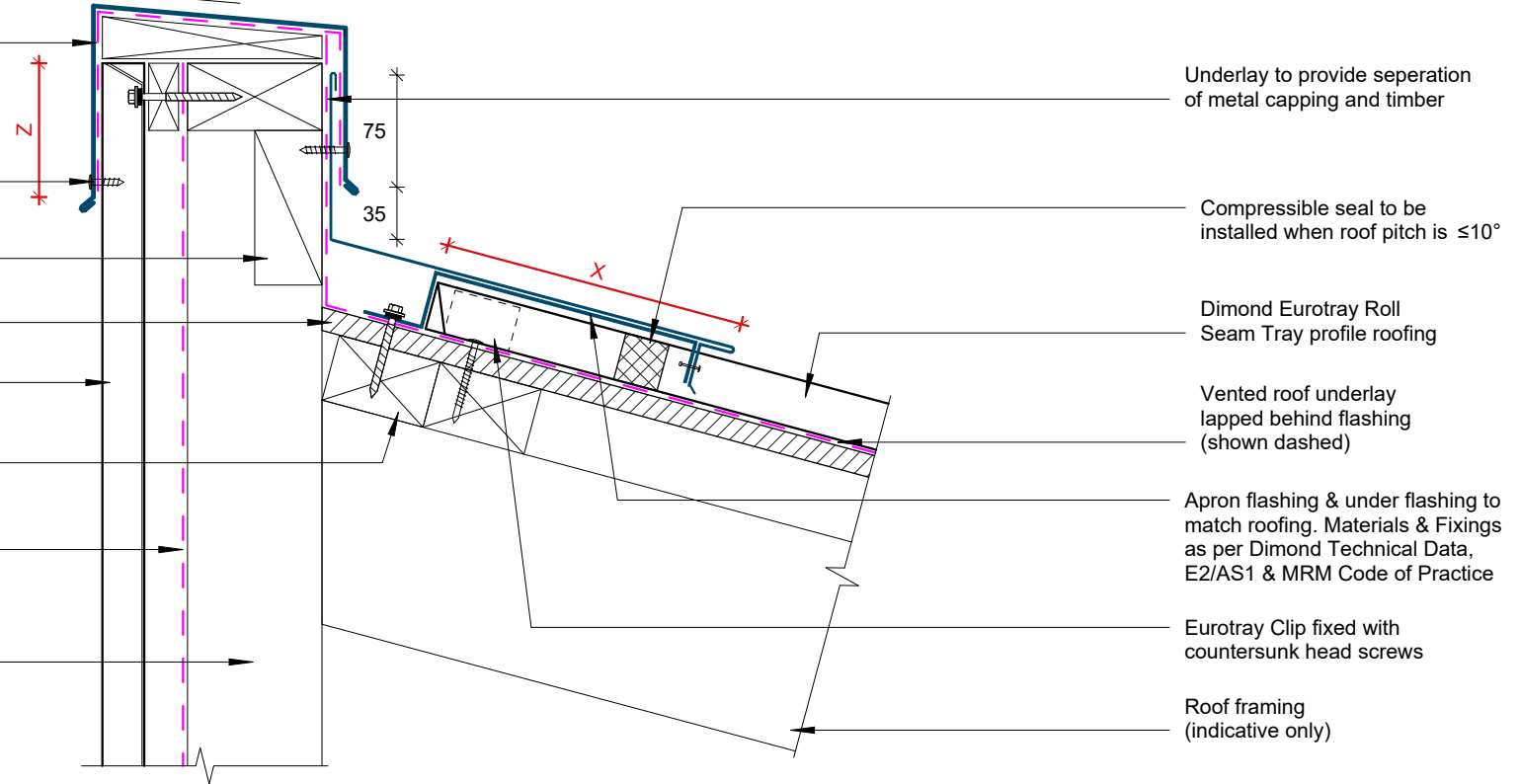
Dimond Wall cladding cavity fixed

Purlins (indicative only)

Wall Underlay (shown dashed)

Wall framing (shown indicative only)

Min 5°



Underlay to provide separation of metal capping and timber

Compressible seal to be installed when roof pitch is  $\leq 10^\circ$

Dimond Eurotray Roll Seam Tray profile roofing

Vented roof underlay lapped behind flashing (shown dashed)

Apron flashing & under flashing to match roofing. Materials & Fixings as per Dimond Technical Data, E2/AS1 & MRM Code of Practice

Eurotray Clip fixed with countersunk head screws

Roof framing (indicative only)

**GENERAL NOTE**

Install vented cavity battens where required to accommodate roof space ventilation pathways.

Cavity battens or timber framing that contain copper must be separated from steel cladding by a strip of wall or roof underlay or DPC.

# Parapet Apron Detail

Rev: 1 Eurotray Roll Seam Residential Roofing

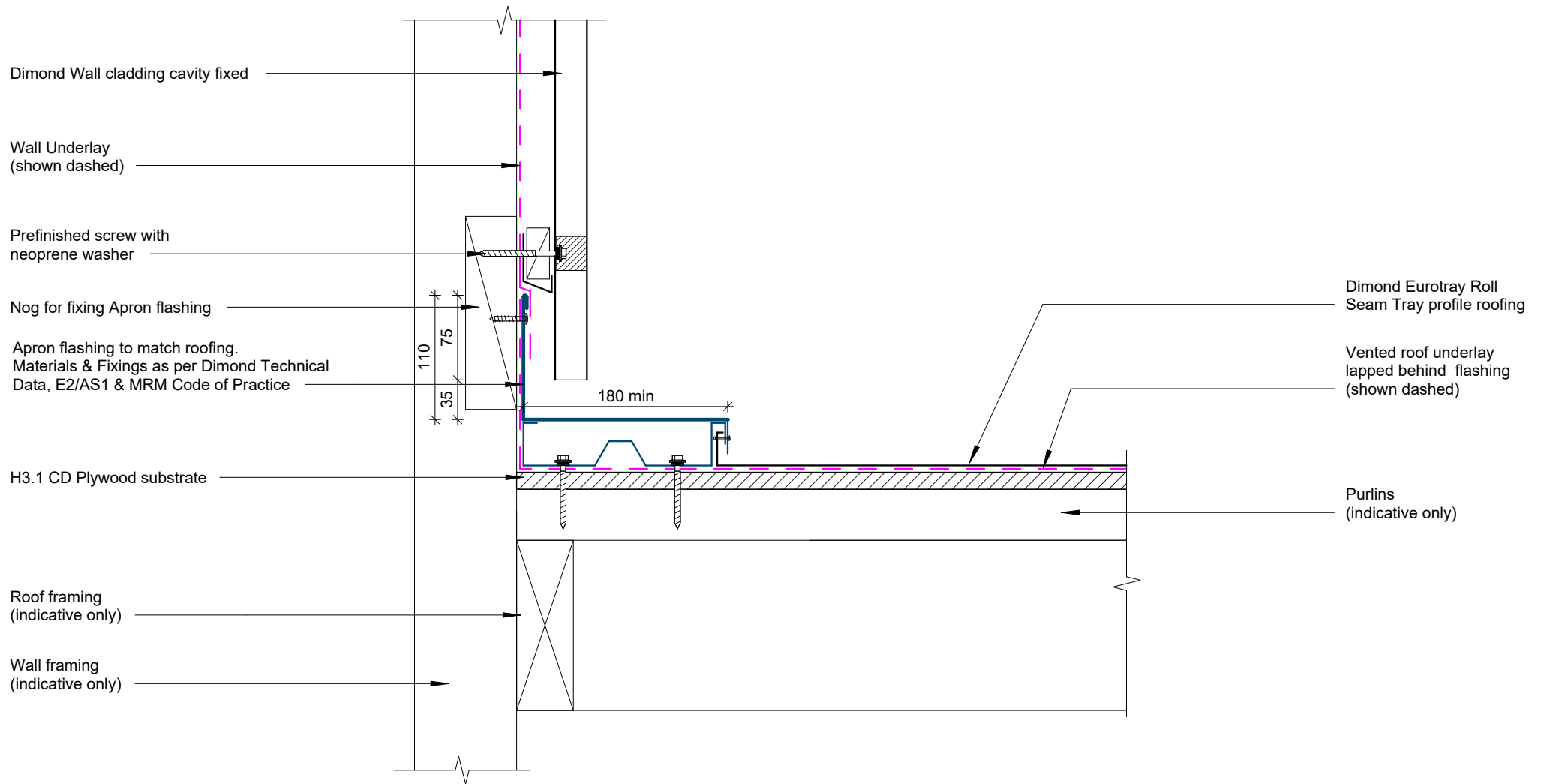


©Dimond 2023, all rights reserved. The information and specifications contained in this document are proprietary to Dimond and may not be used other than for the purpose of designing or building a roof or roofing system solely using products supplied or approved by Dimond ("Permitted Purpose"). You may copy this document solely for the Permitted Purpose, but may not otherwise copy, publish, distribute or modify this document without Dimond's prior written consent. Dimond will not be liable for any use of this document or information and specifications contained in this document, other than for the Permitted Purpose

Date: May 2025

Scale: 1 : 5

Sheet: ERSRR07



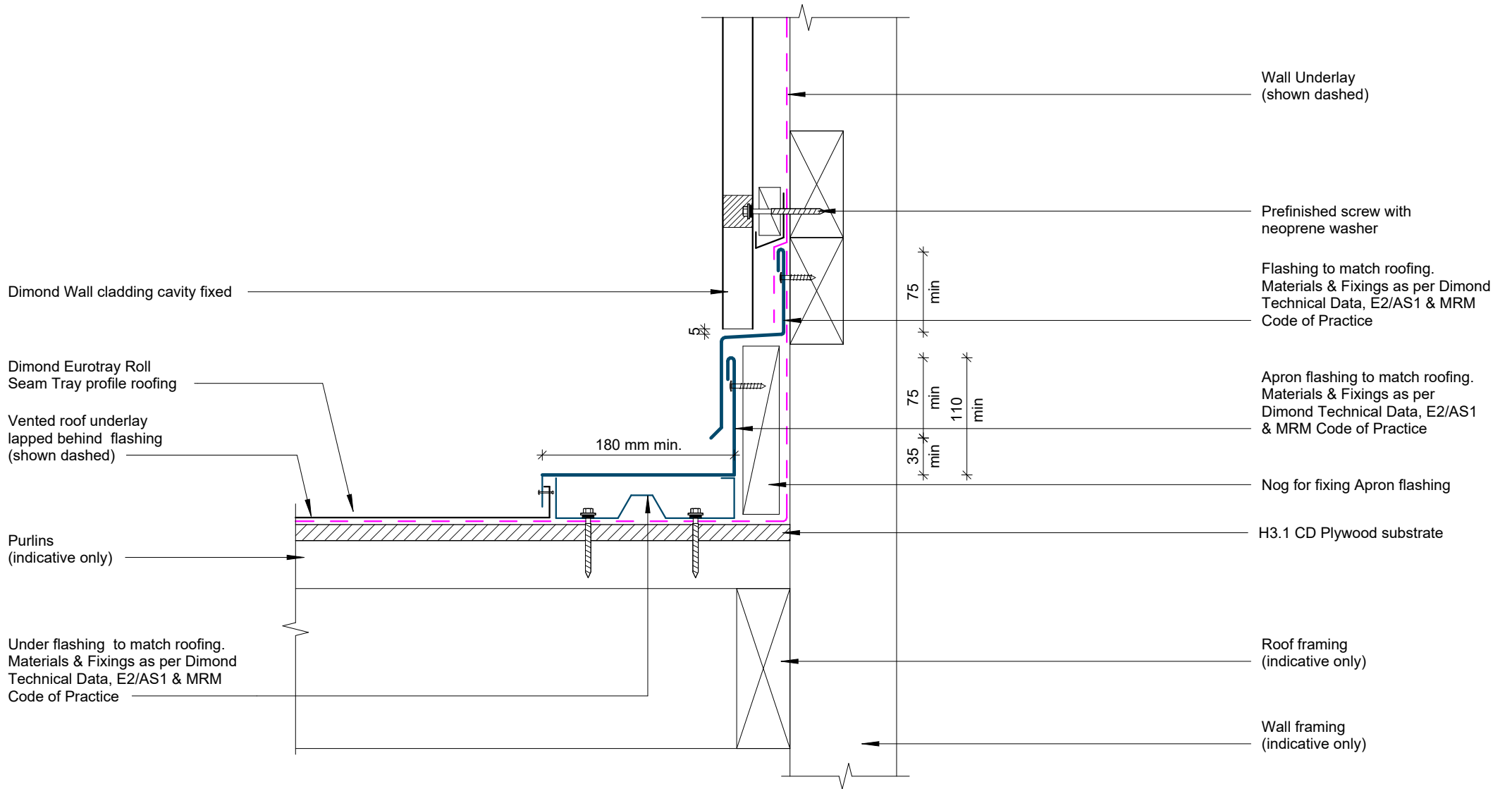
**GENERAL NOTE**

Install vented cavity battens where required to accommodate roof space ventilation pathways.

Cavity battens or timber framing that contain copper must be separated from steel cladding by a strip of wall or roof underlay or DPC.

## Apron Parallel Detail

Rev: 1 Eurotray Roll Seam Residential Roofing



**GENERAL NOTE**

Install vented cavity battens where required to accommodate roof space ventilation pathways.

Cavity battens or timber framing that contain copper must be separated from steel cladding by a strip of wall or roof underlay or DPC.

# Apron Parallel Two Piece Detail

Rev: 1 Eurotray Roll Seam Residential Roofing



©Dimond 2023, all rights reserved. The information and specifications contained in this document are proprietary to Dimond and may not be used other than for the purpose of designing or building a roof or roofing system solely using products supplied or approved by Dimond ("Permitted Purpose"). You may copy this document solely for the Permitted Purpose, but may not otherwise copy, publish, distribute or modify this document without Dimond's prior written consent. Dimond will not be liable for any use of this document or information and specifications contained in this document, other than for the Permitted Purpose

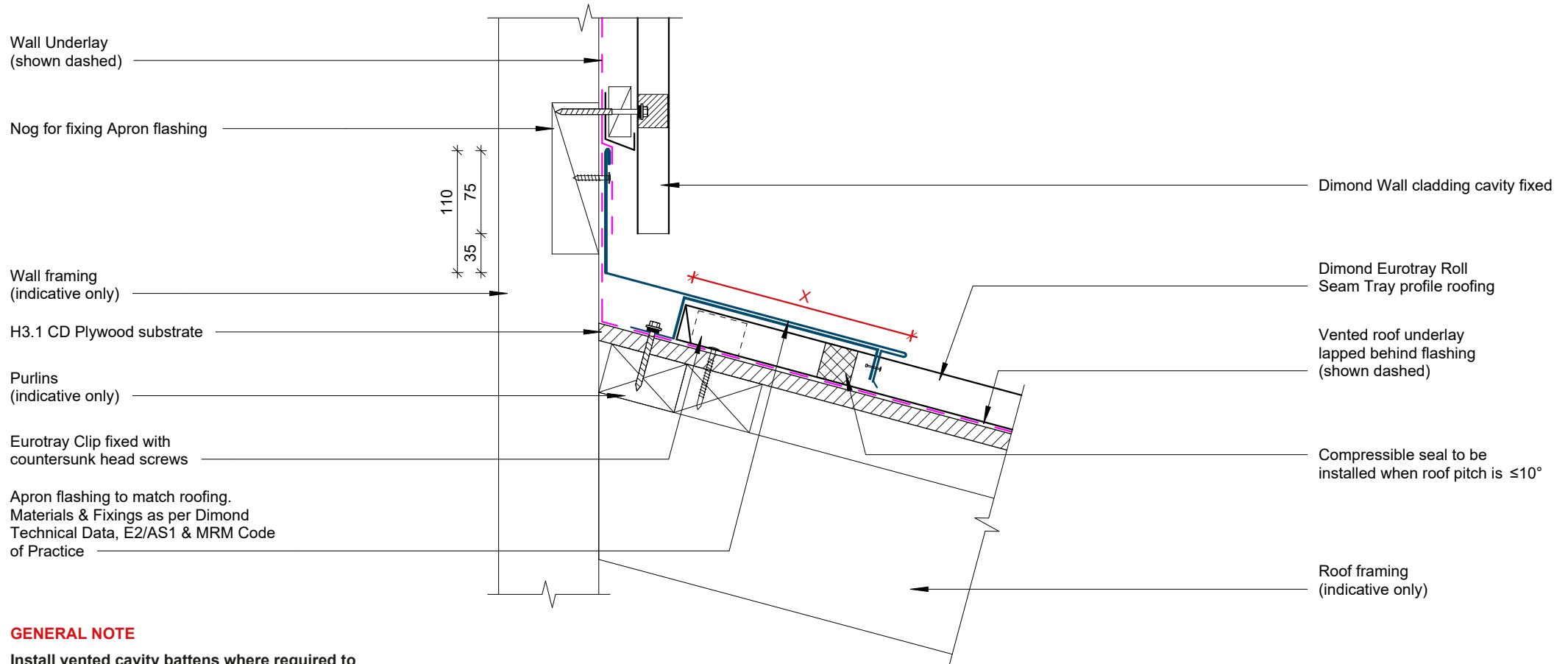
Date: May 2025

Scale: 1 : 5

Sheet: ERSRR09

**COVER DIMENSIONS AS PER E2/AS1**

	<b>SITUATION 1</b> Low, Medium & High Wind Zones where roof pitch $\geq 10^\circ$	<b>SITUATION 2</b> All roof pitches in Very High zone. Low, Medium & High Wind Zones where roof pitch $\leq 10^\circ$	<b>SITUATION 3</b> All roof pitches in Extra High wind zone
<b>X</b>	130 MIN	200 MIN	200 MIN
<b>Z</b>	50 MIN	70 MIN	90 MIN



**GENERAL NOTE**

Install vented cavity battens where required to accommodate roof space ventilation pathways.

Cavity battens or timber framing that contain copper must be separated from steel cladding by a strip of wall or roof underlay or DPC.

# Apron Transverse Detail

Rev: 1 Eurotray Roll Seam Residential Roofing



©Dimond 2023, all rights reserved. The information and specifications contained in this document are proprietary to Dimond and may not be used other than for the purpose of designing or building a roof or roofing system solely using products supplied or approved by Dimond ("Permitted Purpose"). You may copy this document solely for the Permitted Purpose, but may not otherwise copy, publish, distribute or modify this document without Dimond's prior written consent. Dimond will not be liable for any use of this document or information and specifications contained in this document, other than for the Permitted Purpose

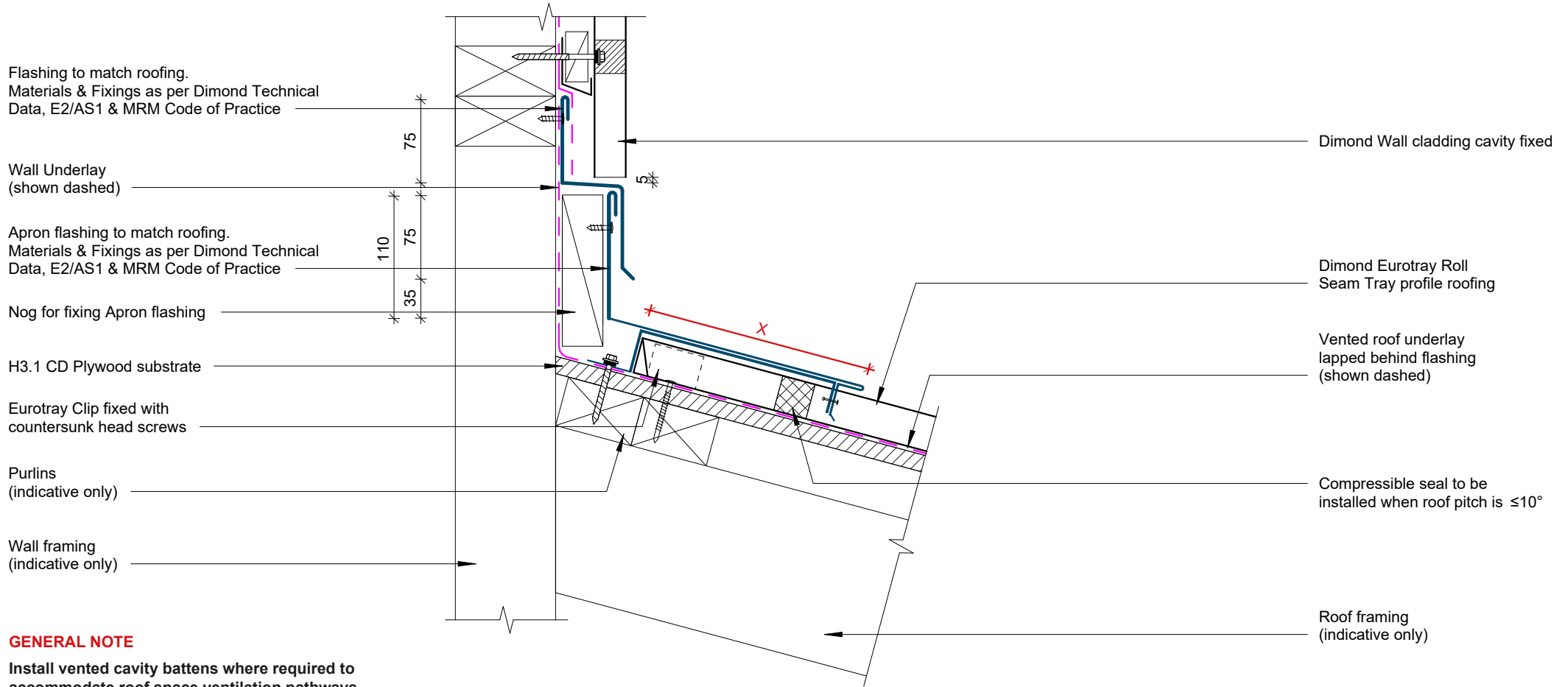
Date: May 2025

Scale: 1 : 5

Sheet: ERSRR10

**COVER DIMENSIONS AS PER E2/AS1**

	<b>SITUATION 1</b>	<b>SITUATION 2</b>	<b>SITUATION 3</b>
	Low, Medium & High Wind Zones where roof pitch $\geq 10^\circ$	All roof pitches in Very High zone. Low, Medium & High Wind Zones where roof pitch $\leq 10^\circ$	All roof pitches in Extra High wind zone
<b>X</b>	130 MIN	200 MIN	200 MIN
<b>Z</b>	50 MIN	70 MIN	90 MIN



**GENERAL NOTE**

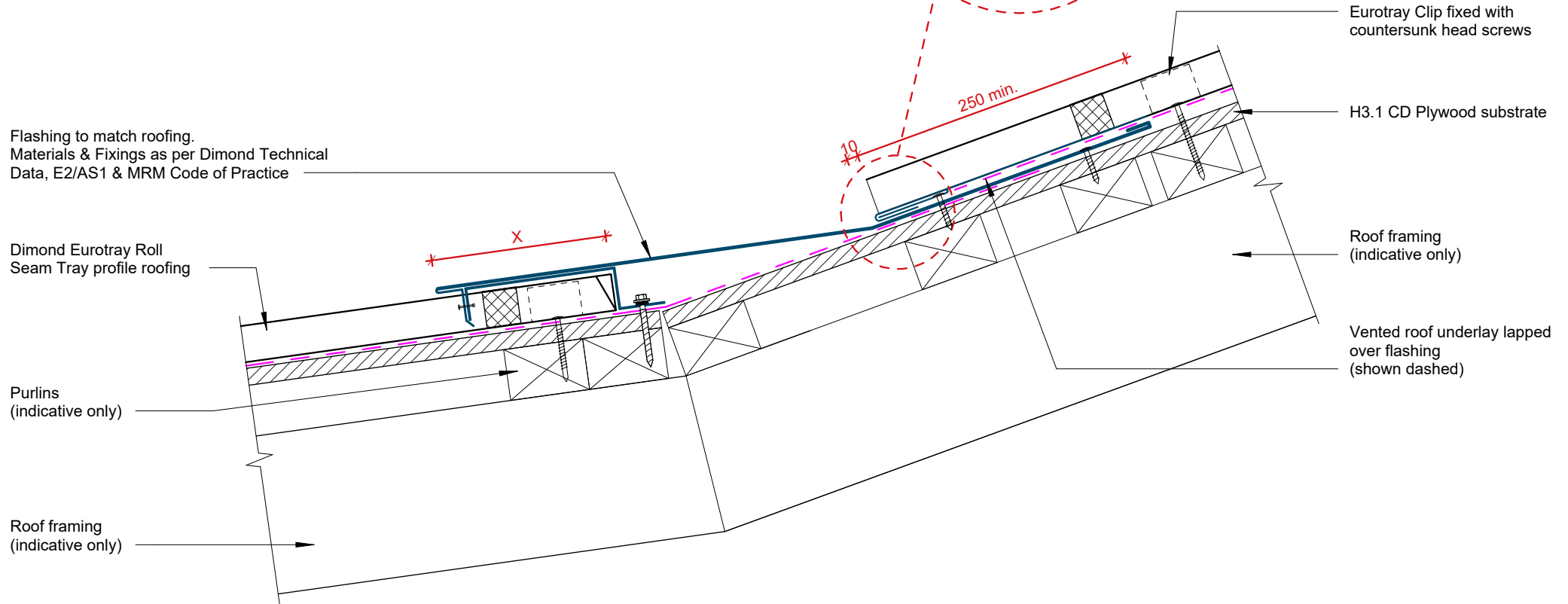
Install vented cavity battens where required to accommodate roof space ventilation pathways.

Cavity battens or timber framing that contain copper must be separated from steel cladding by a strip of wall or roof underlay or DPC.

## Apron Transverse Two Piece Detail

**COVER DIMENSIONS AS PER E2/AS1**

	<b>SITUATION 1</b>	<b>SITUATION 2</b>	<b>SITUATION 3</b>
	Low, Medium & High Wind Zones where roof pitch $\geq 10^\circ$	All roof pitches in Very High zone. Low, Medium & High Wind Zones where roof pitch $\leq 10^\circ$	All roof pitches in Extra High wind zone
<b>X</b>	130 MIN	200 MIN	200 MIN
<b>Z</b>	50 MIN	70 MIN	90 MIN



**GENERAL NOTE**

Install vented cavity battens where required to accommodate roof space ventilation pathways.

# Change of Pitch Detail

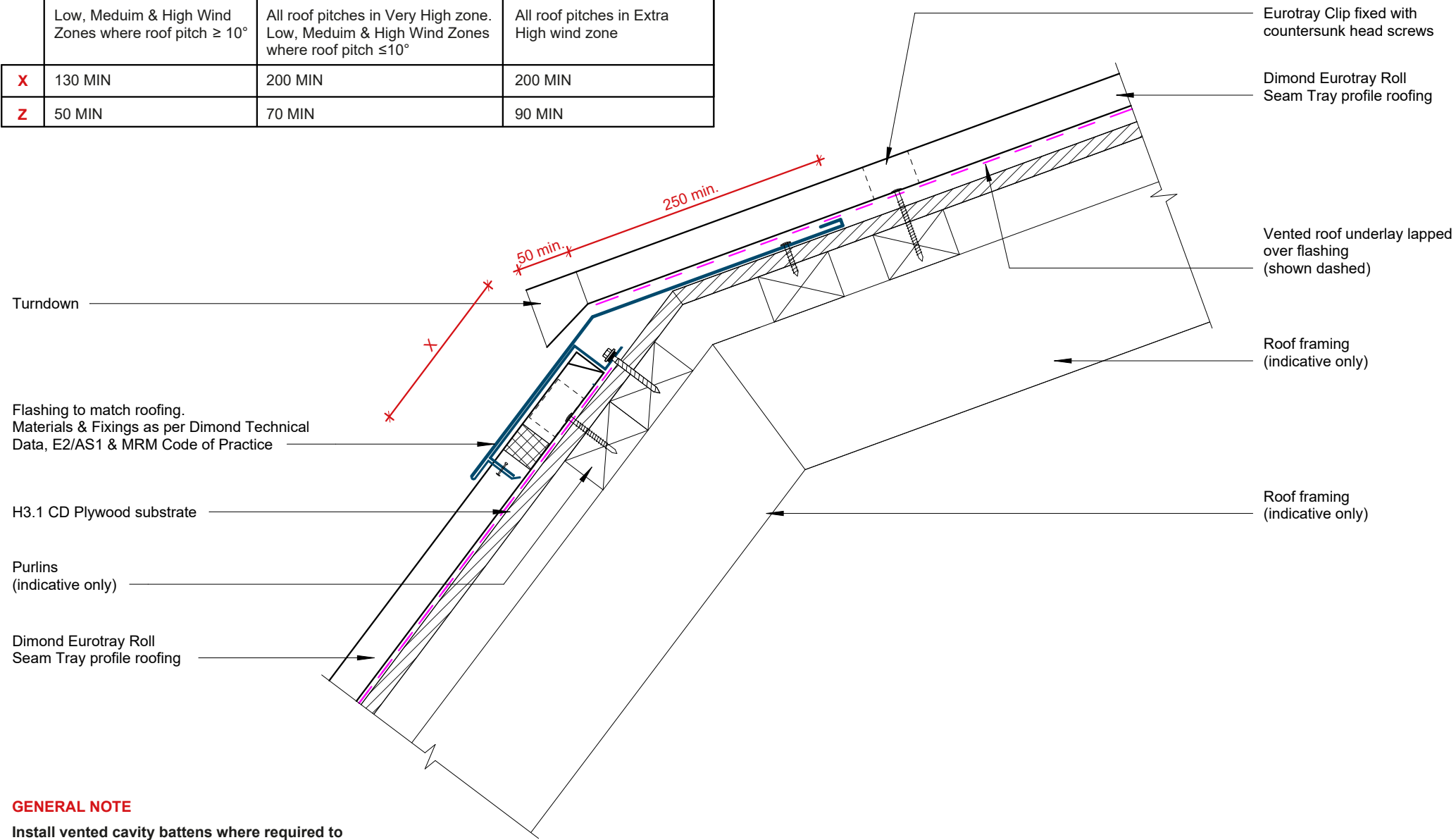
Rev: 1 Eurotray Roll Seam Residential Roofing



©Dimond 2023, all rights reserved. The information and specifications contained in this document are proprietary to Dimond and may not be used other than for the purpose of designing or building a roof or roofing system solely using products supplied or approved by Dimond ("Permitted Purpose"). You may copy this document solely for the Permitted Purpose, but may not otherwise copy, publish, distribute or modify this document without Dimond's prior written consent. Dimond will not be liable for any use of this document or information and specifications contained in this document, other than for the Permitted Purpose

Date: May 2025 Scale: 1 : 5 Sheet: ERSRR12

COVER DIMENSIONS AS PER E2/AS1		
SITUATION 1	SITUATION 2	SITUATION 3
Low, Medium & High Wind Zones where roof pitch $\geq 10^\circ$	All roof pitches in Very High zone. Low, Medium & High Wind Zones where roof pitch $\leq 10^\circ$	All roof pitches in Extra High wind zone
X 130 MIN	200 MIN	200 MIN
Z 50 MIN	70 MIN	90 MIN



**GENERAL NOTE**

Install vented cavity battens where required to accommodate roof space ventilation pathways.

# Mansard Detail

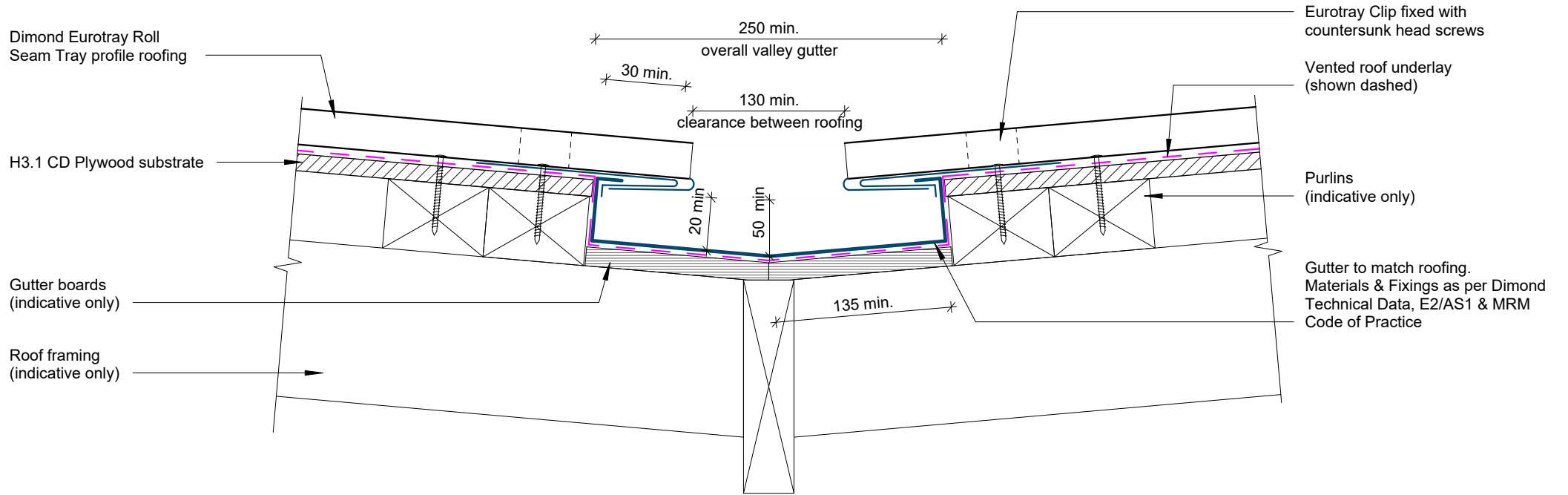


©Dimond 2023, all rights reserved. The information and specifications contained in this document are proprietary to Dimond and may not be used other than for the purpose of designing or building a roof or roofing system solely using products supplied or approved by Dimond ("Permitted Purpose"). You may copy this document solely for the Permitted Purpose, but may not otherwise copy, publish, distribute or modify this document without Dimond's prior written consent. Dimond will not be liable for any use of this document or information and specifications contained in this document, other than for the Permitted Purpose

Rev: 1 Eurotray Roll Seam Residential Roofing

Date: May 2025 Scale: 1 : 5 Sheet: ERSRR13

Gutter size to E2/AS1 or MRM Code of practice.  
Refer to New Zealand metal roof manufacturers code of practice for design & minimum dimensions.

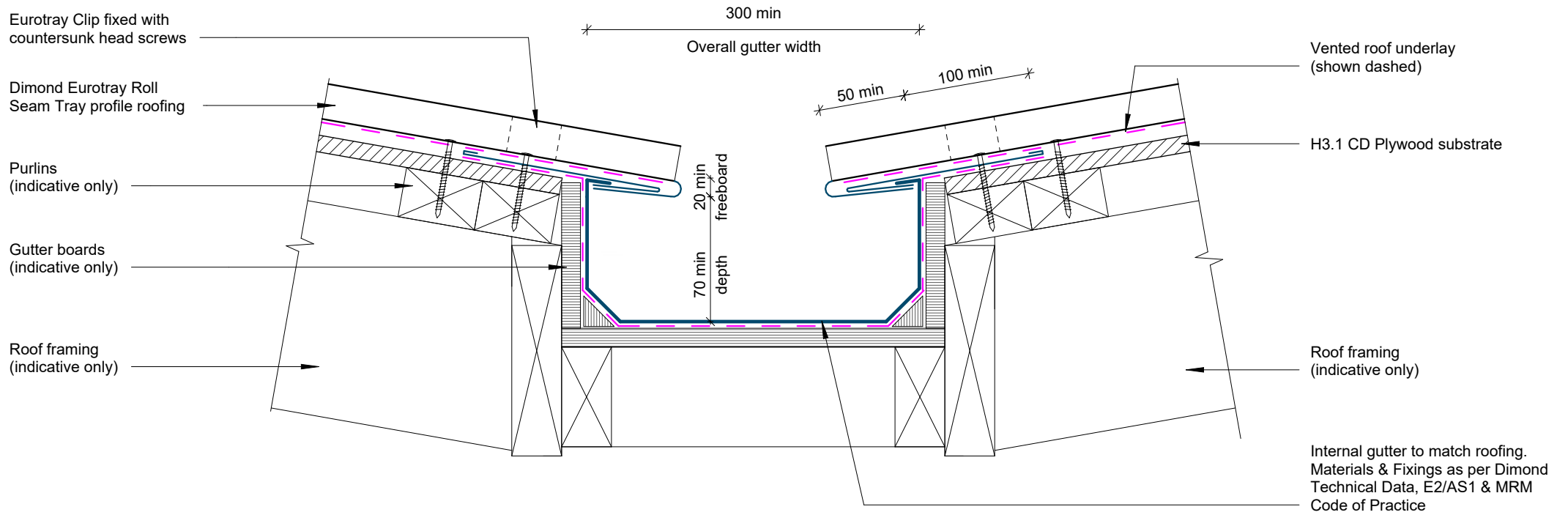


**GENERAL NOTE**

Install vented cavity battens where required to accommodate roof space ventilation pathways.

# Valley Detail

Gutter size to E2/AS1 or MRM Code of practice.  
Refer to New Zealand metal roof manufacturers code of practice for design & minimum dimensions.



**GENERAL NOTE**

Install vented cavity battens where required to accommodate roof space ventilation pathways.

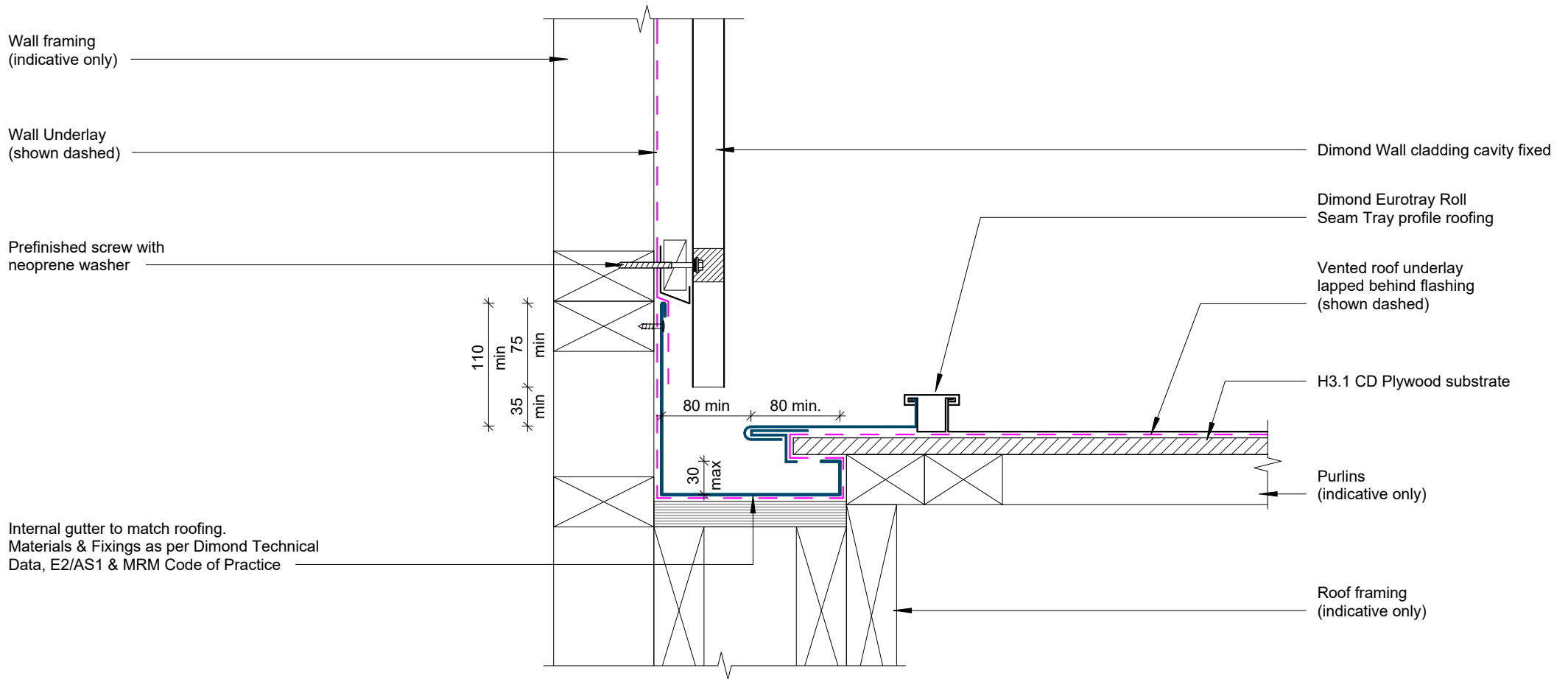
# Internal Gutter Detail



©Dimond 2023, all rights reserved. The information and specifications contained in this document are proprietary to Dimond and may not be used other than for the purpose of designing or building a roof or roofing system solely using products supplied or approved by Dimond ("Permitted Purpose"). You may copy this document solely for the Permitted Purpose, but may not otherwise copy, publish, distribute or modify this document without Dimond's prior written consent. Dimond will not be liable for any use of this document or information and specifications contained in this document, other than for the Permitted Purpose

Rev: 1 Eurotray Roll Seam Residential Roofing

Date: May 2025 Scale: 1 : 5 Sheet: ERSRR15



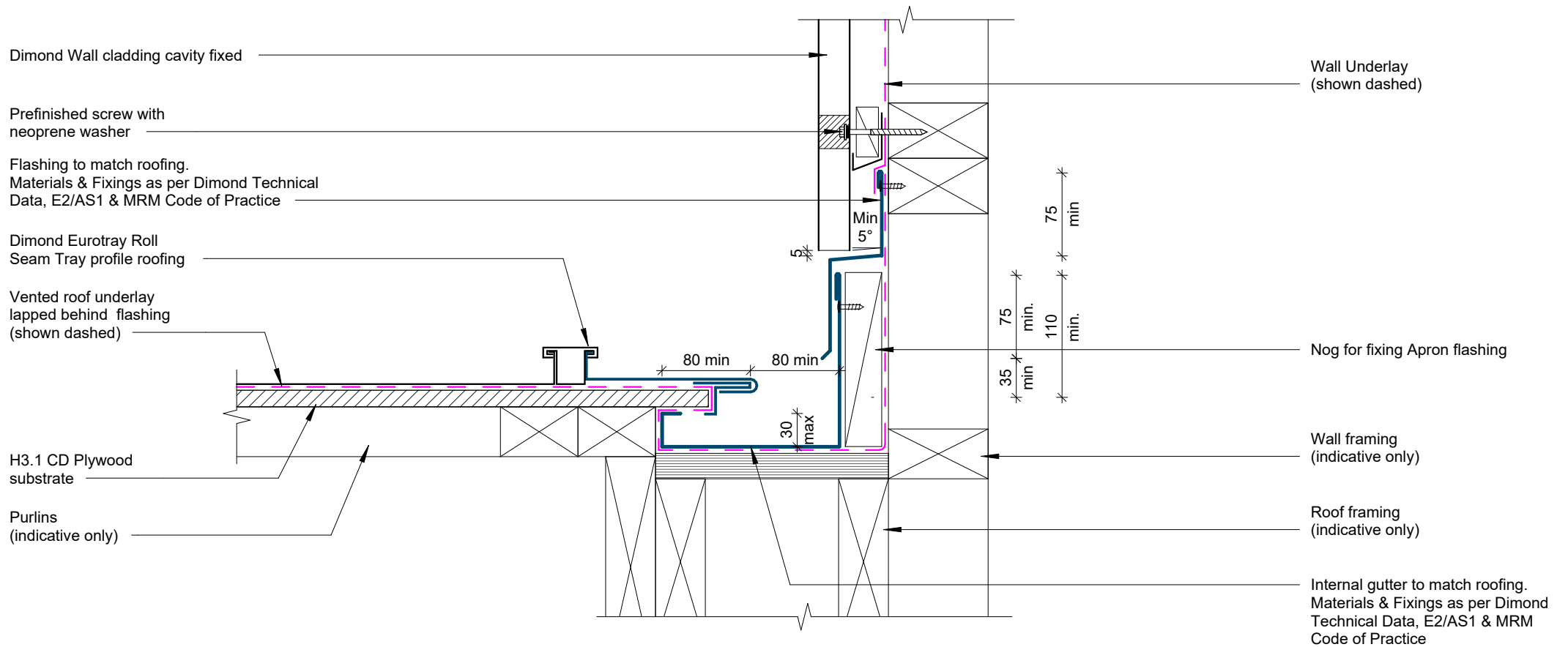
### GENERAL NOTE

Install vented cavity battens where required to accommodate roof space ventilation pathways.

Cavity battens or timber framing that contain copper must be separated from steel cladding by a strip of wall or roof underlay or DPC.

## Parallel Hidden Gutter Detail

Rev: 1 Eurotray Roll Seam Residential Roofing



**GENERAL NOTE**

Install vented cavity battens where required to accommodate roof space ventilation pathways.

Cavity battens or timber framing that contain copper must be separated from steel cladding by a strip of wall or roof underlay or DPC.

## Parallel Hidden Gutter Two Piece Detail

**COVER DIMENSIONS AS PER E2/AS1**

	<b>SITUATION 1</b>	<b>SITUATION 2</b>	<b>SITUATION 3</b>
	Low, Medium & High Wind Zones where roof pitch $\geq 10^\circ$	All roof pitches in Very High zone. Low, Medium & High Wind Zones where roof pitch $\leq 10^\circ$	All roof pitches in Extra High wind zone
<b>X</b>	130 MIN	200 MIN	200 MIN
<b>Z</b>	50 MIN	70 MIN	90 MIN

Eurotray Clip fixed with countersunk head screws

Dimond Eurotray Roll Seam Tray roofing

H3.1 CD Plywood substrate

Purlins (indicative only)

Prefinished screw with neoprene washer

Wall framing (indicative only)

Wall Underlay (shown dashed)

Vented roof underlay (shown dashed)

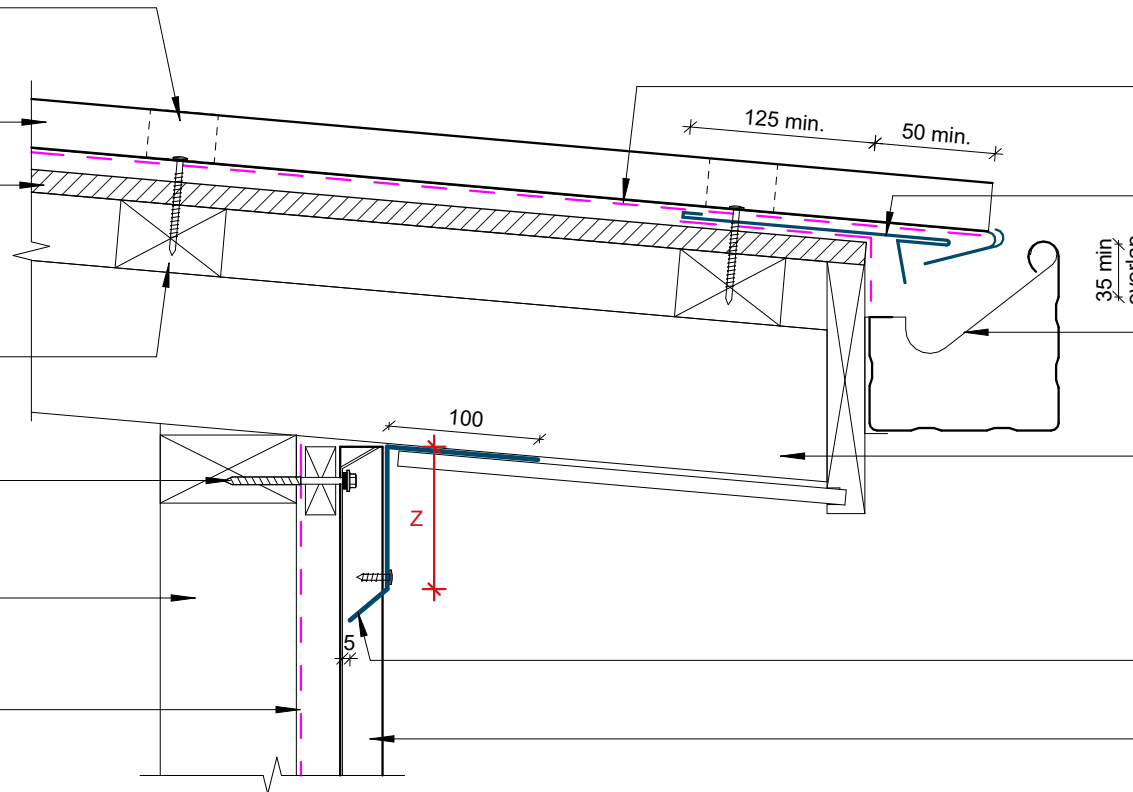
Eave flashing as required

Gutter bracket

Roof framing (indicative only)

Flashing to match roofing. Materials & Fixings as per Dimond Technical Data, E2/AS1 & MRM Code of Practice

Dimond Wall cladding cavity fixed



**GENERAL NOTE**

Install vented cavity battens where required to accommodate roof space ventilation pathways.

Cavity battens or timber framing that contain copper must be separated from steel cladding by a strip of wall or roof underlay or DPC.

# Eave Detail

**COVER DIMENSIONS AS PER E2/AS1**

	<b>SITUATION 1</b>	<b>SITUATION 2</b>	<b>SITUATION 3</b>
	Low, Medium & High Wind Zones where roof pitch $\geq 10^\circ$	All roof pitches in Very High zone. Low, Medium & High Wind Zones where roof pitch $\leq 10^\circ$	All roof pitches in Extra High wind zone
<b>X</b>	130 MIN	200 MIN	200 MIN
<b>Z</b>	50 MIN	70 MIN	90 MIN

Eurotray Clip fixed with countersunk head screws

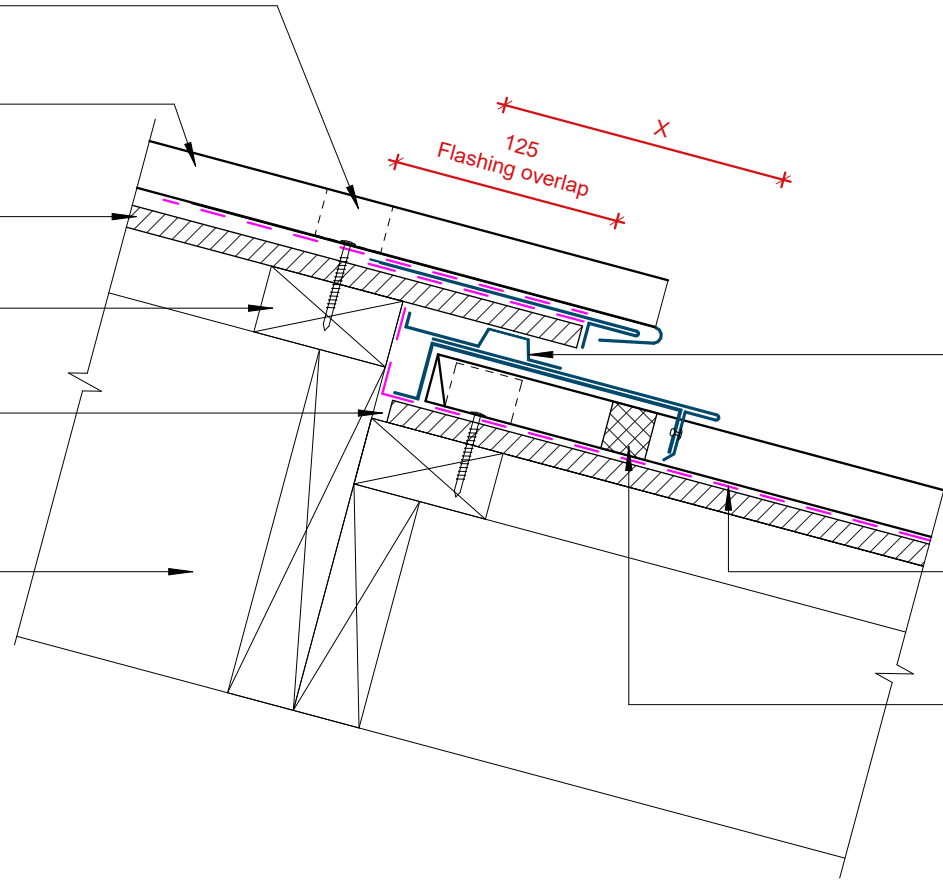
Dimond Eurotray Roll Seam Tray profile roofing

H3.1 CD Plywood substrate

Purlins (indicative only)

Leave a 10 gap in plywood, vented roof underlay and flashing to allow ventilation exit

Roof framing (indicative only)



Step support flashing to match roofing. Materials & Fixings as per Dimond Technical Data, E2/AS1 & MRM Code of Practice

Vented roof underlay (shown dashed)

Compressible seal to be installed when roof pitch is  $\leq 10^\circ$

**GENERAL NOTE**

Install vented cavity battens where required to accommodate roof space ventilation pathways.

# Step in roofing Detail

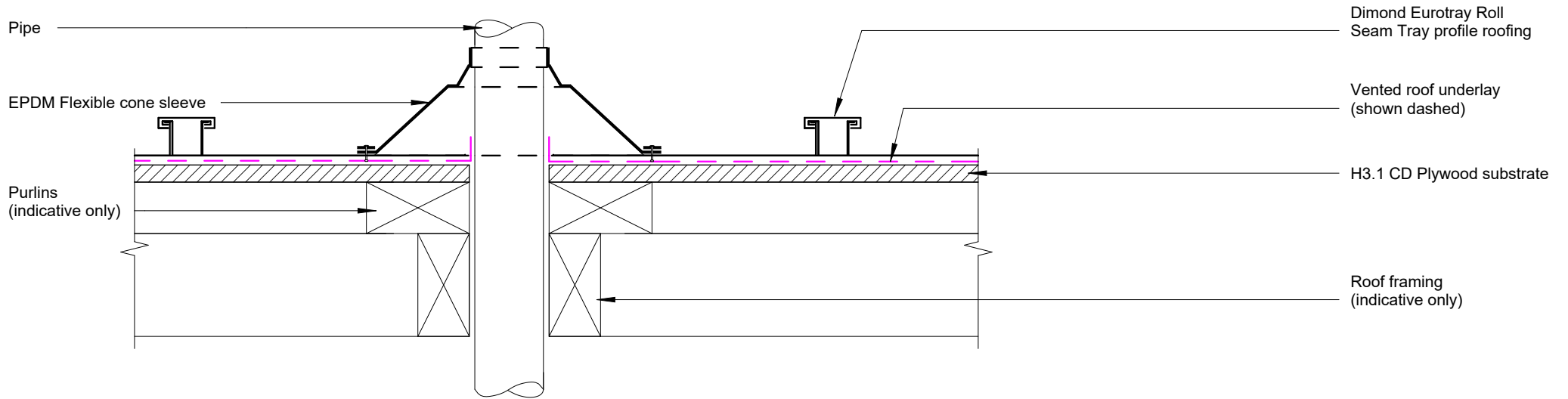


©Dimond 2023, all rights reserved. The information and specifications contained in this document are proprietary to Dimond and may not be used other than for the purpose of designing or building a roof or roofing system solely using products supplied or approved by Dimond ("Permitted Purpose"). You may copy this document solely for the Permitted Purpose, but may not otherwise copy, publish, distribute or modify this document without Dimond's prior written consent. Dimond will not be liable for any use of this document or information and specifications contained in this document, other than for the Permitted Purpose

Rev: 1 Eurotray Roll Seam Residential Roofing

Date: May 2025 Scale: 1 : 5 Sheet: ERSRR19

**Note:**  
Min 3° for pipe penetration with a Boot flashing.  
Refer MRM code of practice.



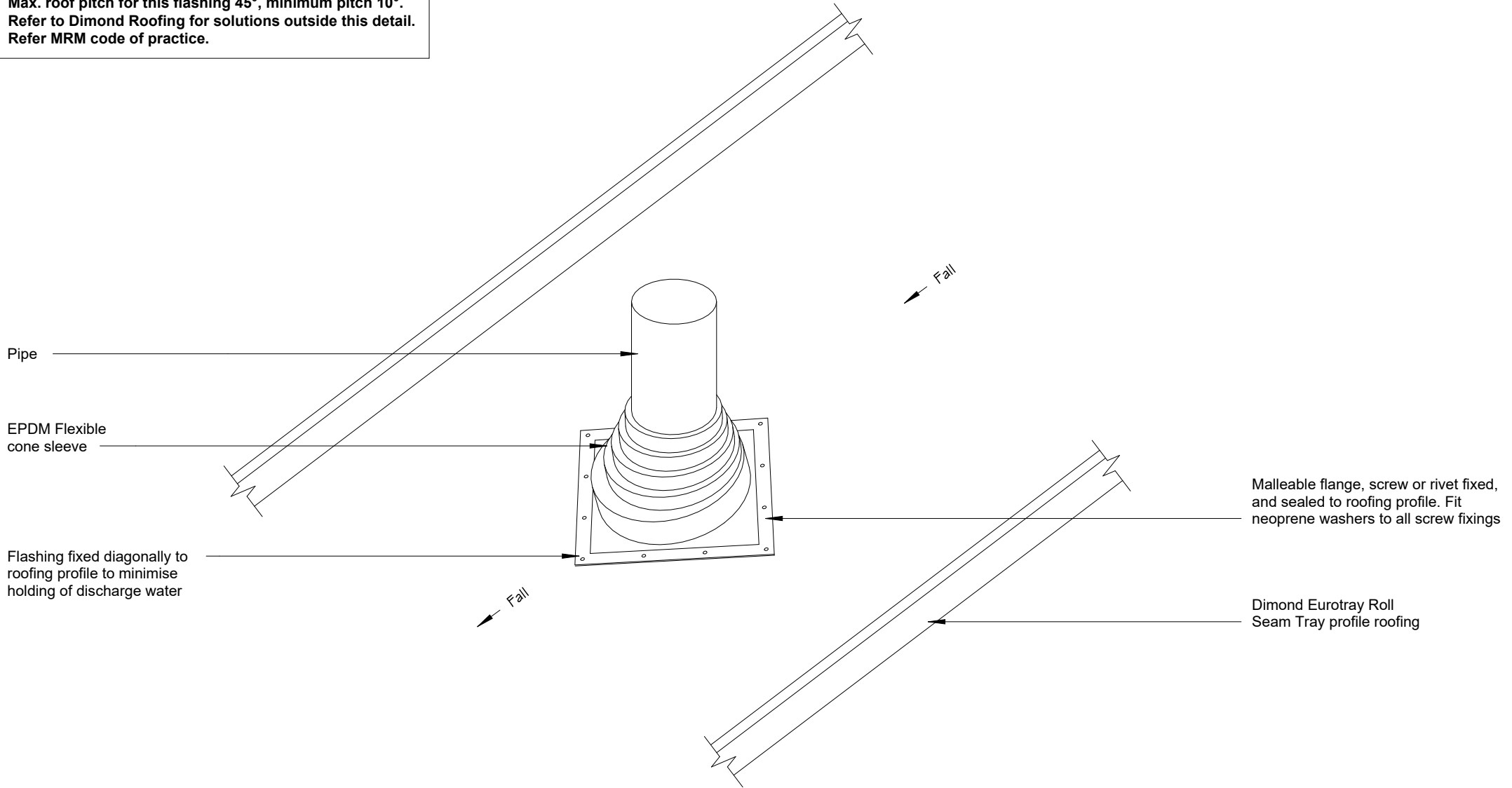
**GENERAL NOTE**

Install vented cavity battens where required to accommodate roof space ventilation pathways.

## Pipe Penetration Direct Fix Detail

**Note:**

Suitable for pipes up to 85 diameter.  
Max. roof pitch for this flashing 45°, minimum pitch 10°.  
Refer to Dimond Roofing for solutions outside this detail.  
Refer MRM code of practice.

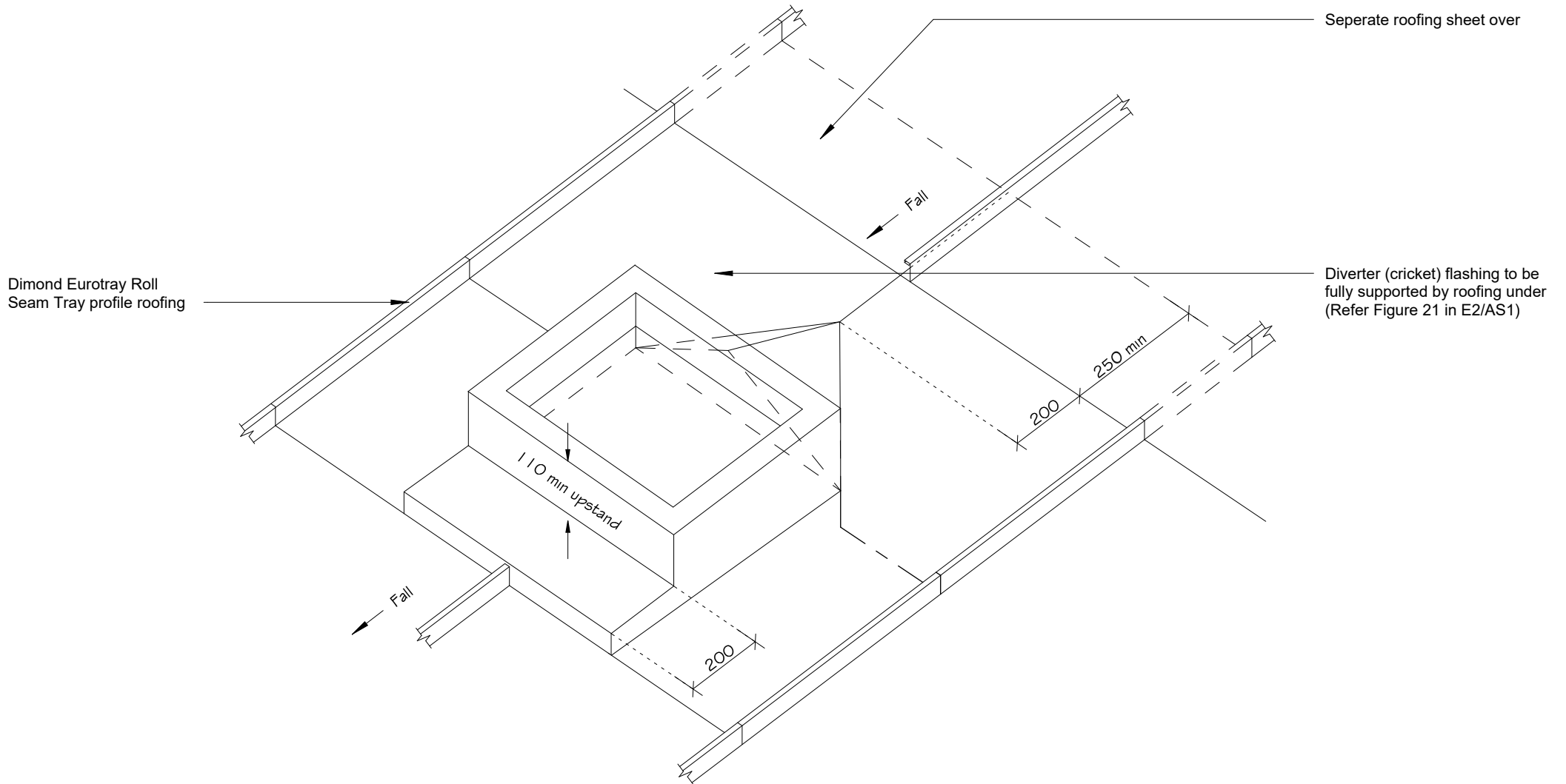


**GENERAL NOTE**

Install vented cavity battens where required to accommodate roof space ventilation pathways.

## Penetration 3D Detail

**Note:**  
Suitable for minimum roof pitch of 3°.  
Refer MRM code of practice.



## Large penetration 3D Detail