

DIMONDEK 630

COMMERCIAL ROOFING

DETAILS:

REV: DATE:

DD6CR0	Cover Sheet	2	Dec 2025
DD6CR1	Ridge Detail	2	Dec 2025
DD6CR2	Barge Detail	2	Dec 2025
DD6CR3	Roof Step Detail	2	Dec 2025
DD6CR4	Roof Wall Apex Detail	2	Dec 2025
DD6CR5	Parapet Detail	2	Dec 2025
DD6CR6	Apron Parallel Detail	2	Dec 2025
DD6CR7	Apron Transverse Detail	2	Dec 2025
DD6CR8	Eave - Box Gutter Detail	2	Dec 2025
DD6CR9	Pipe Penetration Direct Fix Detail	2	Dec 2025
DD6CR10	Pipe Penetration Back Tray Detail	2	Dec 2025
DD6CR11	Large Penetration Detail	2	Dec 2025

Ridge flashing to match roofing.

Notched ridge flashing folded and rivet fixed to flashing clip. Materials & Fixings as per Dimond Technical Data & MRM Code of Practice.

2 x M6 x 25 Roofzip to Dimond DD630 thermal expansion flashing clip every 2nd pan.

Dimondek 630 Concealed Clip Rib roofing profile

Roof underlay over safety netting

Dimond DHS purlin (indicative only)

Structural steel

200 min.

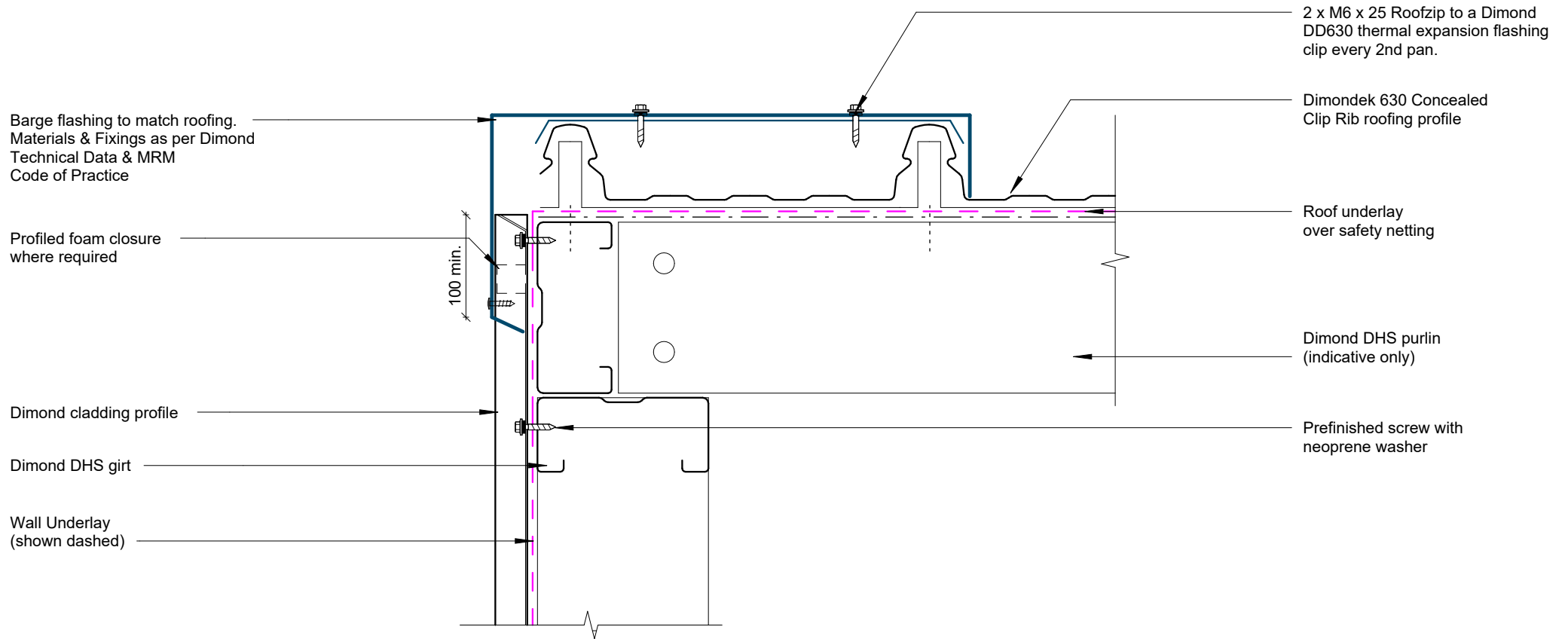
Stops to Dimond Roofing

Dimondek 630 clip fixed with 10g x 16mm wafer head tek screw

GENERAL NOTE

Foam closure strip only required if bird or vermin proofing is required, or if in a high wind area, there is a risk of windblown moisture entering the building. Leave foam out if ventilation is required.

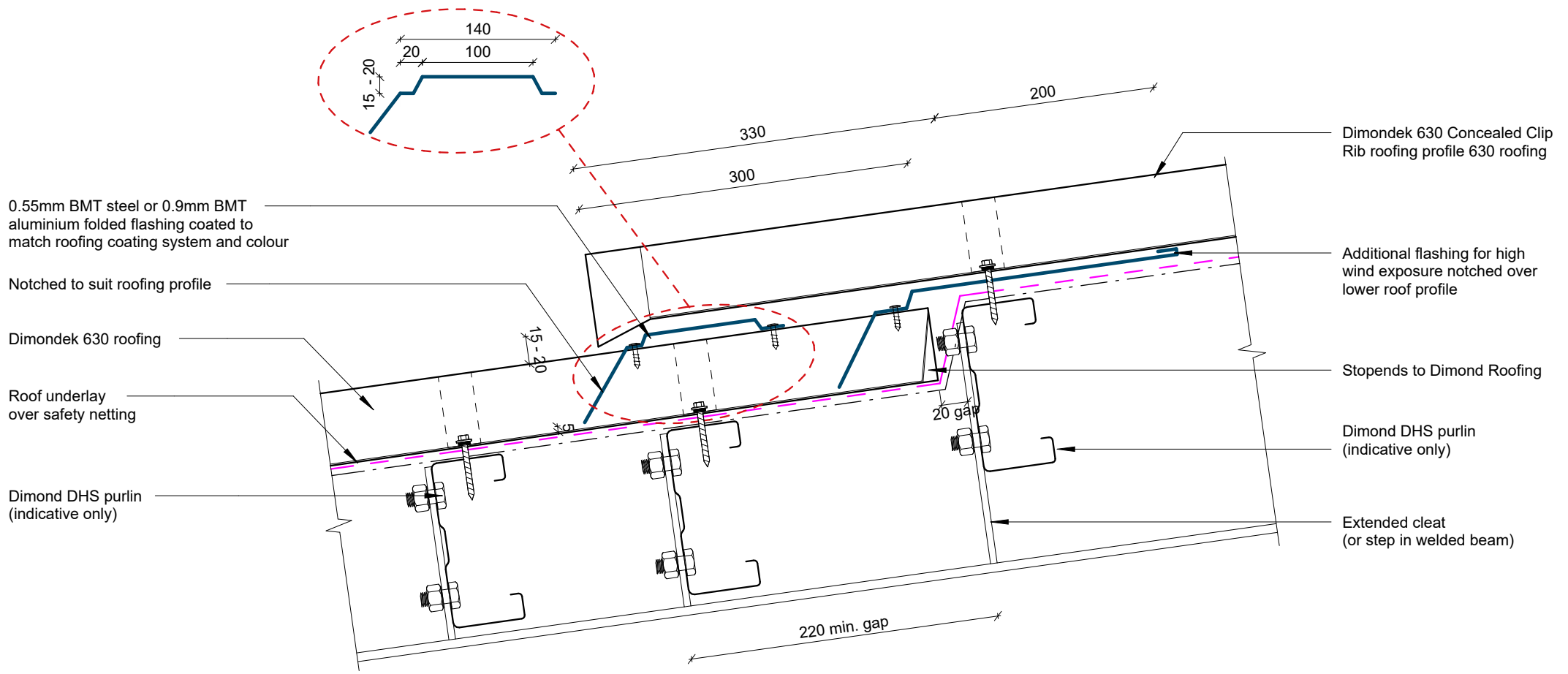
Ridge Detail



GENERAL NOTE

Foam closure strip only required if bird or vermin proofing is required, or if in a high wind area, there is a risk of windblown moisture entering the building. Leave foam out if ventilation is required.

Barge Detail



GENERAL NOTE

Foam closure strip only required if bird or vermin proofing is required, or if in a high wind area, there is a risk of windblown moisture entering the building. Leave foam out if ventilation is required.

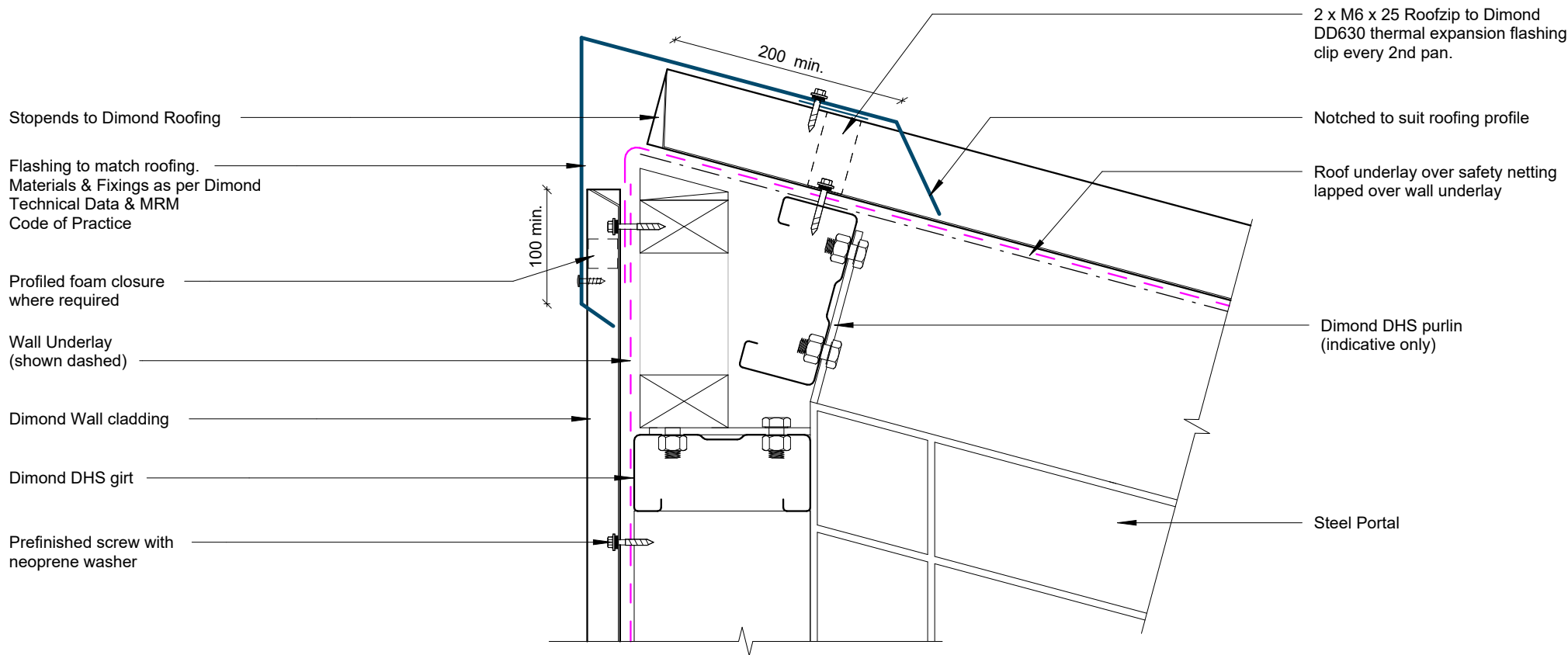
Roof Step Detail

Rev: 2 **Dimondek 630 Commercial Roofing**



©Dimond 2023, all rights reserved. The information and specifications contained in this document are proprietary to Dimond and may not be used other than for the purpose of designing or building a roof or roofing system solely using products supplied or approved by Dimond ("Permitted Purpose"). You may copy this document solely for the Permitted Purpose, but may not otherwise copy, publish, distribute or modify this document without Dimond's prior written consent. Dimond will not be liable for any use of this document or information and specifications contained in this document, other than for the Permitted Purpose

Date: Dec 2025 Scale: 1 : 5 Sheet: **DD6CR3**



GENERAL NOTE

Foam closure strip only required if bird or vermin proofing is required, or if in a high wind area, there is a risk of windblown moisture entering the building. Leave foam out if ventilation is required.

Roof Wall Apex Detail

Rev: 2 Dimondek 630 Commercial Roofing

Parapet cap flashing to match roofing.
Materials & Fixings as per Dimond
Technical Data & MRM Code of Practice

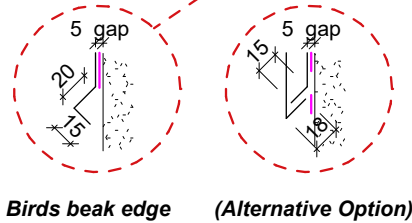
H3.1 timber capping
support on DPC

Prefinished screw with
neoprene washer

Separation barrier with self adhesive
tape or similar around concrete wall

Fix capping to concrete with
6.5mm x 20mm metal pin
anchors @1000mm crs.

Stopsends to Dimond Roofing



Min 5°

100 min.

200 min.

2 x M6 x 25 Roofzip to Dimond
DD630 thermal expansion flashing
clip every 2nd pan.

Apron flashing to match roofing.
Materials & Fixings as per Dimond
Technical Data & MRM
Code of Practice

Notched to suit roofing profile

Dimond DD630 roofing

Roof underlay over safety netting
lapped behind flashing

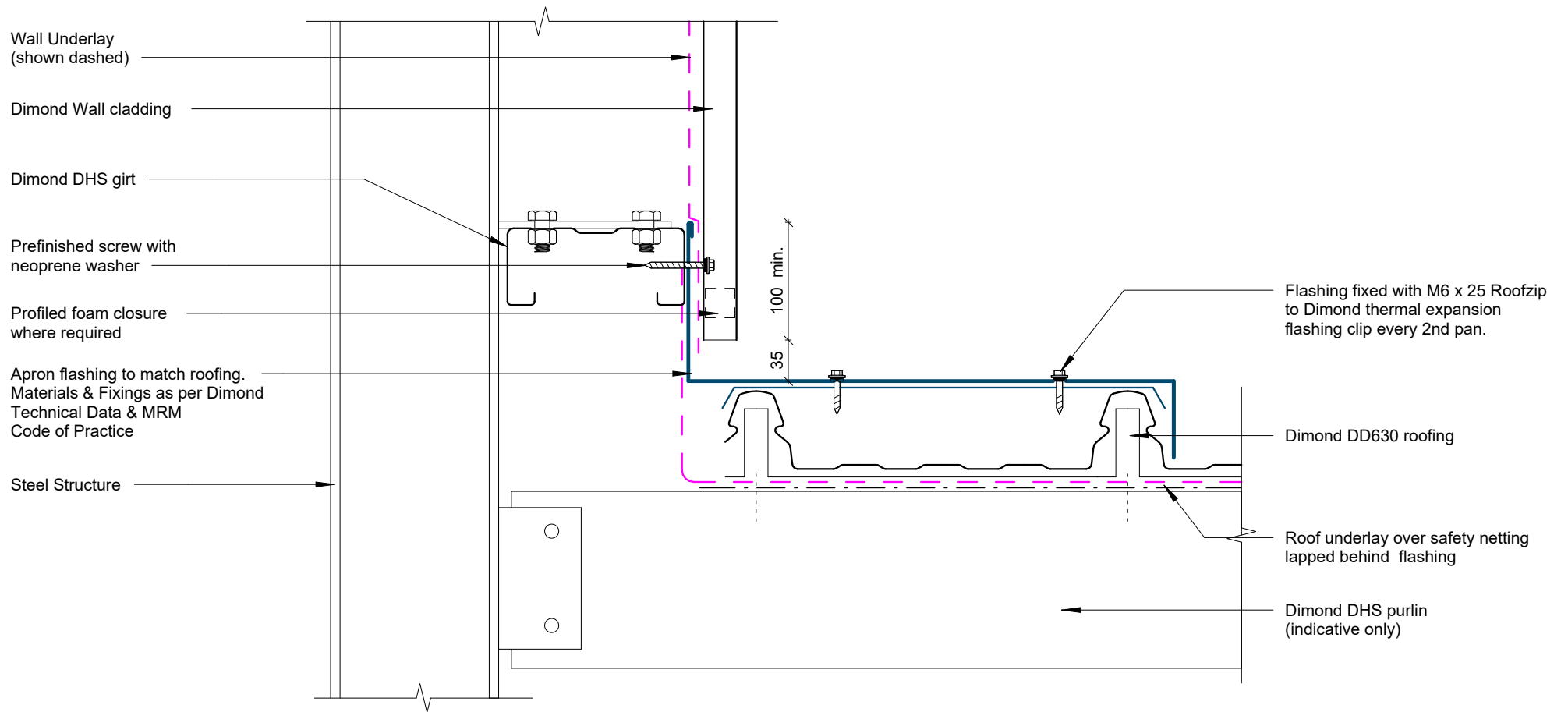
Dimond DHS purlin
(indicative only)

Steel Structure

GENERAL NOTE

Foam closure strip only required if bird or vermin proofing is required, or if in a high wind area, there is a risk of windblown moisture entering the building. Leave foam out if ventilation is required.

Parapet Detail

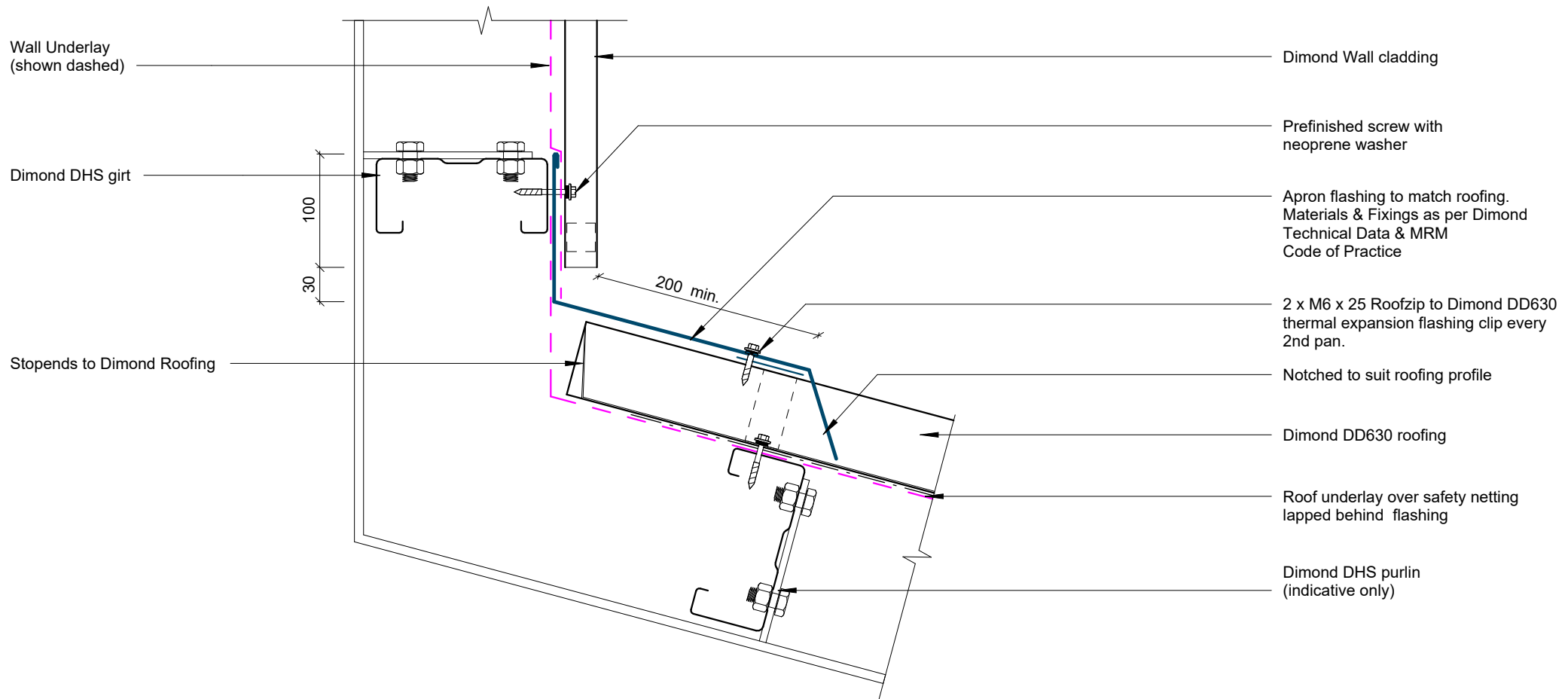


GENERAL NOTE

Foam closure strip only required if bird or vermin proofing is required, or if in a high wind area, there is a risk of windblown moisture entering the building. Leave foam out if ventilation is required.

Apron Parallel Detail

Rev: 2 **Dimondek 630 Commercial Roofing**

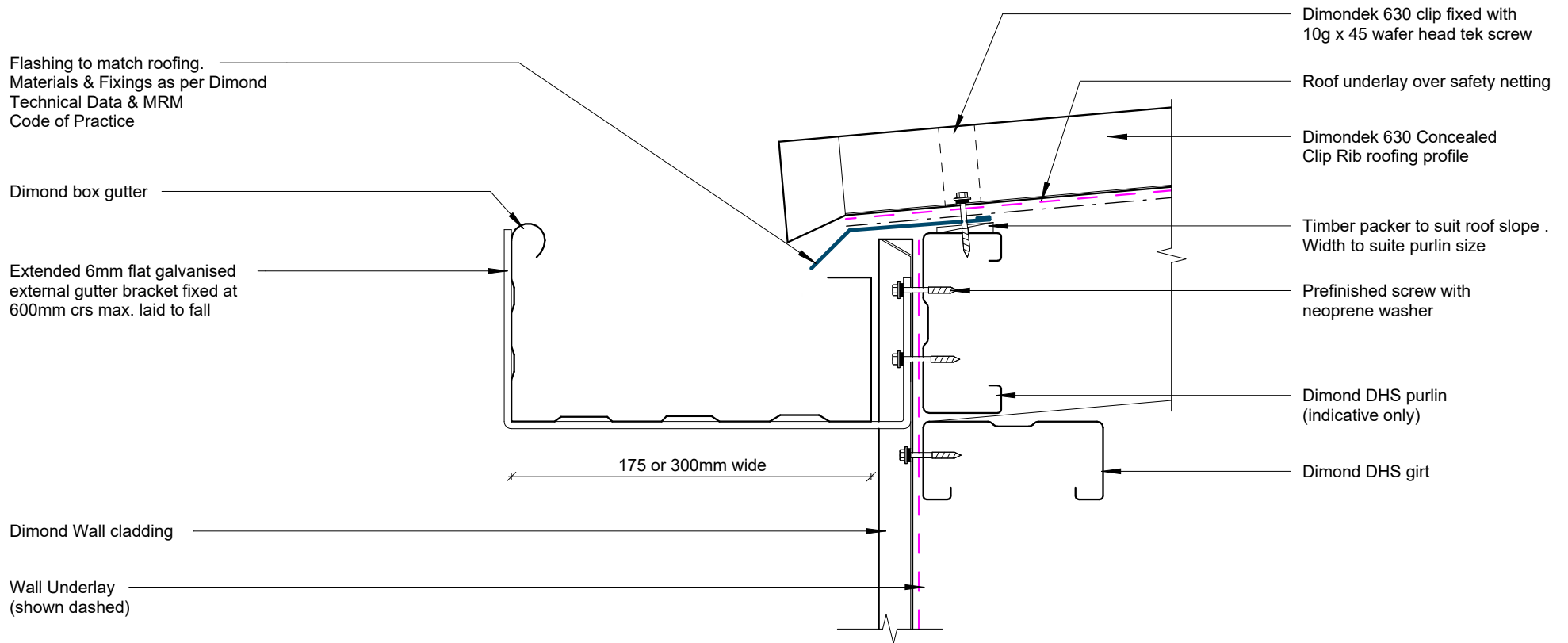


GENERAL NOTE

Foam closure strip only required if bird or vermin proofing is required, or if in a high wind area, there is a risk of windblown moisture entering the building. Leave foam out if ventilation is required.

Apron Transverse Detail

Rev: 2 **Dimondek 630 Commercial Roofing**



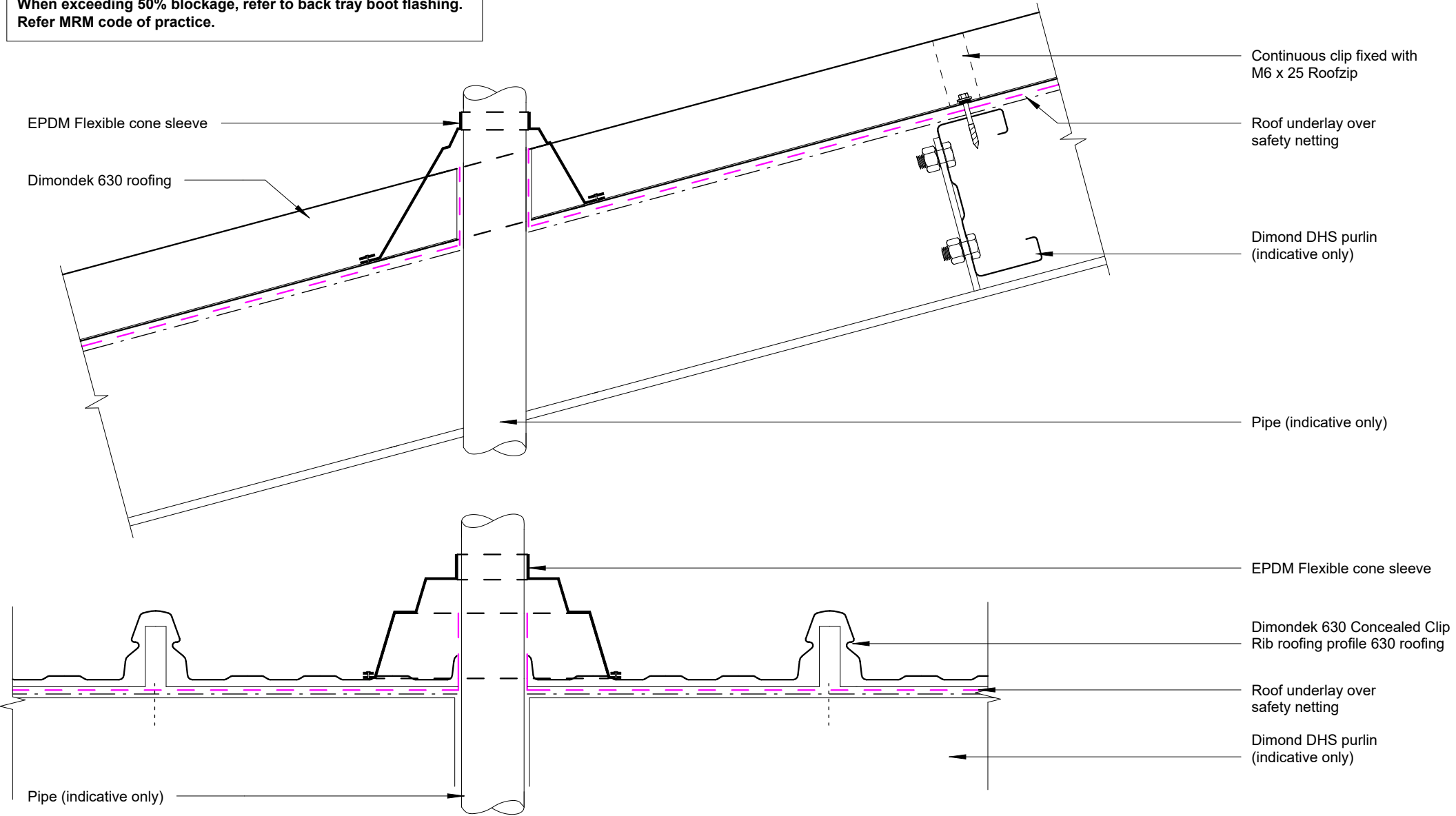
GENERAL NOTE

Foam closure strip only required if bird or vermin proofing is required, or if in a high wind area, there is a risk of windblown moisture entering the building. Leave foam out if ventilation is required.

Eave - Box Gutter Detail

Rev: 2 **Dimondek 630 Commercial Roofing**

Note:
 Min 10° for pipe penetration direct fix boot flashing is applicable for when less than 50% blockage occurs.
 When exceeding 50% blockage, refer to back tray boot flashing.
 Refer MRM code of practice.



Pipe Penetration Direct Fix Detail

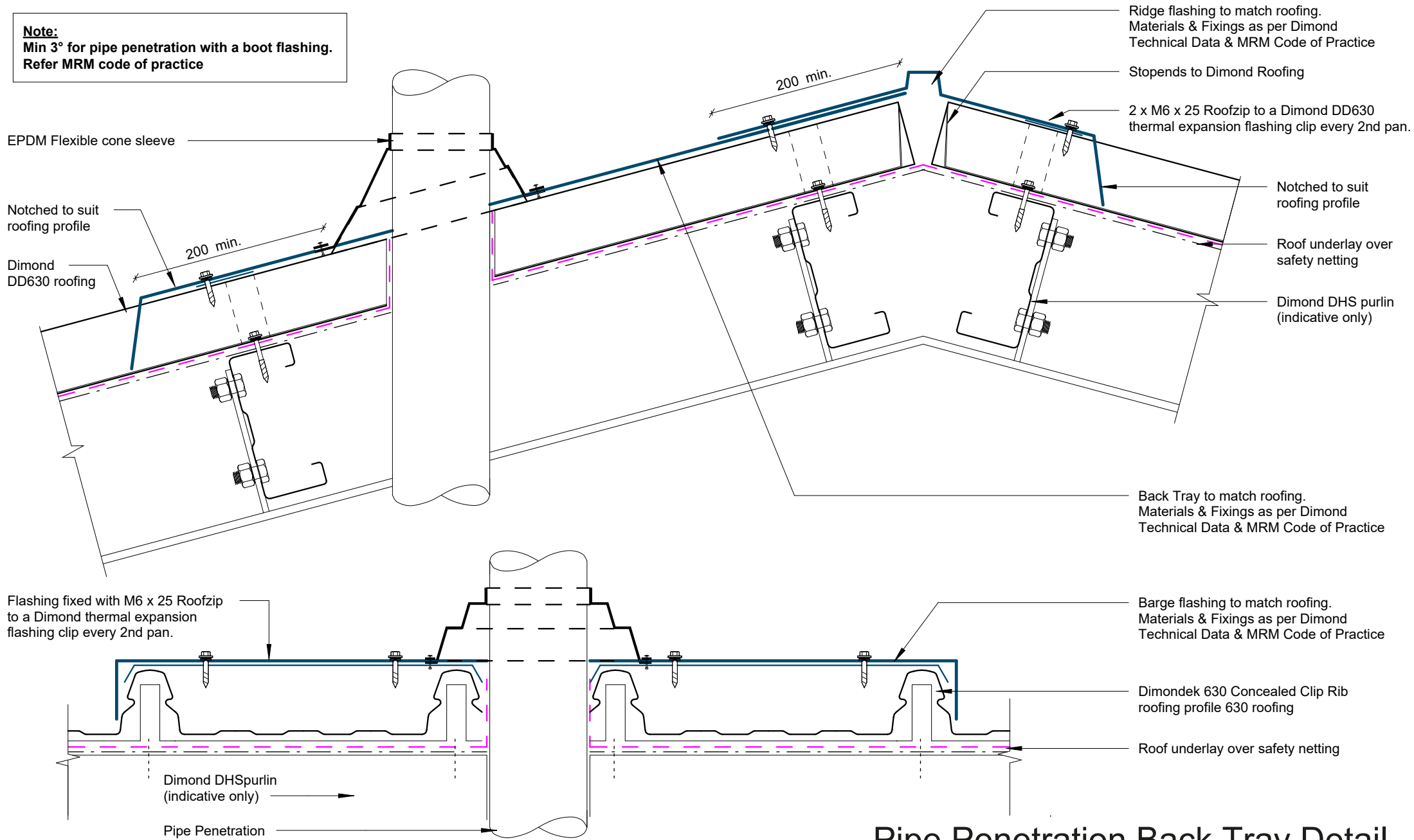


©Dimond 2023, all rights reserved. The information and specifications contained in this document are proprietary to Dimond and may not be used other than for the purpose of designing or building a roof or roofing system solely using products supplied or approved by Dimond ("Permitted Purpose"). You may copy this document solely for the Permitted Purpose, but may not otherwise copy, publish, distribute or modify this document without Dimond's prior written consent. Dimond will not be liable for any use of this document or information and specifications contained in this document, other than for the Permitted Purpose

Rev: 2 **Dimondek 630 Commercial Roofing**

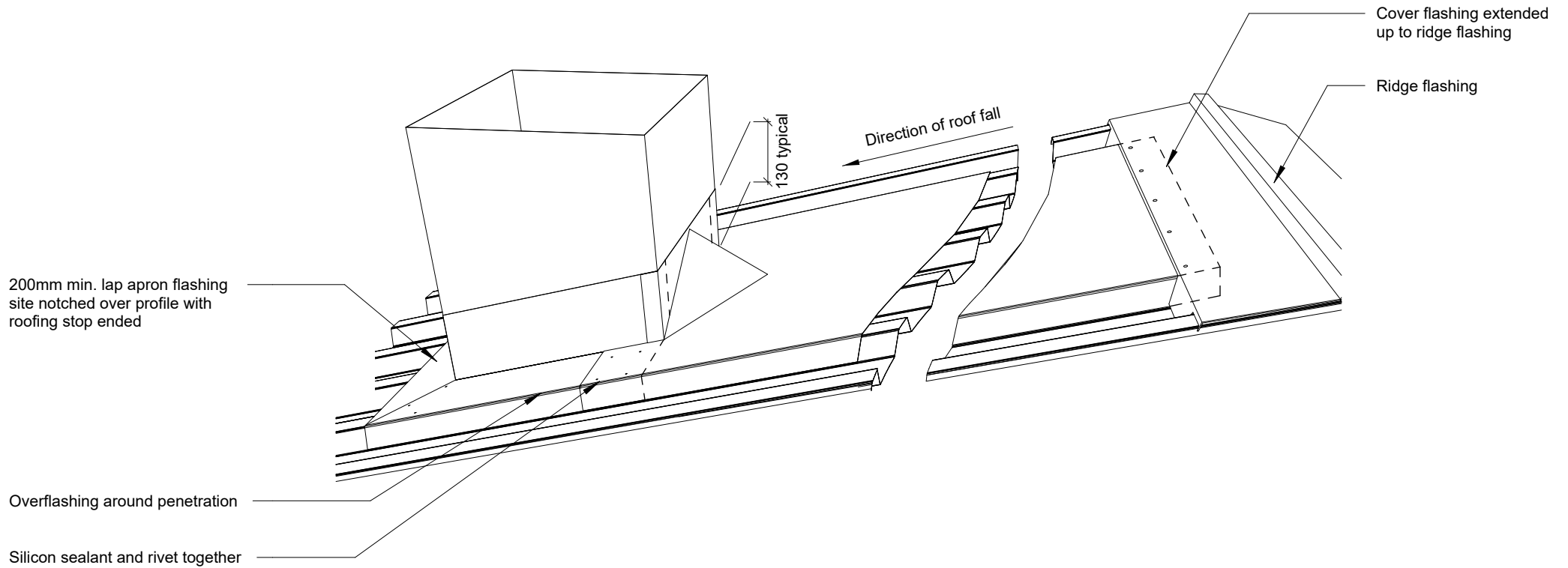
Date: Dec 2025 Scale: 1 : 5 Sheet: **DD6CR9**

Note:
 Min 3° for pipe penetration with a boot flashing.
 Refer MRM code of practice



Pipe Penetration Back Tray Detail

Rev: 2 **Dimondek 630 Commercial Roofing**



Large Penetration Detail

Rev: 2 **Dimondek 630 Commercial Roofing**