

DIMONDEK 400

RESIDENTIAL ROOFING

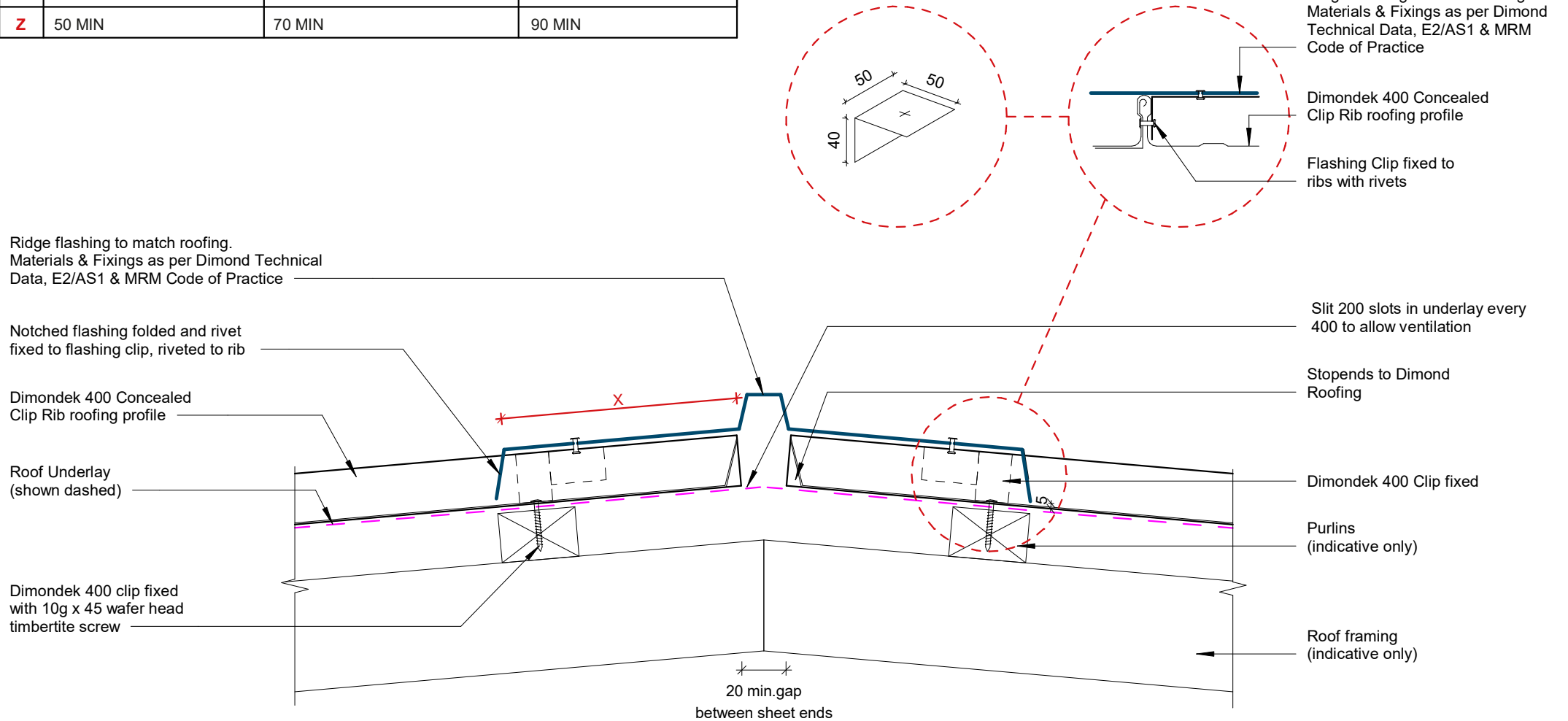
DETAILS:

REV: DATE:

DDRR0	Cover Sheet	1	May 2025
DDRR1	Ridge Flashing Detail	1	May 2025
DDRR2	Barge Wall Detail	1	May 2025
DDRR3	Barge Soffit Detail	1	May 2025
DDRR4	Raking Barge Flashing Detail	1	May 2025
DDRR5	Sawtooth Wall Detail	1	May 2025
DDRR6	Sawtooth Soffit Detail	1	May 2025
DDRR7	Parapet Apron Detail	1	May 2025
DDRR8	Apron Parallel Detail	1	May 2025
DDRR9	Apron Parallel Two Piece Detail	1	May 2025
DDRR10	Apron Transverse Detail	1	May 2025
DDRR11	Apron Transverse Two Piece Detail	1	May 2025
DDRR12	Change of Pitch Detail	1	May 2025
DDRR13	Mansard Detail	1	May 2025
DDRR14	Valley Detail	1	May 2025
DDRR15	Internal Gutter Detail	1	May 2025
DDRR16	Parallel Hidden Gutter Detail	1	May 2025
DDRR17	Parallel Hidden Gutter Two Piece Detail	1	May 2025
DDRR18	Eave Detail	1	May 2025
DDRR19	Pipe Penetration Direct Fix Detail	1	May 2025
DDRR20	Pipe Penetration Back Tray Detail	1	May 2025

COVER DIMENSIONS AS PER E2/AS1

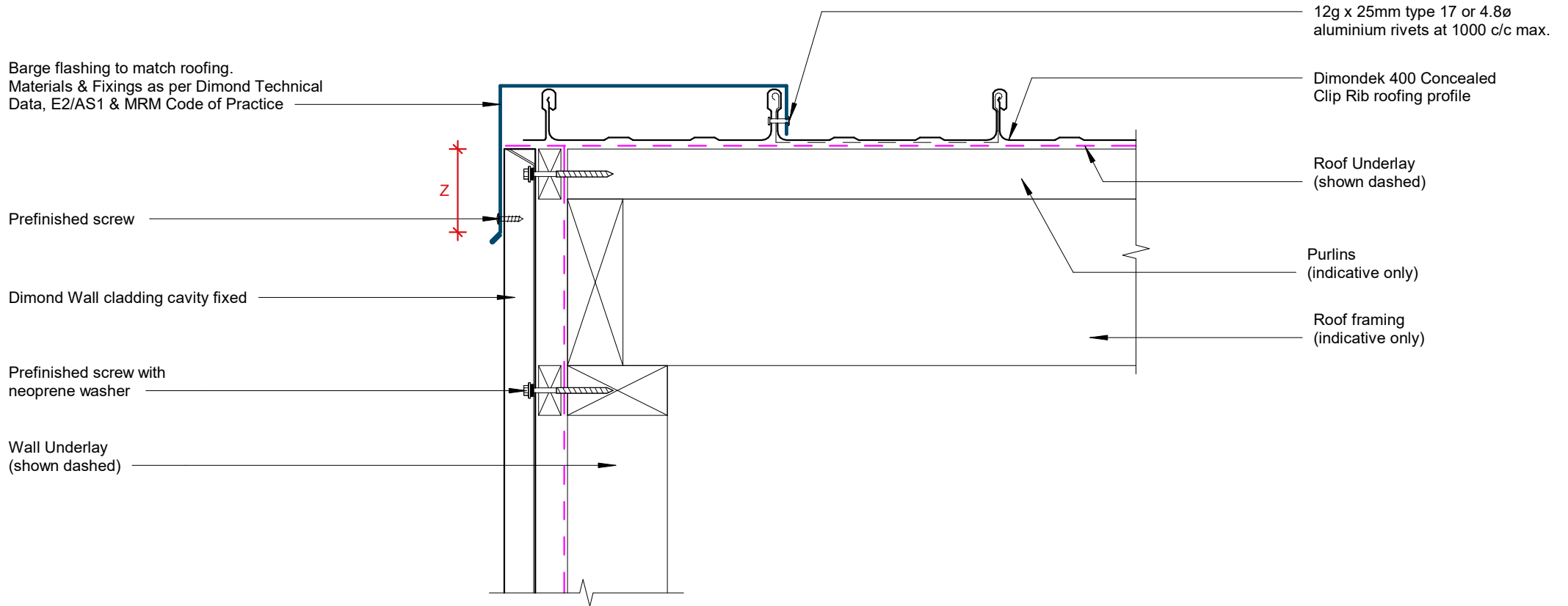
	SITUATION 1	SITUATION 2	SITUATION 3
	Low, Medium & High Wind Zones where roof pitch $\geq 10^\circ$	All roof pitches in Very High zone. Low, Medium & High Wind Zones where roof pitch $\leq 10^\circ$	All roof pitches in Extra High wind zone
X	130 MIN	200 MIN	200 MIN
Z	50 MIN	70 MIN	90 MIN



Ridge Flashing Detail

COVER DIMENSIONS AS PER E2/AS1

	SITUATION 1	SITUATION 2	SITUATION 3
	Low, Medium & High Wind Zones where roof pitch $\geq 10^\circ$	All roof pitches in Very High zone. Low, Medium & High Wind Zones where roof pitch $\leq 10^\circ$	All roof pitches in Extra High wind zone
X	130 MIN	200 MIN	200 MIN
Z	50 MIN	70 MIN	90 MIN



GENERAL NOTE

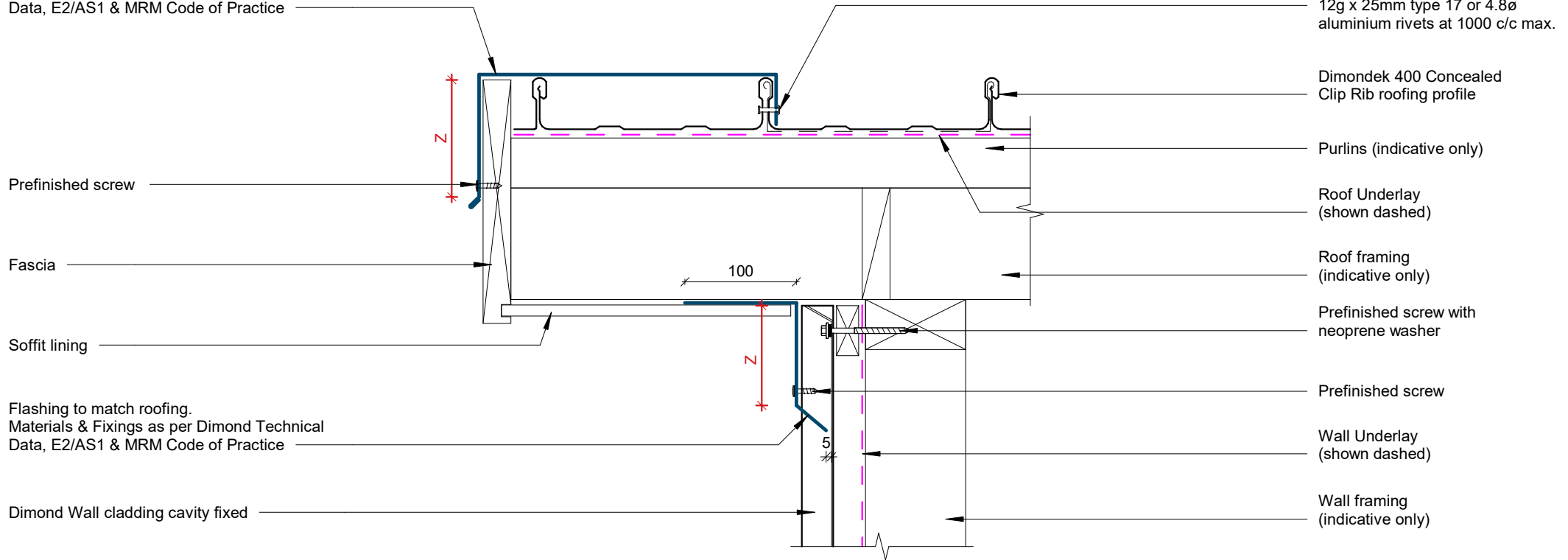
Cavity battens or timber framing that contain copper must be separated from steel cladding by a strip of wall or roof underlay or DPC.

Barge Wall Detail

COVER DIMENSIONS AS PER E2/AS1

	SITUATION 1	SITUATION 2	SITUATION 3
	Low, Medium & High Wind Zones where roof pitch $\geq 10^\circ$	All roof pitches in Very High zone. Low, Medium & High Wind Zones where roof pitch $\leq 10^\circ$	All roof pitches in Extra High wind zone
X	130 MIN	200 MIN	200 MIN
Z	50 MIN	70 MIN	90 MIN

Barge flashing to match roofing.
Materials & Fixings as per Dimond Technical Data, E2/AS1 & MRM Code of Practice

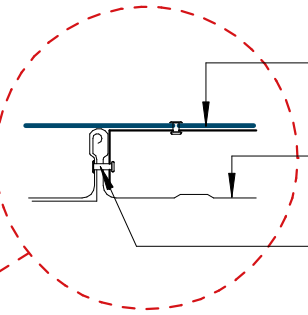
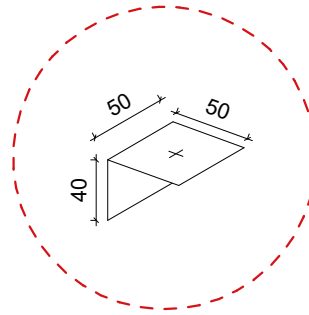


GENERAL NOTE

Cavity battens or timber framing that contain copper must be separated from steel cladding by a strip of wall or roof underlay or DPC.

Barge Soffit Detail

COVER DIMENSIONS AS PER E2/AS1		
SITUATION 1	SITUATION 2	SITUATION 3
Low, Medium & High Wind Zones where roof pitch $\geq 10^\circ$	All roof pitches in Very High zone. Low, Medium & High Wind Zones where roof pitch $\leq 10^\circ$	All roof pitches in Extra High wind zone
X 130 MIN	200 MIN	200 MIN
Z 50 MIN	70 MIN	90 MIN



Ridge flashing to match roofing. Materials & Fixings as per Dimond Technical Data, E2/AS1 & MRM Code of Practice

Dimondek 400 Concealed Clip Rib roofing profile

Flashing Clip fixed to ribs with rivets

Notched flashing folded and rivet fixed to flashing clip, riveted to rib

Dimondek 400 Concealed Clip Rib roofing profile

Roof Underlay (shown dashed)

Purlins (indicative only)

Dimondek 400 clip fixed with 10g x 45 wafer head timbertite screw

Prefinished screw with neoprene washer

Prefinished screw

Wall Underlay (shown dashed)

Wall framing (shown indicative only)

Barge flashing to match roofing. Materials & Fixings as per Dimond Technical Data, E2/AS1 & MRM Code of Practice

Stopsends to Dimond Roofing

Prefinished screw

Fascia

Roof framing (indicative only)

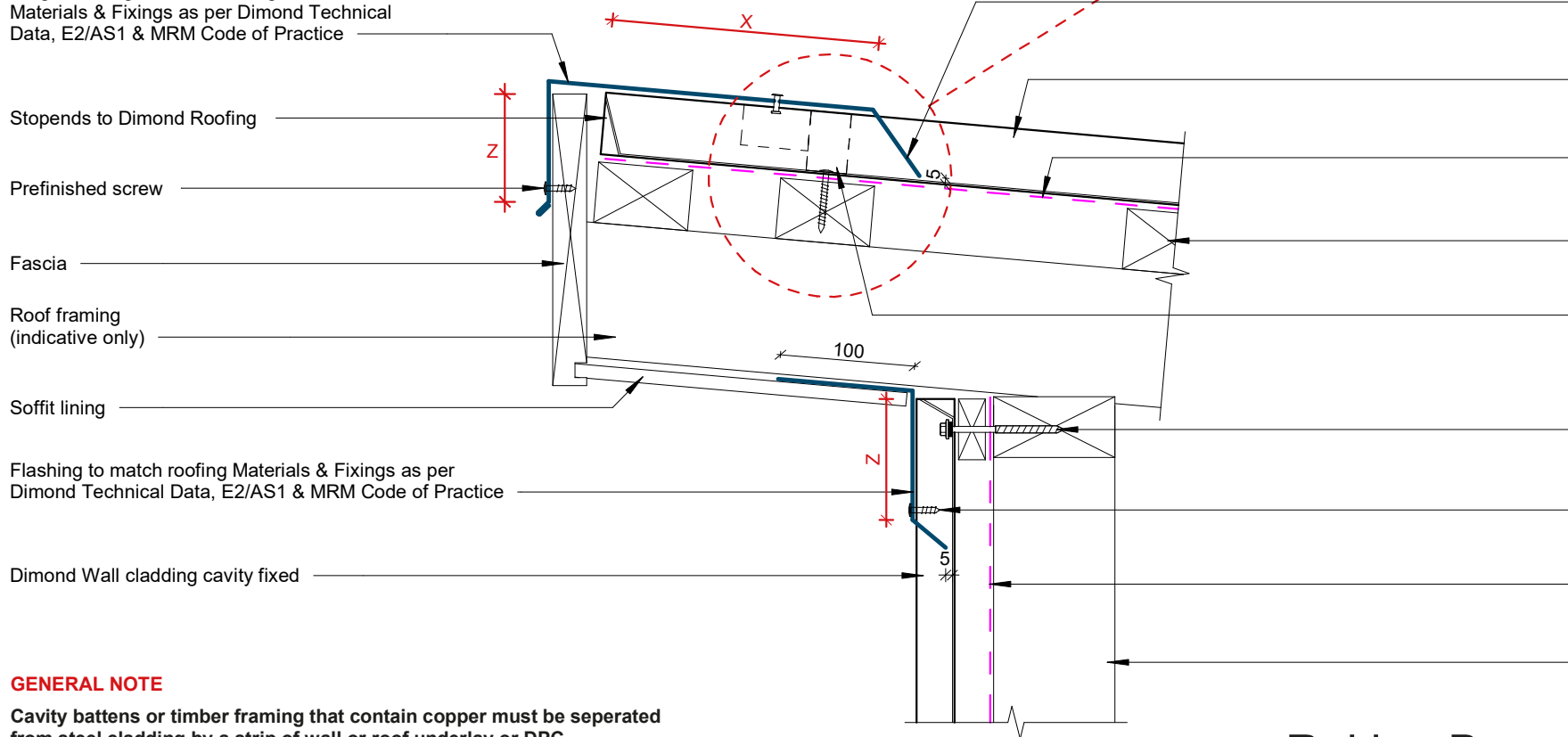
Soffit lining

Flashing to match roofing Materials & Fixings as per Dimond Technical Data, E2/AS1 & MRM Code of Practice

Dimond Wall cladding cavity fixed

GENERAL NOTE

Cavity battens or timber framing that contain copper must be separated from steel cladding by a strip of wall or roof underlay or DPC.



Raking Barge Flashing Detail

Rev: 1

DD400 Residential Roofing



©Dimond 2023, all rights reserved. The information and specifications contained in this document are proprietary to Dimond and may not be used other than for the purpose of designing or building a roof or roofing system solely using products supplied or approved by Dimond ("Permitted Purpose"). You may copy this document solely for the Permitted Purpose, but may not otherwise copy, publish, distribute or modify this document without Dimond's prior written consent. Dimond will not be liable for any use of this document or information and specifications contained in this document, other than for the Permitted Purpose

Date: May 2025 Scale: 1 : 5 Sheet: DRR4

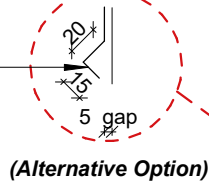
COVER DIMENSIONS AS PER E2/AS1

	SITUATION 1	SITUATION 2	SITUATION 3
	Low, Medium & High Wind Zones where roof pitch $\geq 10^\circ$	All roof pitches in Very High zone. Low, Medium & High Wind Zones where roof pitch $\leq 10^\circ$	All roof pitches in Extra High wind zone
X	130 MIN	200 MIN	200 MIN
Z	50 MIN	70 MIN	90 MIN

Stopsends to Dimond Roofing

Flashing to match roofing.
Materials & Fixings as per Dimond Technical Data, E2/AS1 & MRM Code of Practice

Birds beak edge



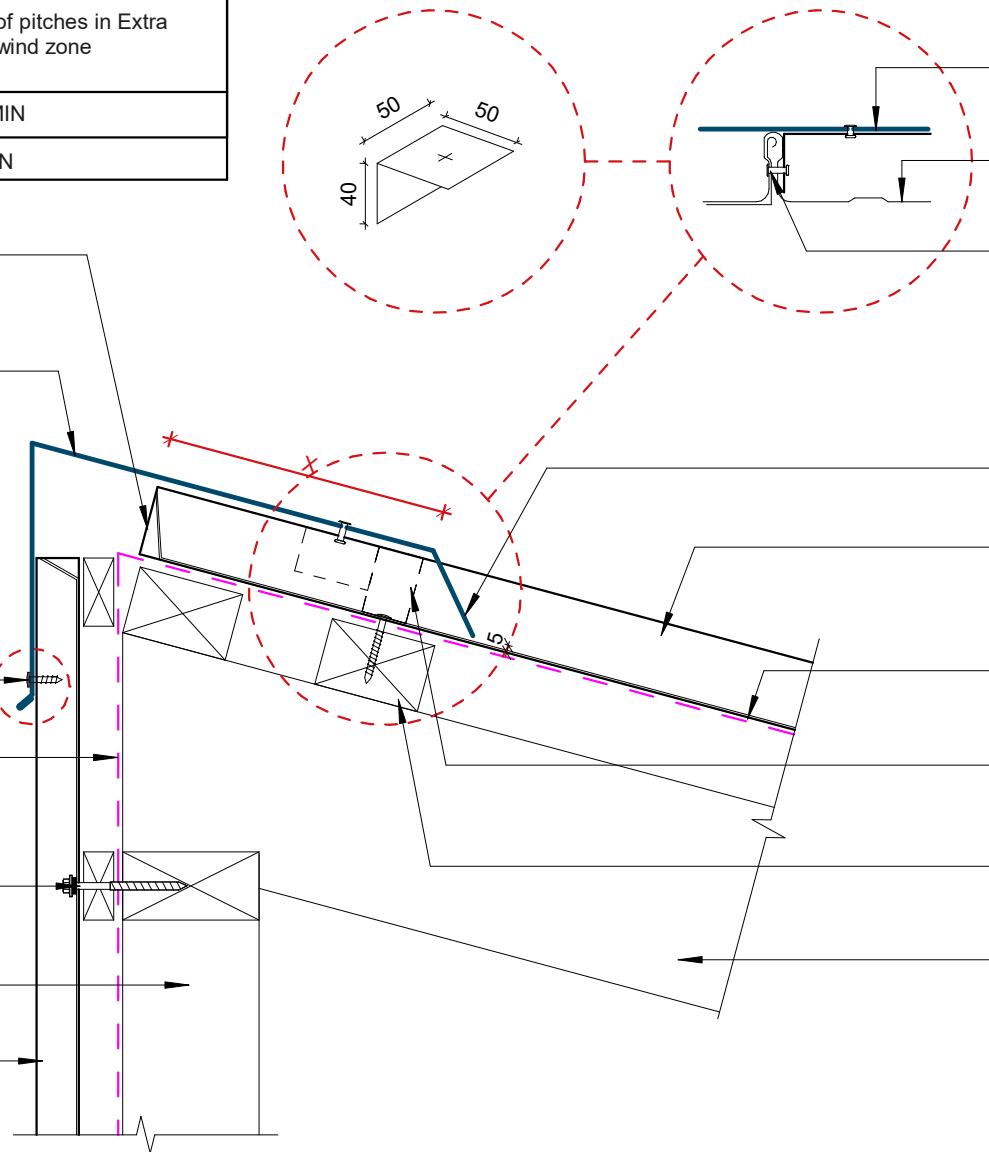
Prefinished screw

Wall Underlay (shown dashed)

Prefinished screw with neoprene washer

Wall framing (show indicative only)

Dimond Wall cladding cavity fixed



Ridge flashing to match roofing.
Materials & Fixings as per Dimond Technical Data, E2/AS1 & MRM Code of Practice

Dimondek 400 Concealed Clip Rib roofing profile

Flashing Clip fixed to ribs with rivets

Notched flashing folded and rivet fixed to flashing clip, riveted to rib

Dimondek 400 Concealed Clip Rib roofing profile

Roof Underlay lapped over Wall underlay (shown dashed)

Dimondek 400 Clip fixed

Purlins (indicative only)

Roof framing (indicative only)

GENERAL NOTE

Cavity battens or timber framing that contain copper must be separated from steel cladding by a strip of wall or roof underlay or DPC.

Sawtooth Wall Detail

Rev: 1

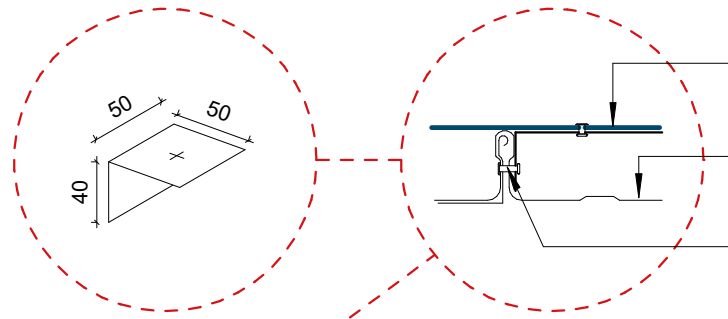
DD400 Residential Roofing



©Dimond 2023, all rights reserved. The information and specifications contained in this document are proprietary to Dimond and may not be used other than for the purpose of designing or building a roof or roofing system solely using products supplied or approved by Dimond ("Permitted Purpose"). You may copy this document solely for the Permitted Purpose, but may not otherwise copy, publish, distribute or modify this document without Dimond's prior written consent. Dimond will not be liable for any use of this document or information and specifications contained in this document, other than for the Permitted Purpose

Date: May 2025 Scale: 1 : 5 Sheet: **DDRR5**

COVER DIMENSIONS AS PER E2/AS1		
SITUATION 1	SITUATION 2	SITUATION 3
Low, Medium & High Wind Zones where roof pitch $\geq 10^\circ$	All roof pitches in Very High zone. Low, Medium & High Wind Zones where roof pitch $\leq 10^\circ$	All roof pitches in Extra High wind zone
X 130 MIN	200 MIN	200 MIN
Z 50 MIN	70 MIN	90 MIN



Ridge flashing to match roofing. Materials & Fixings as per Dimond Technical Data, E2/AS1 & MRM Code of Practice

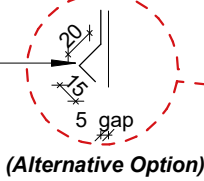
Dimondek 400 Concealed Clip Rib roofing profile

Flashing Clip fixed to ribs with rivets

Flashing to match roofing. Materials & Fixings as per Dimond Technical Data, E2/AS1 & MRM Code of Practice

Stops to Dimond Roofing

Birds beak edge



Prefinished screw

Fascia

Soffit lining

Roof framing (indicative only)

Dimondek 400 clip fixed with 10g x 45 wafer head timbertite screw

Flashing to match roofing. Materials & Fixings as per Dimond Technical Data, E2/AS1 & MRM Code of Practice

Dimond Wall cladding cavity fixed

Notched flashing folded and rivet fixed to flashing clip, riveted to rib

Dimondek 400 Concealed Clip Rib roofing profile

Roof Underlay lapped over Wall underlay (shown dashed)

Dimondek 400 Clip fixed

Purlins (indicative only)

Prefinished screw with neoprene washer

Wall Underlay (shown dashed)

Wall framing (show indicative only)

GENERAL NOTE

Cavity battens or timber framing that contain copper must be separated from steel cladding by a strip of wall or roof underlay or DPC.

Sawtooth Soffit Detail

Rev: 1 DD400 Residential Roofing

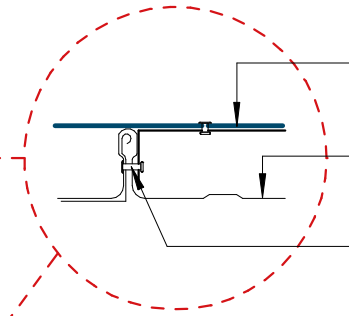
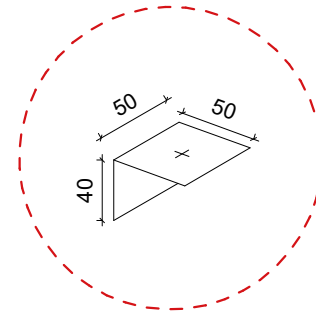


©Dimond 2023, all rights reserved. The information and specifications contained in this document are proprietary to Dimond and may not be used other than for the purpose of designing or building a roof or roofing system solely using products supplied or approved by Dimond ("Permitted Purpose"). You may copy this document solely for the Permitted Purpose, but may not otherwise copy, publish, distribute or modify this document without Dimond's prior written consent. Dimond will not be liable for any use of this document or information and specifications contained in this document, other than for the Permitted Purpose

Date: May 2025 Scale: 1 : 5 Sheet: DRR6

COVER DIMENSIONS AS PER E2/AS1

	SITUATION 1	SITUATION 2	SITUATION 3
	Low, Medium & High Wind Zones where roof pitch $\geq 10^\circ$	All roof pitches in Very High zone. Low, Medium & High Wind Zones where roof pitch $\leq 10^\circ$	All roof pitches in Extra High wind zone
X	130 MIN	200 MIN	200 MIN
Z	50 MIN	70 MIN	90 MIN



Ridge flashing to match roofing. Materials & Fixings as per Dimond Technical Data, E2/AS1 & MRM Code of Practice

Dimondek 400 Concealed Clip Rib roofing profile

Flashing Clip fixed to ribs with rivets

Underlay to provide separation of metal capping and timber

Apron flashing to match roofing. Materials & Fixings as per Dimond Technical Data, E2/AS1 & MRM Code of Practice

Notched flashing folded and rivet fixed to flashing clip, riveted to rib

Dimondek 400 Concealed Clip Rib roofing profile

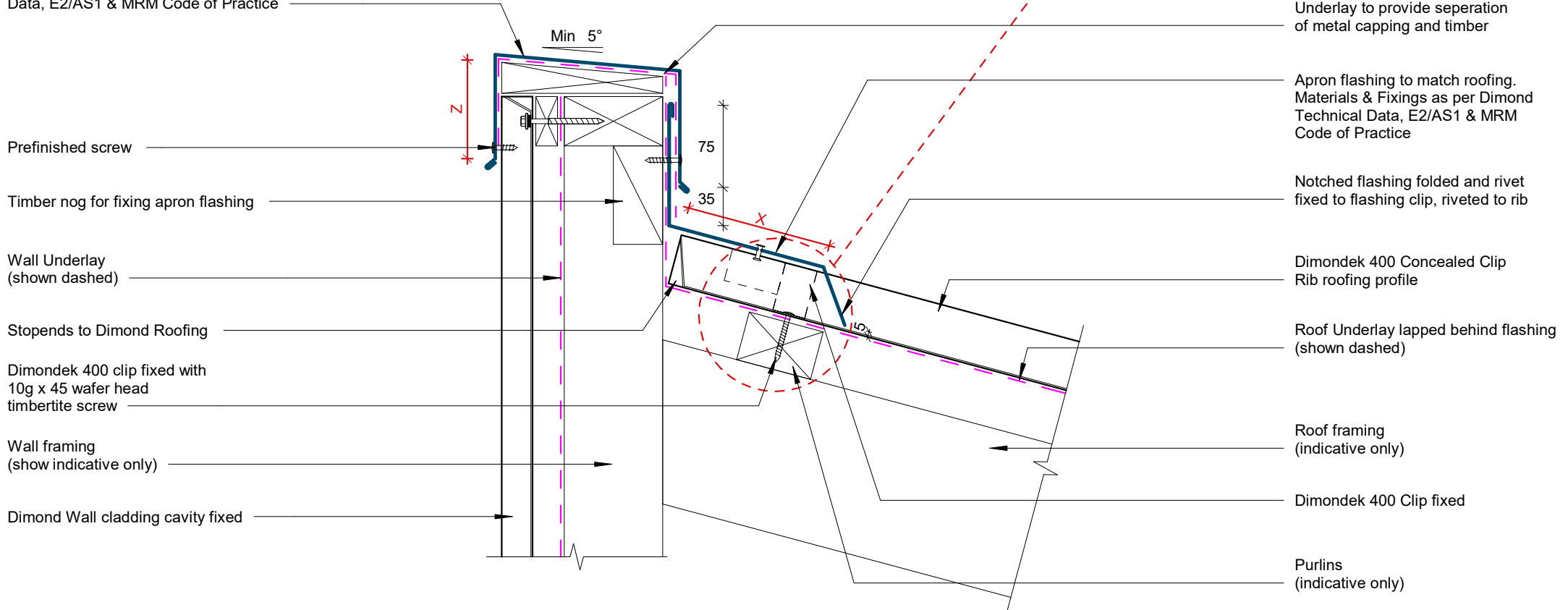
Roof Underlay lapped behind flashing (shown dashed)

Roof framing (indicative only)

Dimondek 400 Clip fixed

Purlins (indicative only)

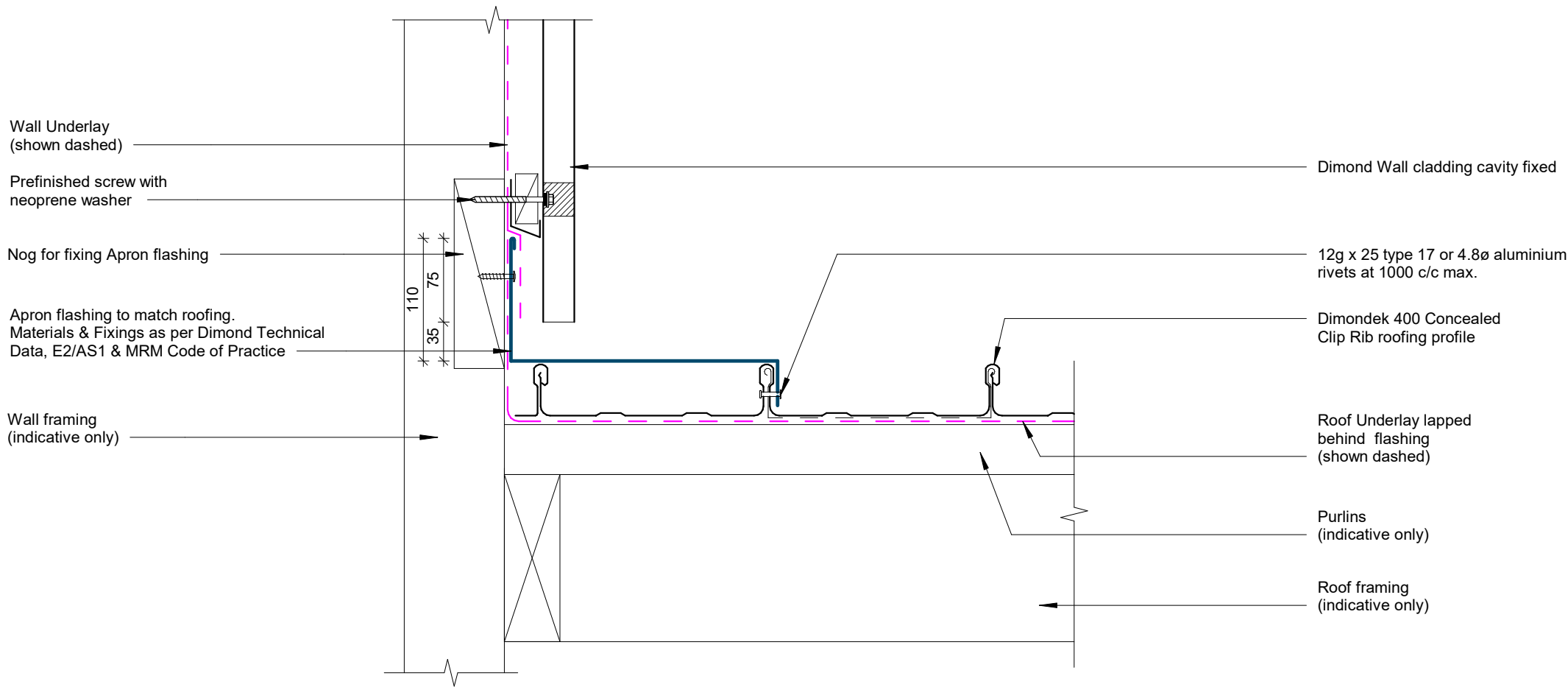
Parapet cap flashing to match roofing. Materials & Fixings as per Dimond Technical Data, E2/AS1 & MRM Code of Practice



GENERAL NOTE

Cavity battens or timber framing that contain copper must be separated from steel cladding by a strip of wall or roof underlay or DPC.

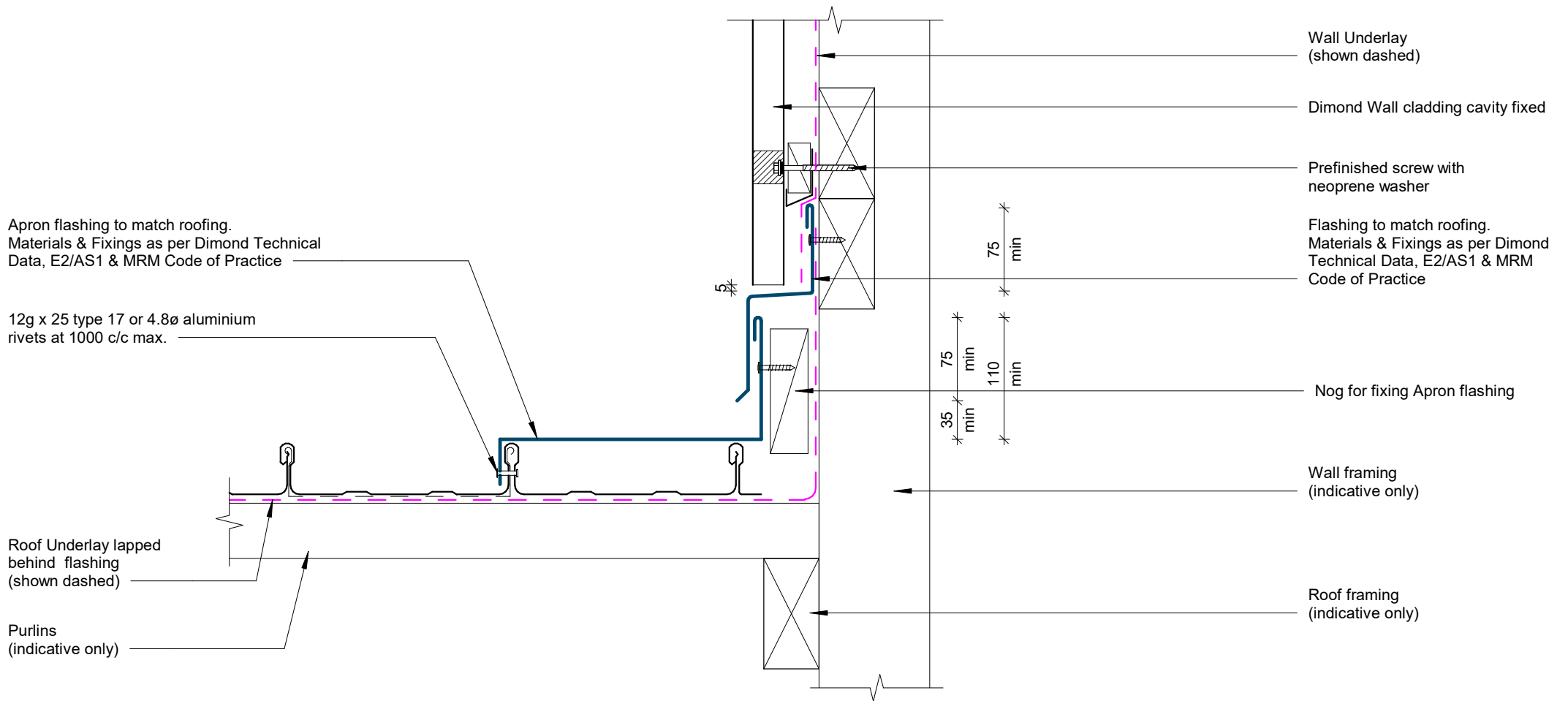
Parapet Apron Detail



GENERAL NOTE

Cavity battens or timber framing that contain copper must be separated from steel cladding by a strip of wall or roof underlay or DPC.

Apron Parallel Detail



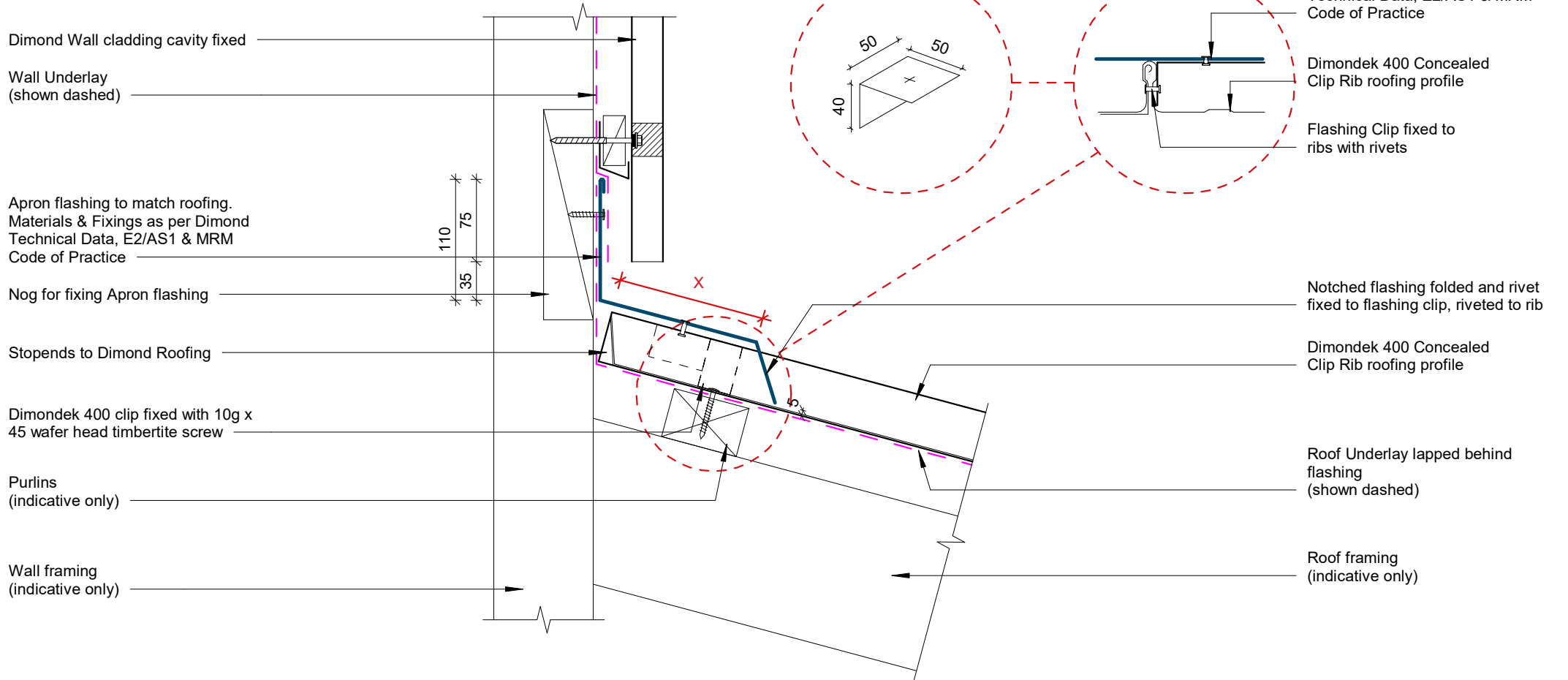
GENERAL NOTE

Cavity battens or timber framing that contain copper must be separated from steel cladding by a strip of wall or roof underlay or DPC.

Apron Parallel Two Piece Detail

COVER DIMENSIONS AS PER E2/AS1

	SITUATION 1	SITUATION 2	SITUATION 3
	Low, Medium & High Wind Zones where roof pitch $\geq 10^\circ$	All roof pitches in Very High zone. Low, Medium & High Wind Zones where roof pitch $\leq 10^\circ$	All roof pitches in Extra High wind zone
X	130 MIN	200 MIN	200 MIN
Z	50 MIN	70 MIN	90 MIN



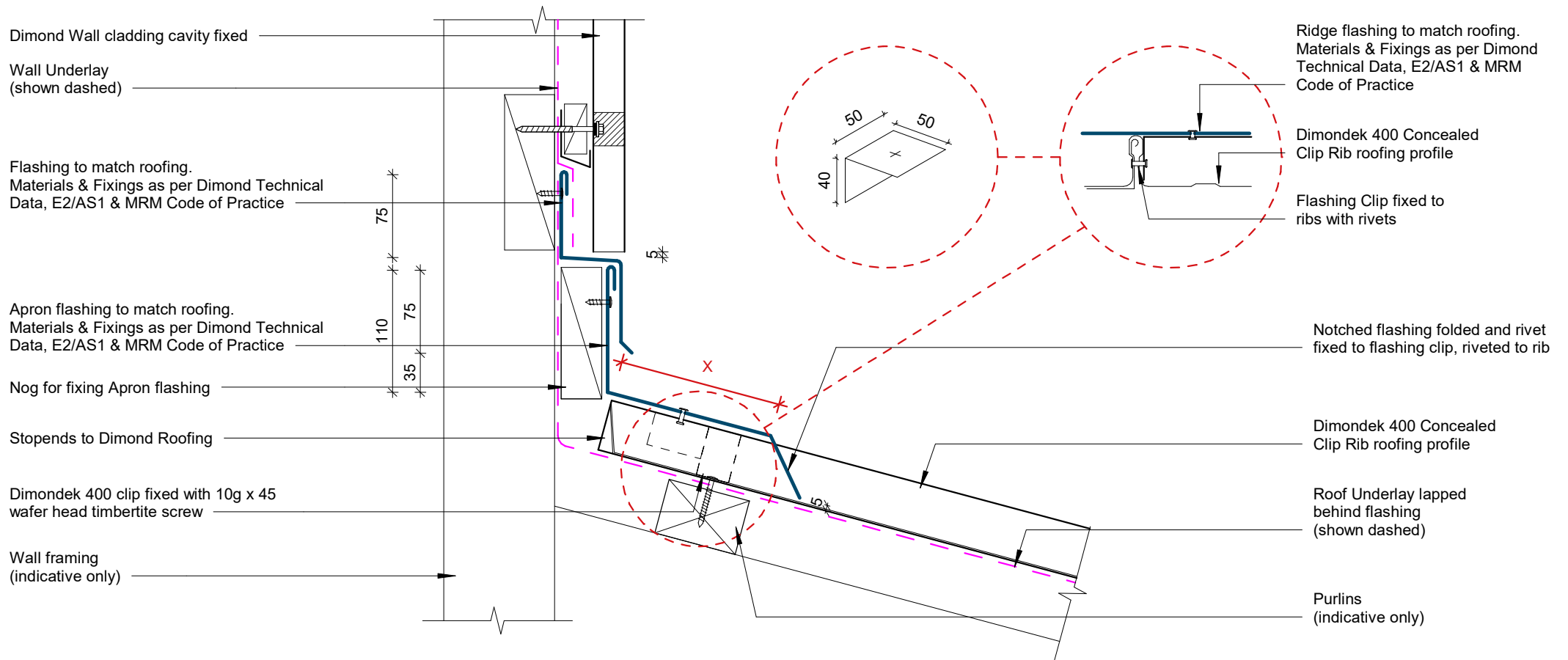
GENERAL NOTE

Cavity battens or timber framing that contain copper must be separated from steel cladding by a strip of wall or roof underlay or DPC.

Apron Transverse Detail

COVER DIMENSIONS AS PER E2/AS1

	SITUATION 1	SITUATION 2	SITUATION 3
	Low, Medium & High Wind Zones where roof pitch $\geq 10^\circ$	All roof pitches in Very High zone. Low, Medium & High Wind Zones where roof pitch $\leq 10^\circ$	All roof pitches in Extra High wind zone
X	130 MIN	200 MIN	200 MIN
Z	50 MIN	70 MIN	90 MIN



GENERAL NOTE

Cavity battens or timber framing that contain copper must be separated from steel cladding by a strip of wall or roof underlay or DPC.

Apron Transverse Two Piece Detail



©Dimond 2023, all rights reserved. The information and specifications contained in this document are proprietary to Dimond and may not be used other than for the purpose of designing or building a roof or roofing system solely using products supplied or approved by Dimond ("Permitted Purpose"). You may copy this document solely for the Permitted Purpose, but may not otherwise copy, publish, distribute or modify this document without Dimond's prior written consent. Dimond will not be liable for any use of this document or information and specifications contained in this document, other than for the Permitted Purpose

Rev: 1

DD400 Residential Roofing

Date: May 2025 Scale: 1 : 5 Sheet: **DDRR11**

COVER DIMENSIONS AS PER E2/AS1

	SITUATION 1	SITUATION 2	SITUATION 3
	Low, Medium & High Wind Zones where roof pitch $\geq 10^\circ$	All roof pitches in Very High zone. Low, Medium & High Wind Zones where roof pitch $\leq 10^\circ$	All roof pitches in Extra High wind zone
X	130 MIN	200 MIN	200 MIN
Z	50 MIN	70 MIN	90 MIN

Ridge flashing to match roofing.
Materials & Fixings as per Dimond Technical Data, E2/AS1 & MRM Code of Practice

Dimondek 400 Concealed Clip Rib roofing profile

Flashing Clip fixed to ribs with rivets

Dimondek 400 clip fixed with 10g x 45 wafer head timbertite screw

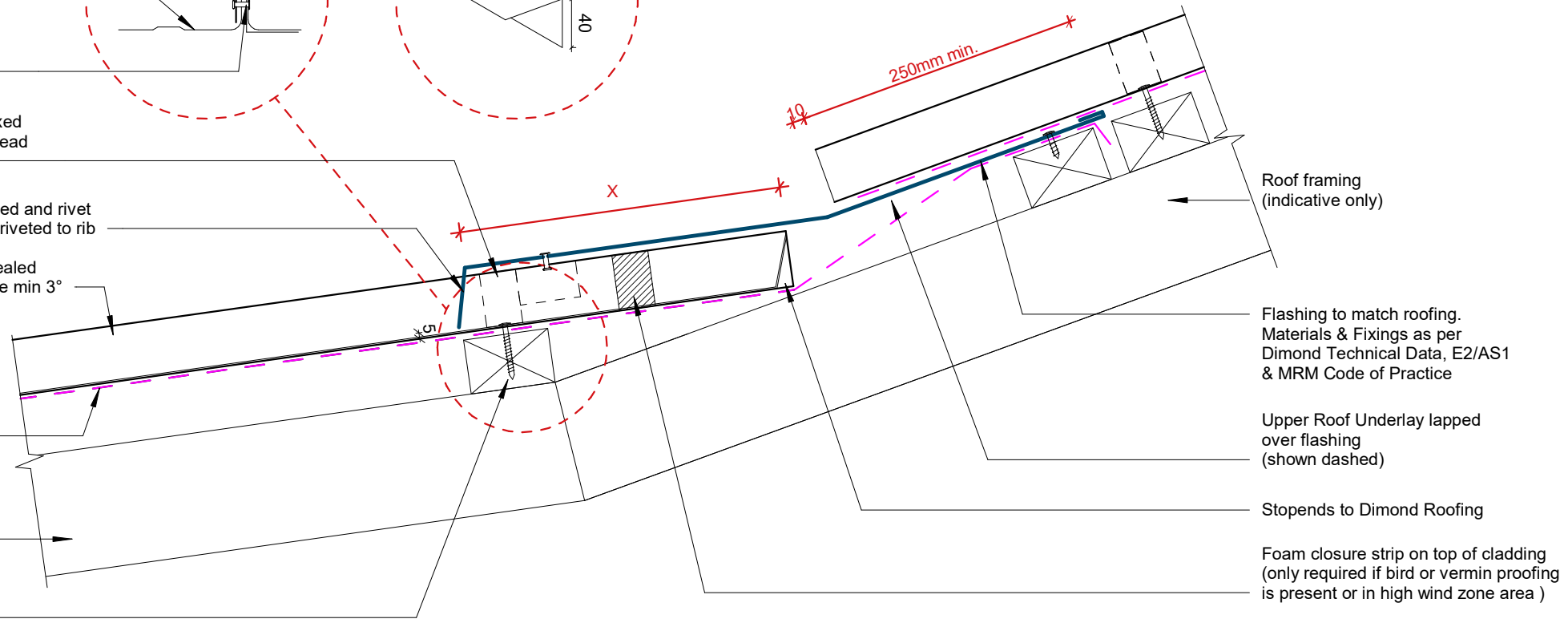
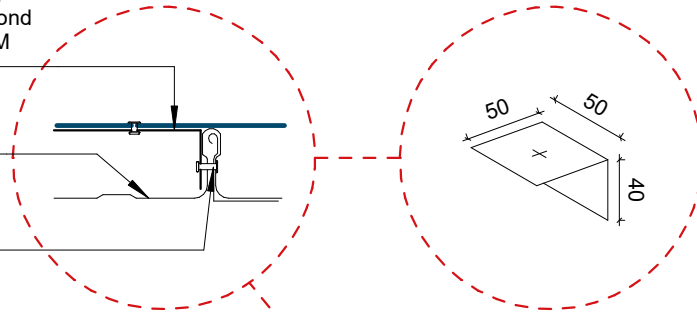
Notched flashing folded and rivet fixed to flashing clip, riveted to rib

Dimondek 400 Concealed Clip Rib roofing profile min 3°

Roof Underlay (shown dashed)

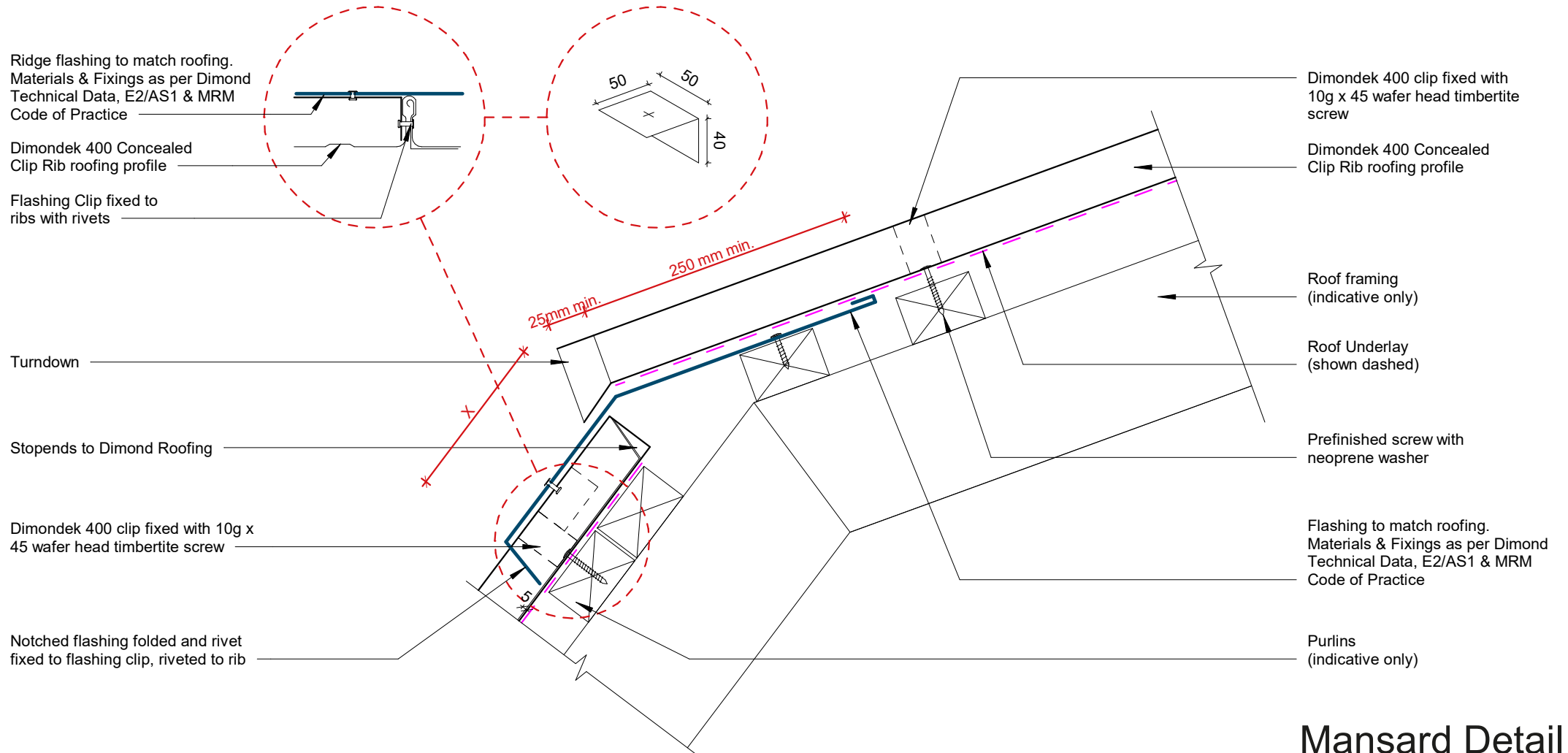
Roof framing (indicative only)

Purlins (indicative only)

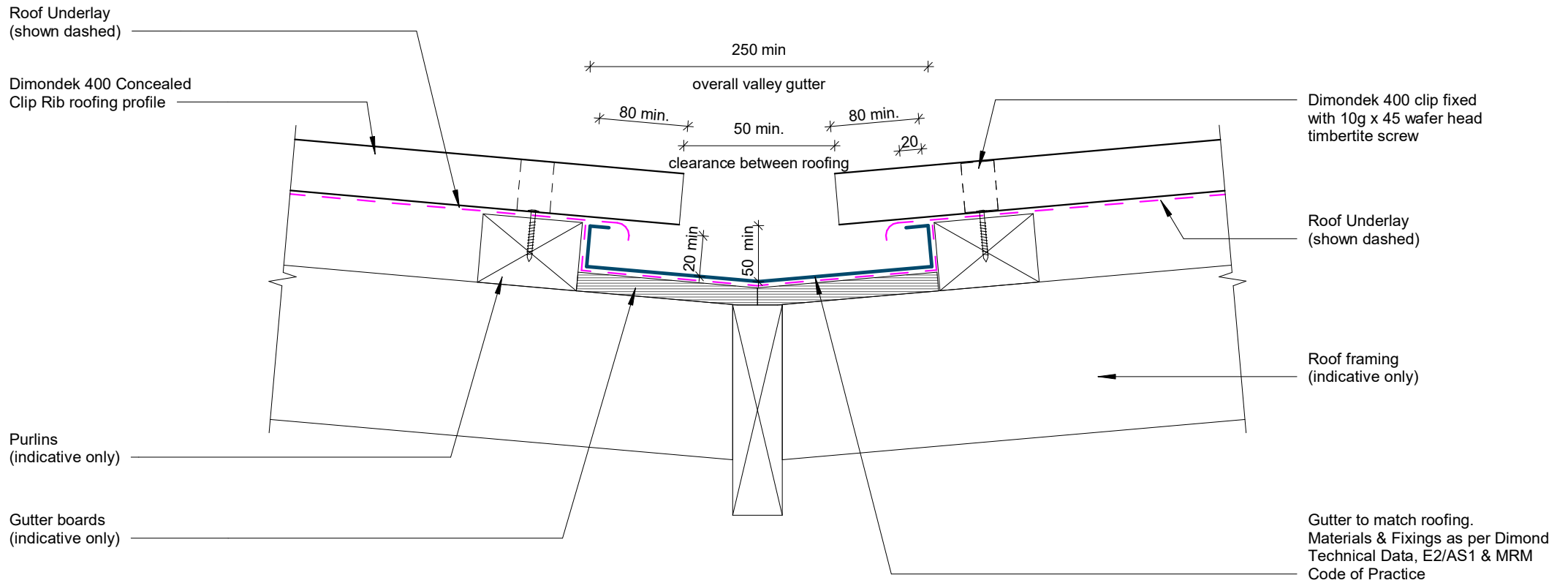


Change of Pitch Detail

COVER DIMENSIONS AS PER E2/AS1		
SITUATION 1	SITUATION 2	SITUATION 3
Low, Medium & High Wind Zones where roof pitch $\geq 10^\circ$	All roof pitches in Very High zone. Low, Medium & High Wind Zones where roof pitch $\leq 10^\circ$	All roof pitches in Extra High wind zone
X 130 MIN	200 MIN	200 MIN
Z 50 MIN	70 MIN	90 MIN



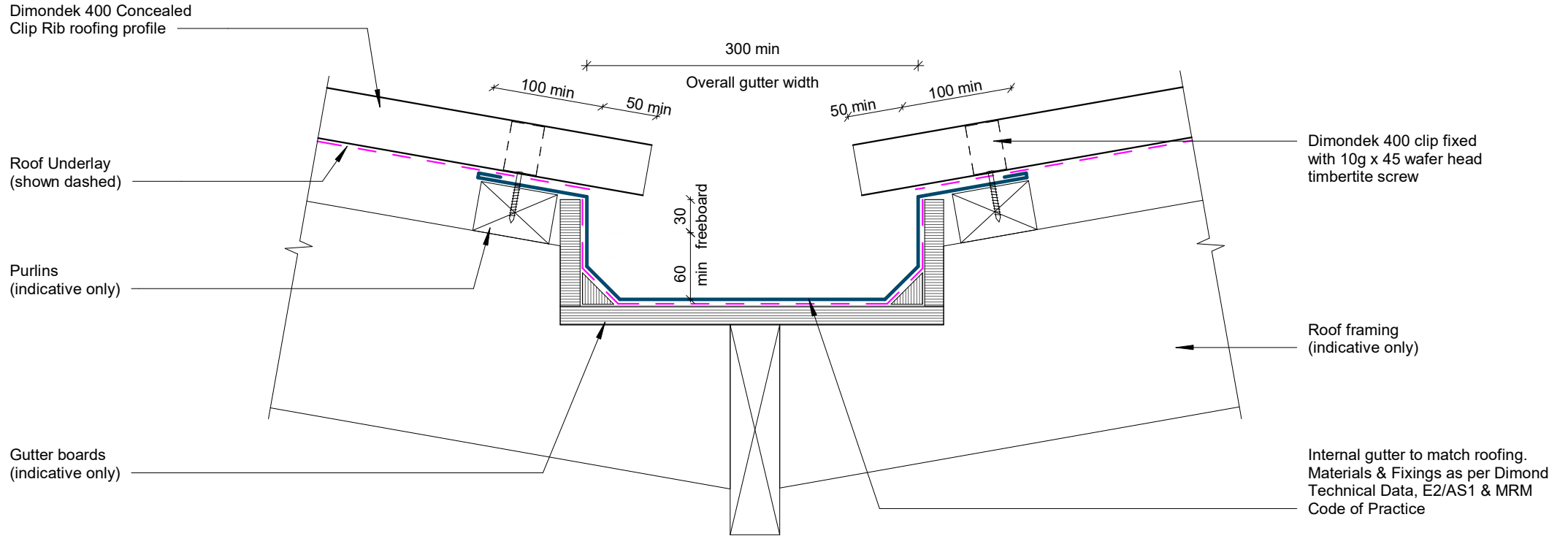
Mansard Detail



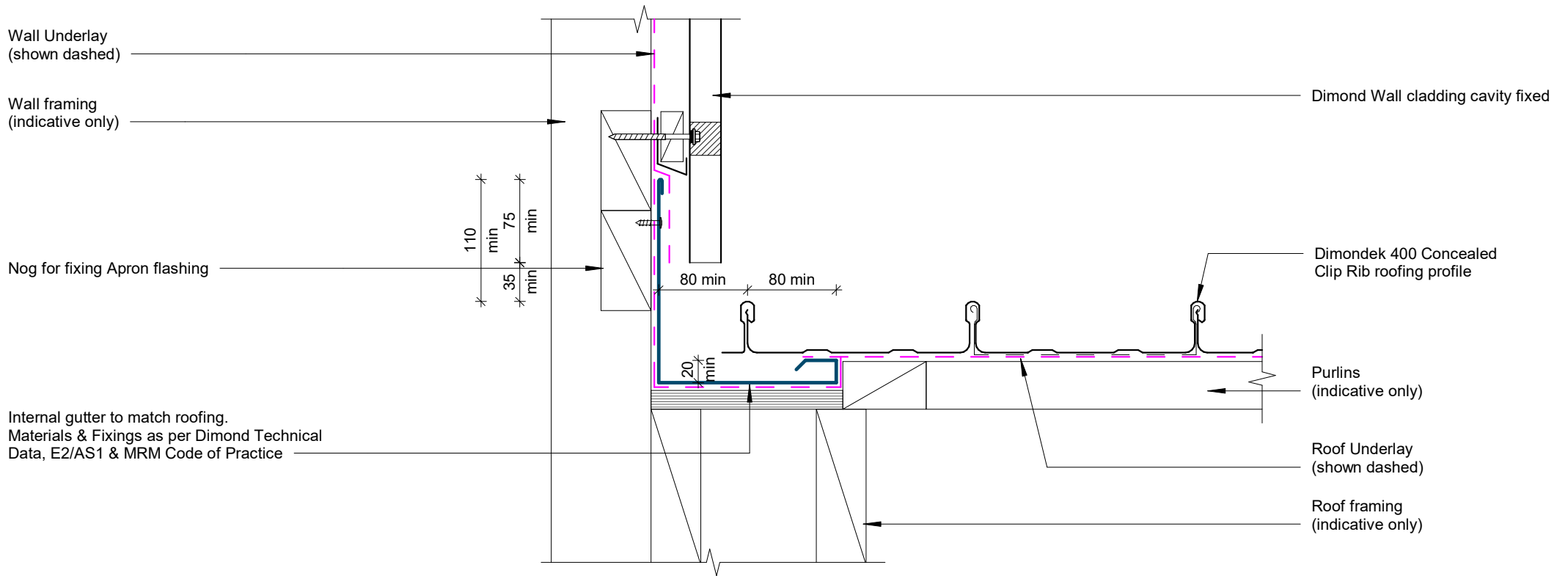
Refer to New Zealand metal roof manufacturers code of practice for design & minimum dimensions for valley gutter.

Valley Detail

Gutter size to E2/AS1 or MRM Code of practice.
Refer to New Zealand metal roof manufacturers code of practice for design & minimum dimensions.



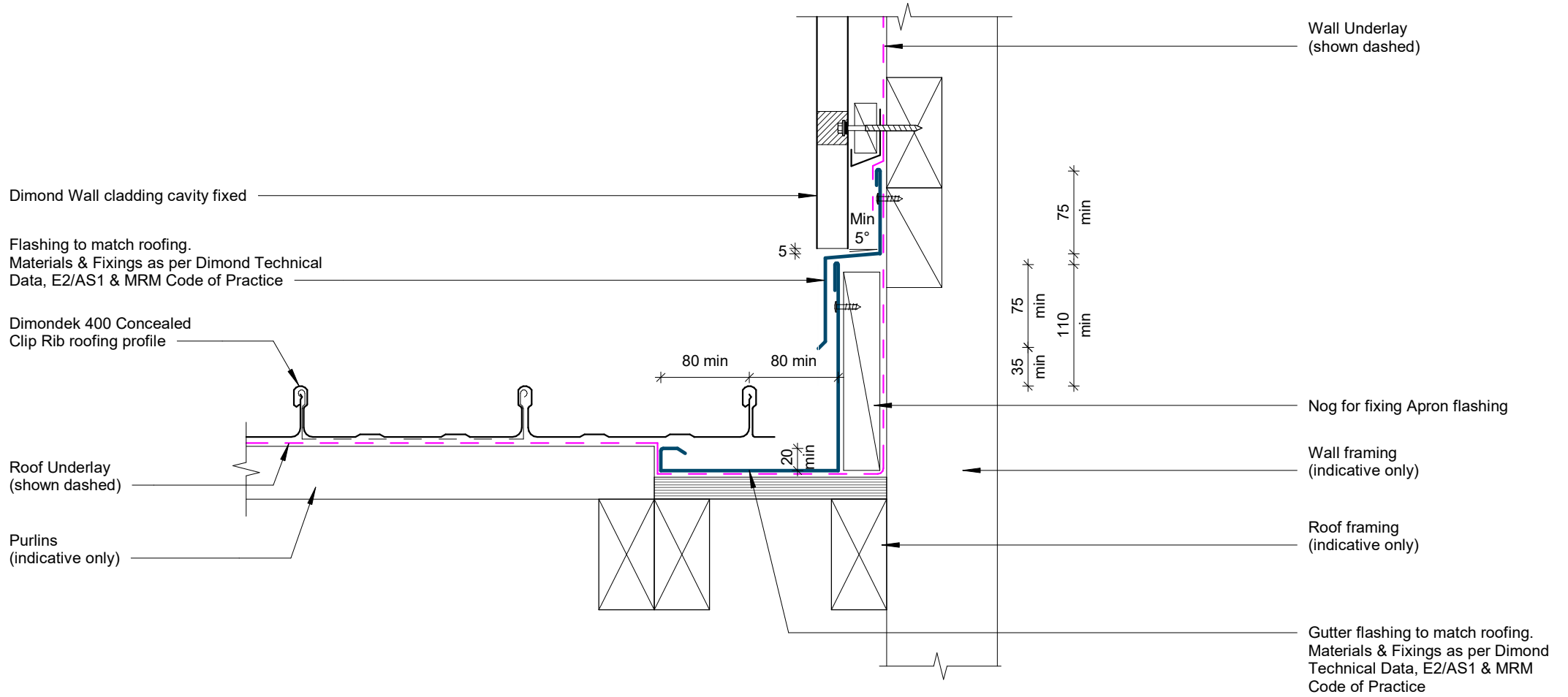
Internal Gutter Detail



GENERAL NOTE

Cavity battens or timber framing that contain copper must be separated from steel cladding by a strip of wall or roof underlay or DPC.

Parallel Hidden Gutter Detail



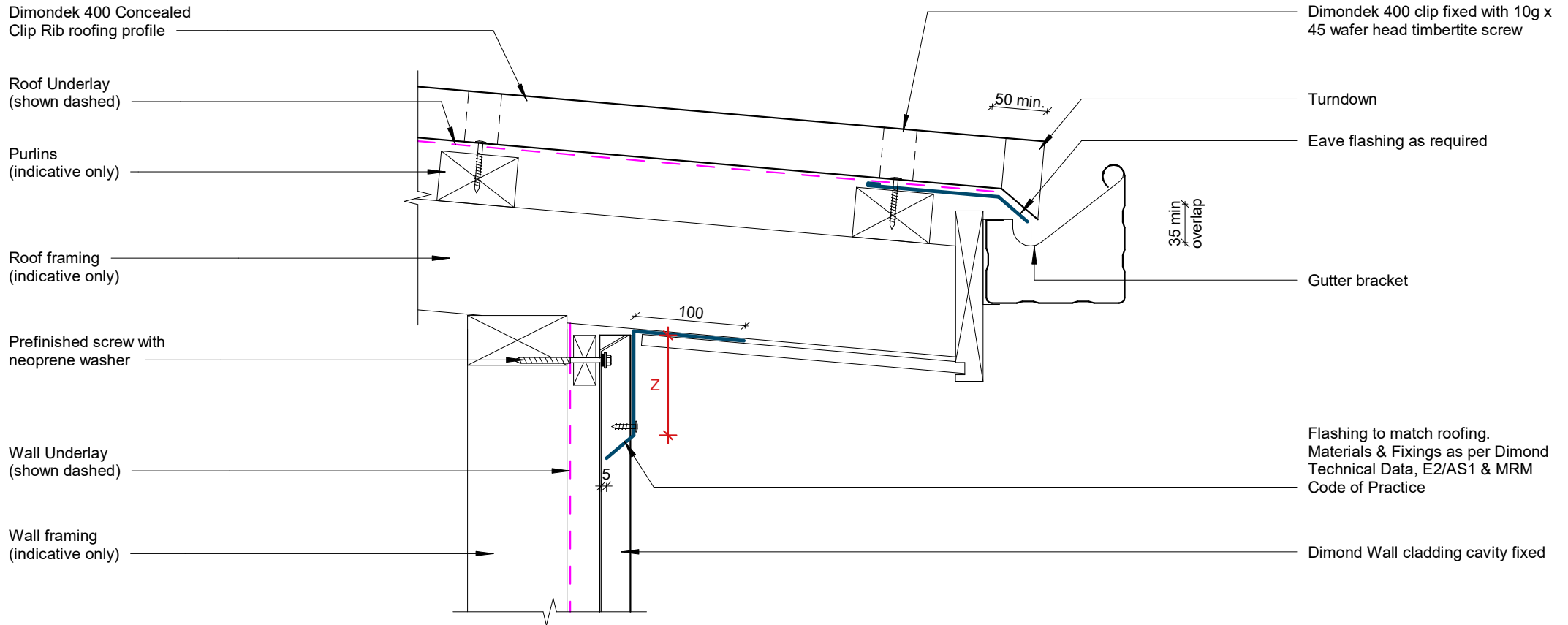
GENERAL NOTE

Cavity battens or timber framing that contain copper must be separated from steel cladding by a strip of wall or roof underlay or DPC.

Parallel Hidden Gutter Two Piece Detail

COVER DIMENSIONS AS PER E2/AS1

	SITUATION 1	SITUATION 2	SITUATION 3
	Low, Medium & High Wind Zones where roof pitch $\geq 10^\circ$	All roof pitches in Very High zone. Low, Medium & High Wind Zones where roof pitch $\leq 10^\circ$	All roof pitches in Extra High wind zone
X	130 MIN	200 MIN	200 MIN
Z	50 MIN	70 MIN	90 MIN



GENERAL NOTE

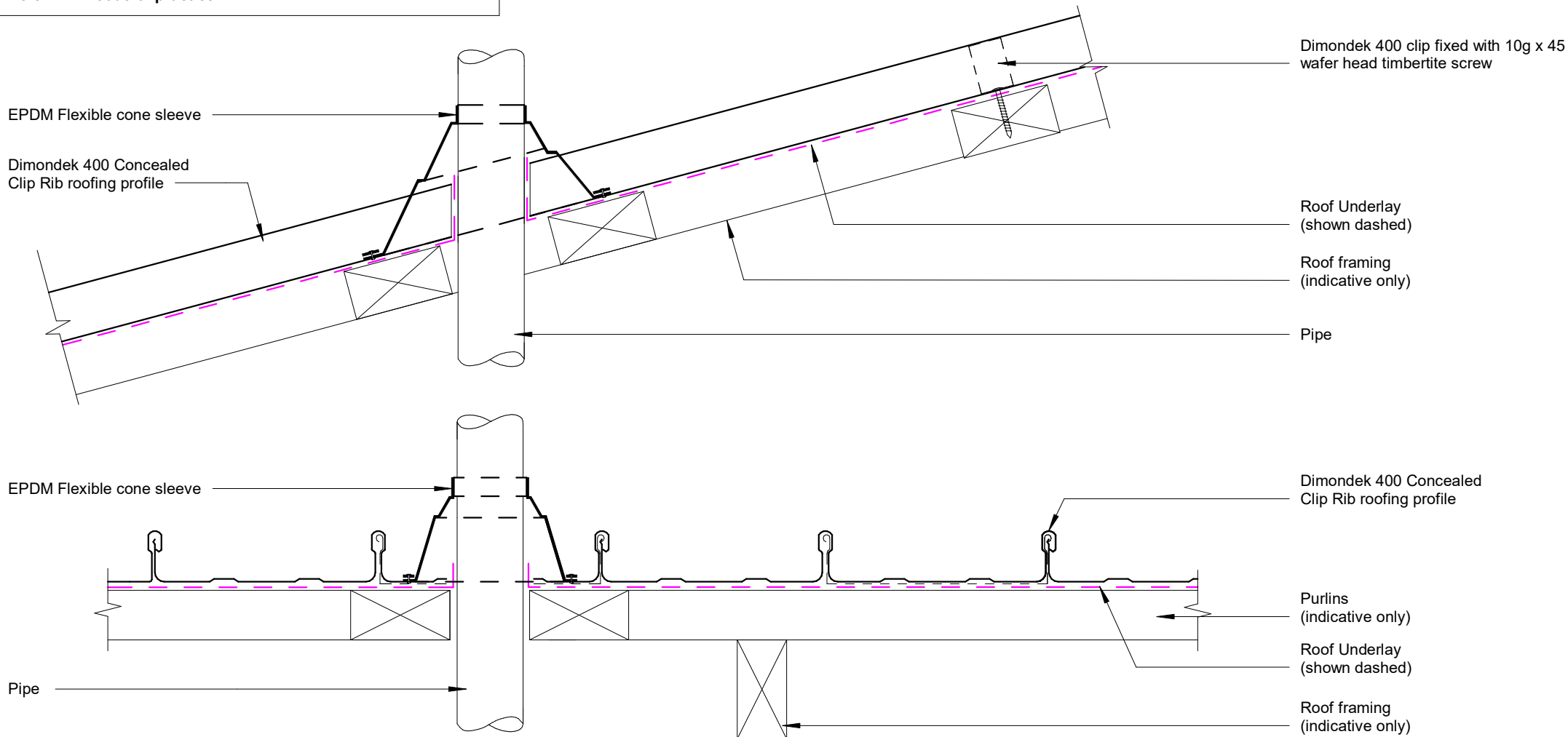
Cavity battens or timber framing that contain copper must be separated from steel cladding by a strip of wall or roof underlay or DPC.

Eave Detail

Note:

Min 10° for pipe penetration direct fix Boot flashing is applicable for when less than 50% blockage occurs.

When exceeding 50% blockage, refer to back tray boot flashing. Refer MRM code of practice.



Pipe Penetration Direct Fix Detail

COVER DIMENSIONS AS PER E2/AS1

	SITUATION 1	SITUATION 2	SITUATION 3
	Low, Medium & High Wind Zones where roof pitch $\geq 10^\circ$	All roof pitches in Very High zone. Low, Medium & High Wind Zones where roof pitch $\leq 10^\circ$	All roof pitches in Extra High wind zone
X	130 MIN	200 MIN	200 MIN
Z	50 MIN	70 MIN	90 MIN

Note:
Min 3° for pipe penetration with a boot flashing.
Refer MRM code of practice

Ridge flashing to match roofing.
Materials & Fixings as per Dimond Technical Data, E2/AS1 & MRM Code of Practice

Stopends to Dimond Roofing

Notched flashing folded and rivet fixed to flashing clip, riveted to rib

EPDM Flexible cone sleeve

Dimondek 400 clip fixed with 10g x 45 wafer head timberite screw

Dimondek 400 Concealed Clip Rib roofing profile

Back Tray to match roofing.
Materials & Fixings as per Dimond Technical Data, E2/AS1 & MRM Code of Practice

Ridge flashing to match roofing.
Materials & Fixings as per Dimond Technical Data, E2/AS1 & MRM Code of Practice

Dimondek 400 Concealed Clip Rib roofing profile

Flashing Clip fixed to ribs with rivets

Barge flashing to match roofing.
Materials & Fixings as per Dimond Technical Data, E2/AS1 & MRM Code of Practice

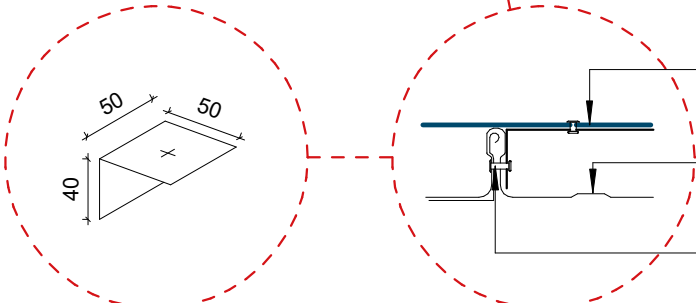
Dimondek 400 Concealed Clip Rib roofing profile

Purlins (indicative only)

Nogs between purlins for penetration

Pipe

Roof Underlay (shown dashed)



Pipe Penetration Back Tray Detail