

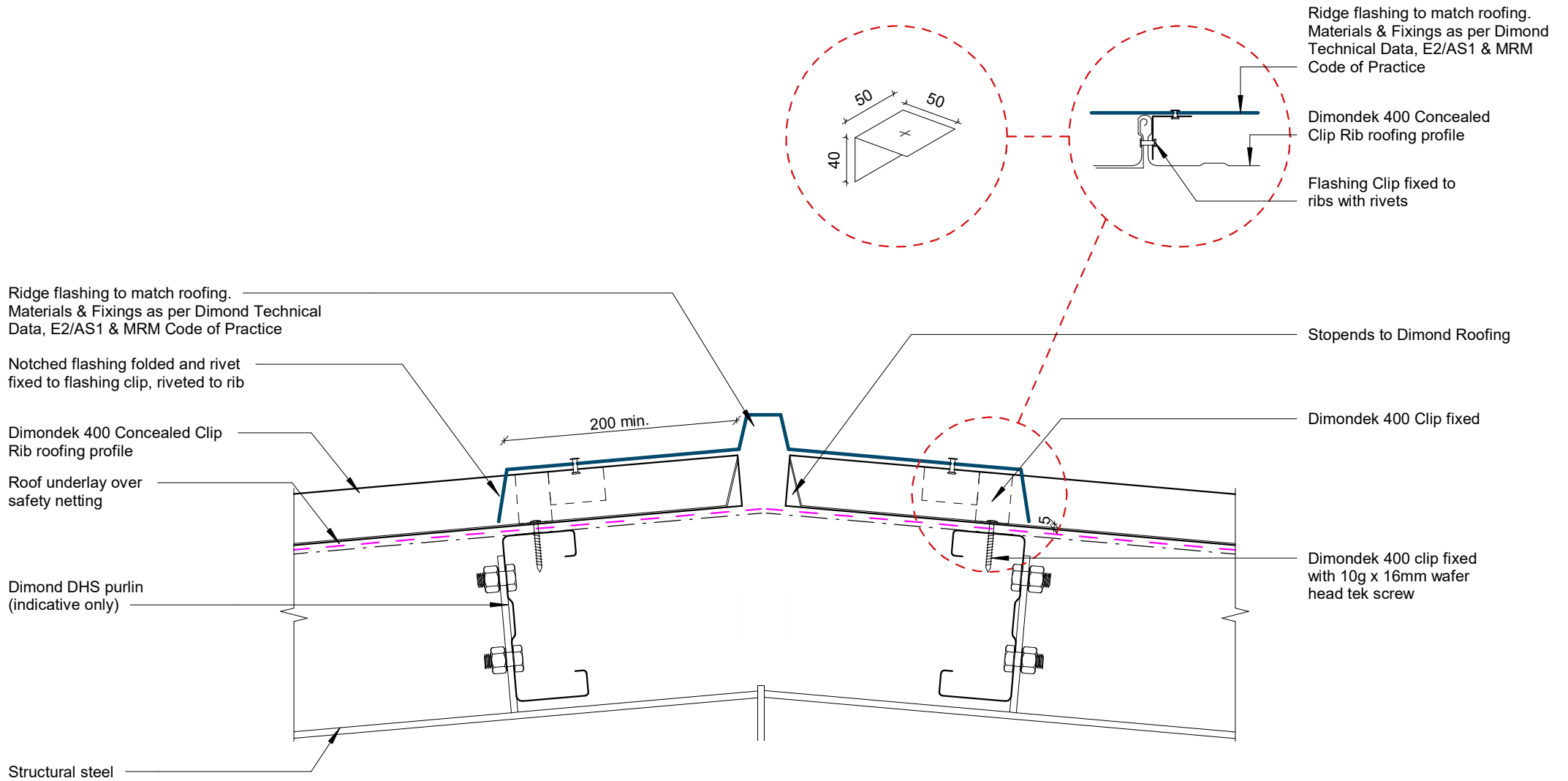
DIMONDEK 400

COMMERCIAL ROOFING

DETAILS:

REV: DATE:

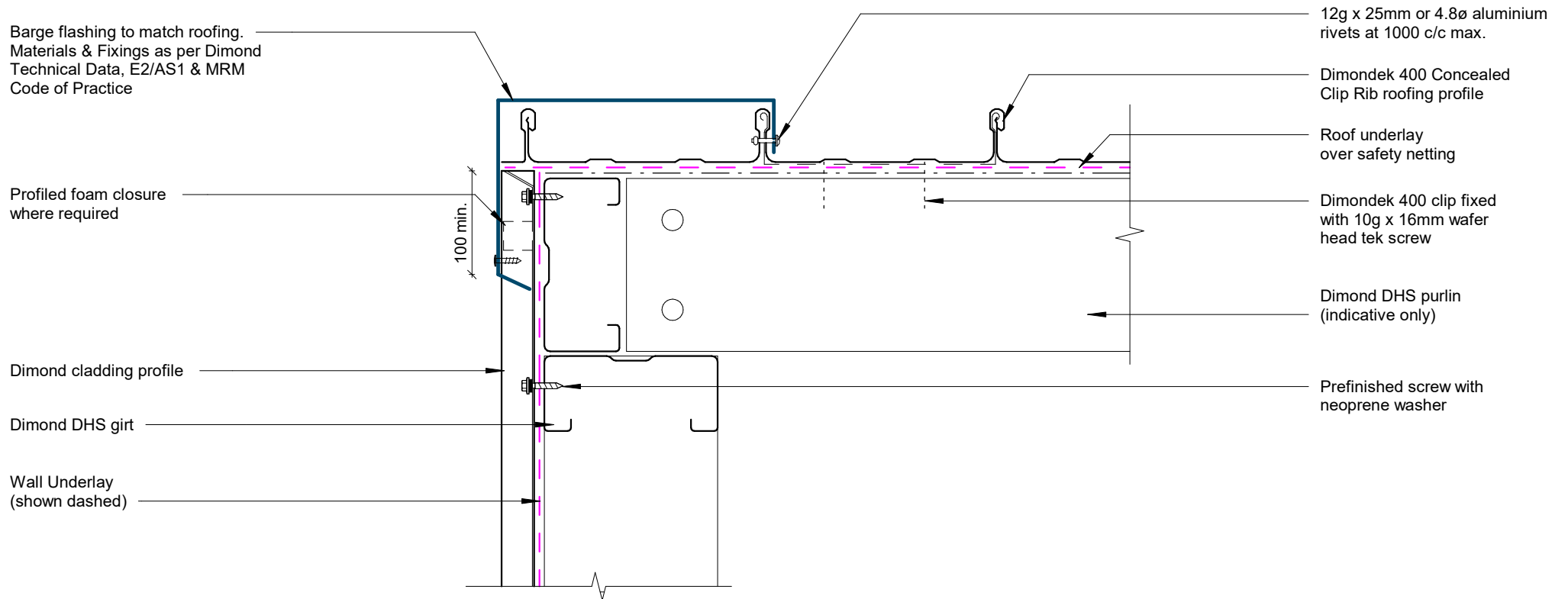
DD4CR0	Cover Sheet	1	Sep 2025
DD4CR1	Ridge Detail	1	Sep 2025
DD4CR2	Barge Detail	1	Sep 2025
DD4CR3	Roof Step Detail	1	Sep 2025
DD4CR4	Roof Wall Apex Detail	1	Sep 2025
DD4CR5	Parapet Detail	1	Sep 2025
DD4CR6	Apron Parallel Detail	1	Sep 2025
DD4CR7	Apron Transverse Detail	1	Sep 2025
DD4CR8	Eave - Box Gutter Detail	1	Sep 2025
DD4CR9	Pipe Penetration Direct Fix Detail	1	Sep 2025
DD4CR10	Pipe Penetration Back Tray Detail	1	Sep 2025
DD4CR11	Large Penetration Detail	1	Sep 2025



GENERAL NOTE

Foam closure strip only required if bird or vermin proofing is required, or if in a high wind area, there is a risk of windblown moisture entering the building. Leave foam out if ventilation is required.

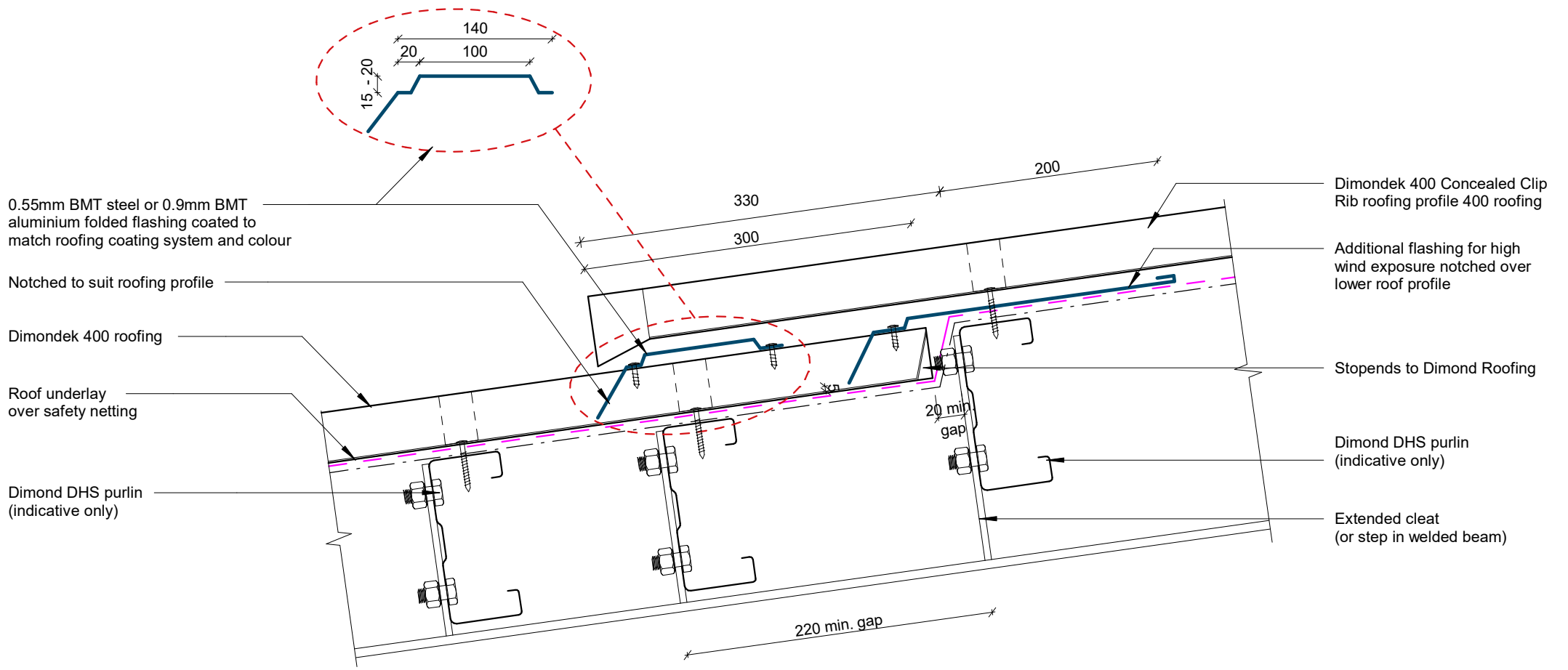
Ridge Detail



GENERAL NOTE

Foam closure strip only required if bird or vermin proofing is required, or if in a high wind area, there is a risk of windblown moisture entering the building. Leave foam out if ventilation is required.

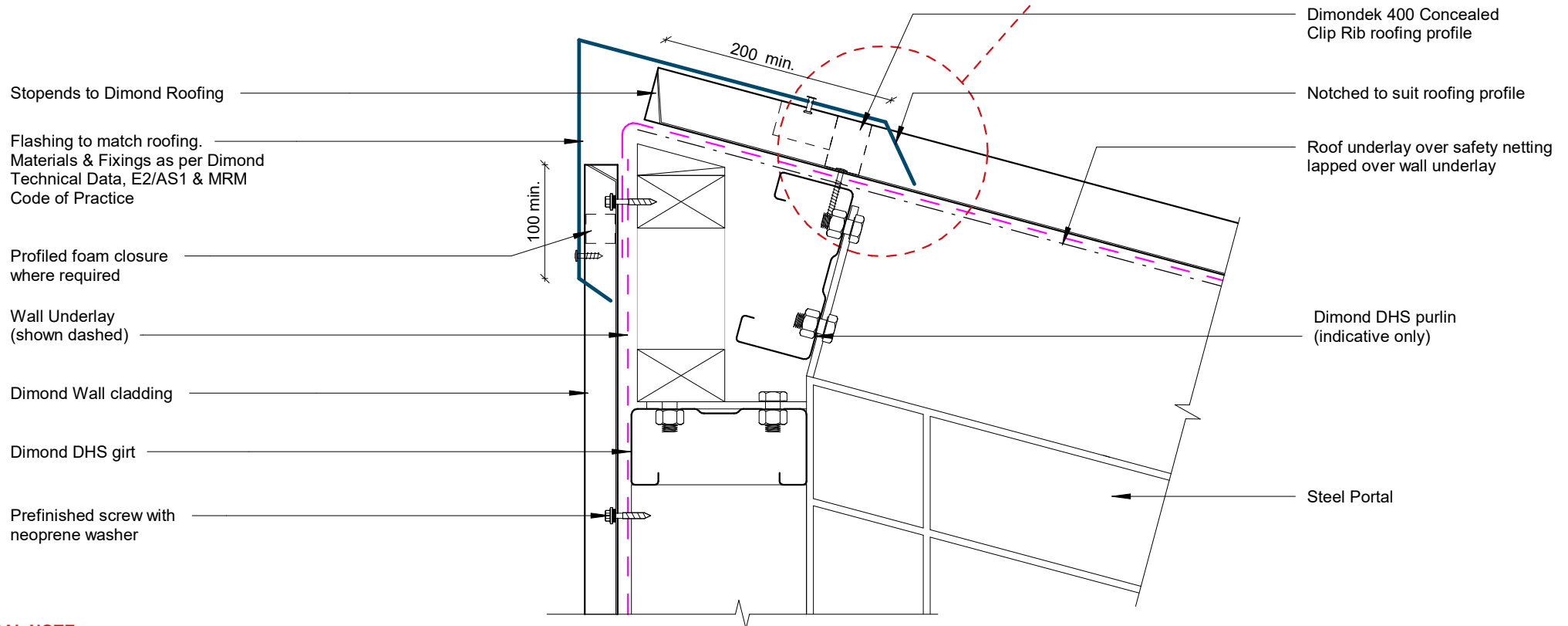
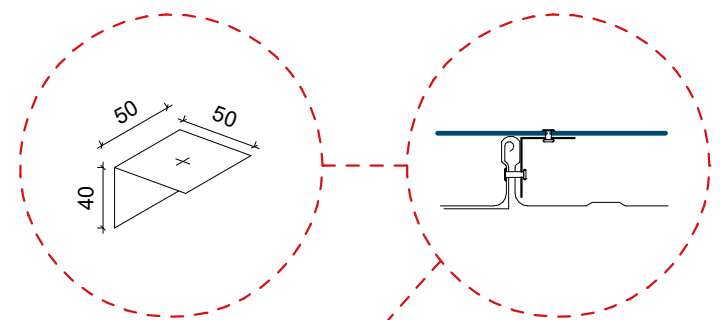
Barge Detail



GENERAL NOTE

Foam closure strip only required if bird or vermin proofing is required, or if in a high wind area, there is a risk of windblown moisture entering the building. Leave foam out if ventilation is required.

Roof Step Detail



GENERAL NOTE

Foam closure strip only required if bird or vermin proofing is required, or if in a high wind area, there is a risk of windblown moisture entering the building. Leave foam out if ventilation is required.

Roof Wall Apex Detail

Rev: 1 **Dimondek 400 Commercial Roofing**



©Dimond 2023, all rights reserved. The information and specifications contained in this document are proprietary to Dimond and may not be used other than for the purpose of designing or building a roof or roofing system solely using products supplied or approved by Dimond ("Permitted Purpose"). You may copy this document solely for the Permitted Purpose, but may not otherwise copy, publish, distribute or modify this document without Dimond's prior written consent. Dimond will not be liable for any use of this document or information and specifications contained in this document, other than for the Permitted Purpose

Date: Sep 2025 Scale: 1 : 5 Sheet: **DD4CR4**

Parapet cap flashing to match roofing. Materials & Fixings as per Dimond Technical Data, E2/AS1 & MRM Code of Practice

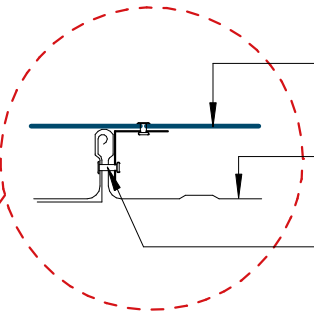
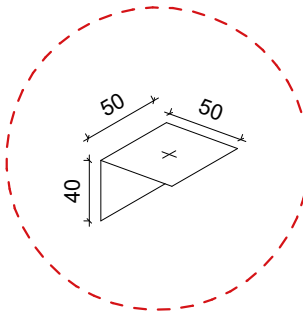
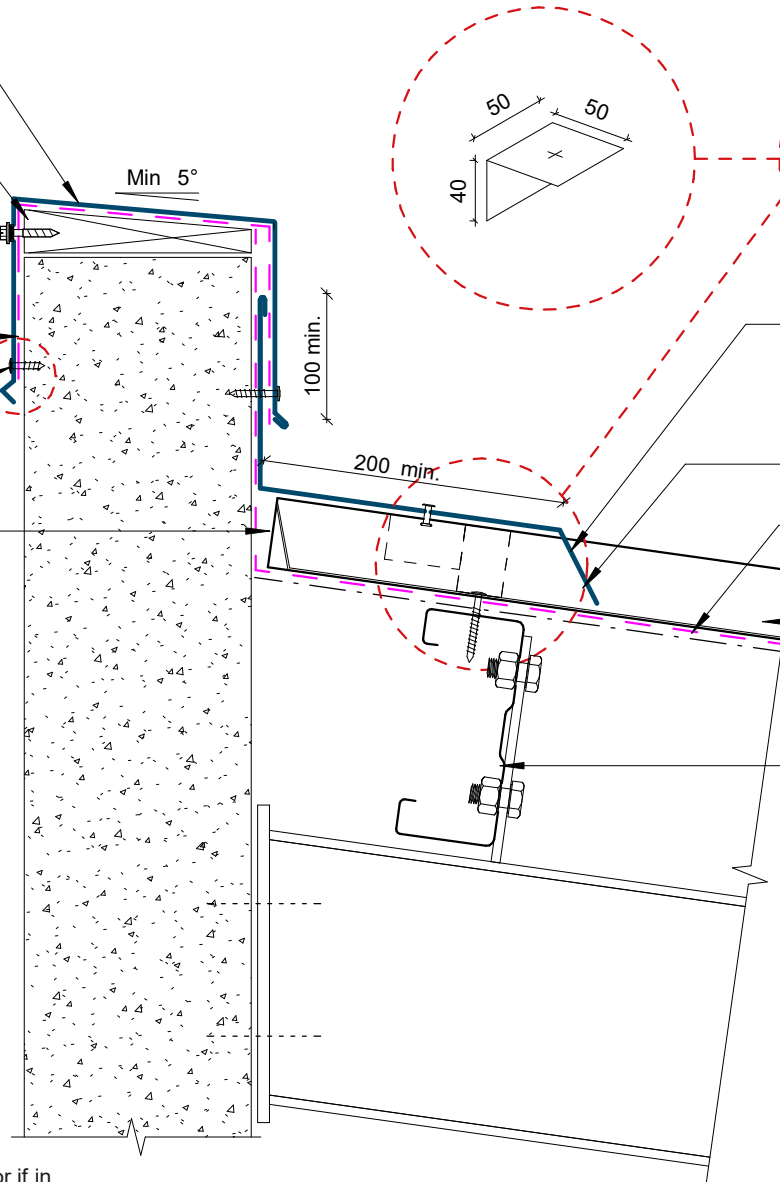
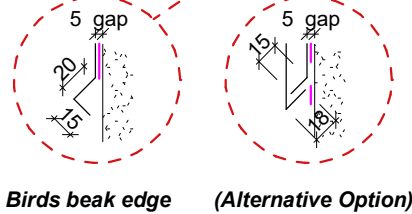
H3.1 timber capping support on DPC

Prefinished screw with neoprene washer

Separation barrier with self adhesive tape or similar around concrete wall

Fix capping to concrete with 6.5mm x 20mm metal pin anchors @1000mm crs.

Stopends to Dimond Roofing



Ridge flashing to match roofing. Materials & Fixings as per Dimond Technical Data, E2/AS1 & MRM Code of Practice

Dimondek 400 Concealed Clip Rib roofing profile

Flashing Clip fixed to ribs with rivets

Apron flashing to match roofing. Materials & Fixings as per Dimond Technical Data, E2/AS1 & MRM Code of Practice

Notched to suit roofing profile

Roof underlay over safety netting lapped behind flashing

Dimondek 400 Concealed Clip Rib roofing profile

Dimond DHS purlin (indicative only)

GENERAL NOTE

Foam closure strip only required if bird or vermin proofing is required, or if in a high wind area, there is a risk of windblown moisture entering the building. Leave foam out if ventilation is required.

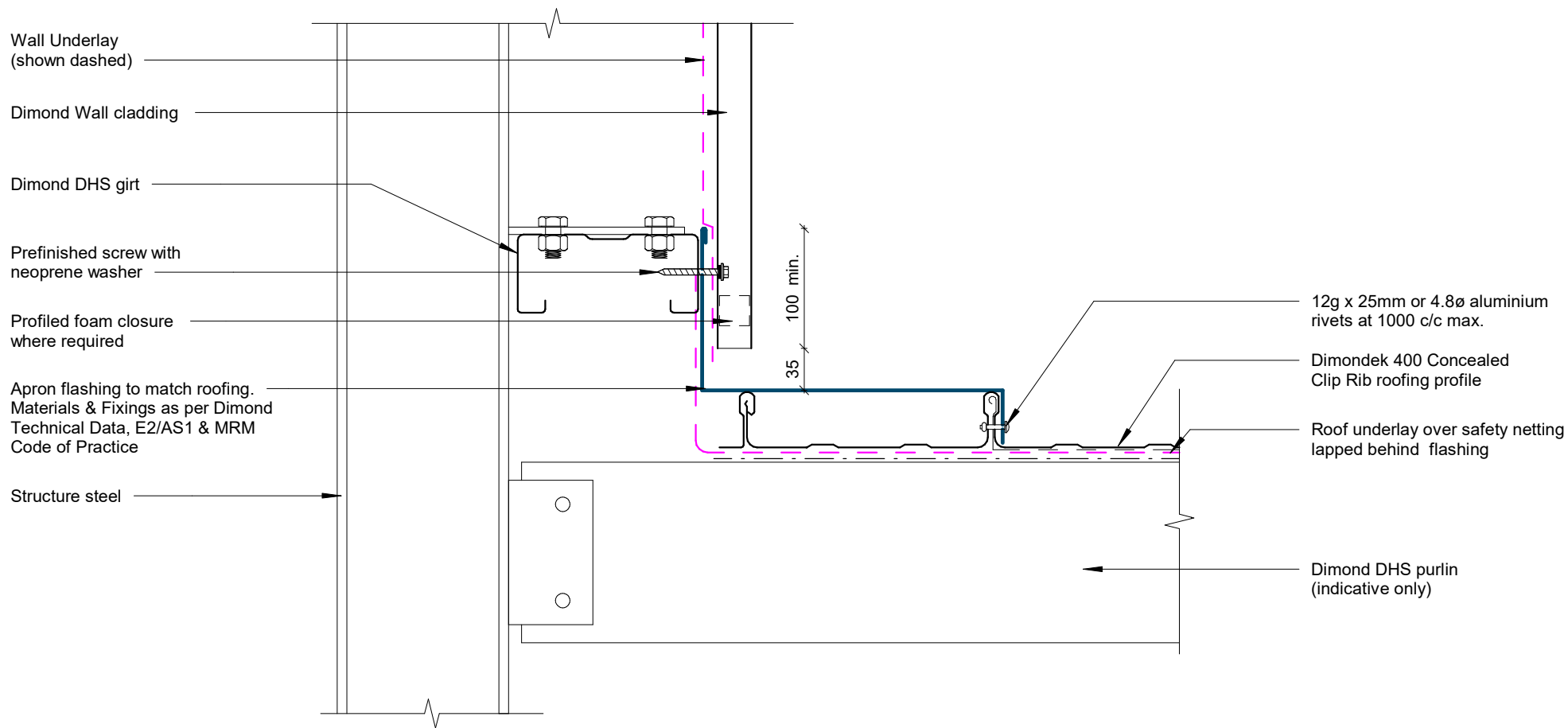
Parapet Detail



©Dimond 2023, all rights reserved. The information and specifications contained in this document are proprietary to Dimond and may not be used other than for the purpose of designing or building a roof or roofing system solely using products supplied or approved by Dimond ("Permitted Purpose"). You may copy this document solely for the Permitted Purpose, but may not otherwise copy, publish, distribute or modify this document without Dimond's prior written consent. Dimond will not be liable for any use of this document or information and specifications contained in this document, other than for the Permitted Purpose

Rev: 1 **Dimondek 400 Commercial Roofing**

Date: Sep 2025 Scale: 1 : 5 Sheet: **DD4CR5**



GENERAL NOTE

Foam closure strip only required if bird or vermin proofing is required, or if in a high wind area, there is a risk of windblown moisture entering the building. Leave foam out if ventilation is required.

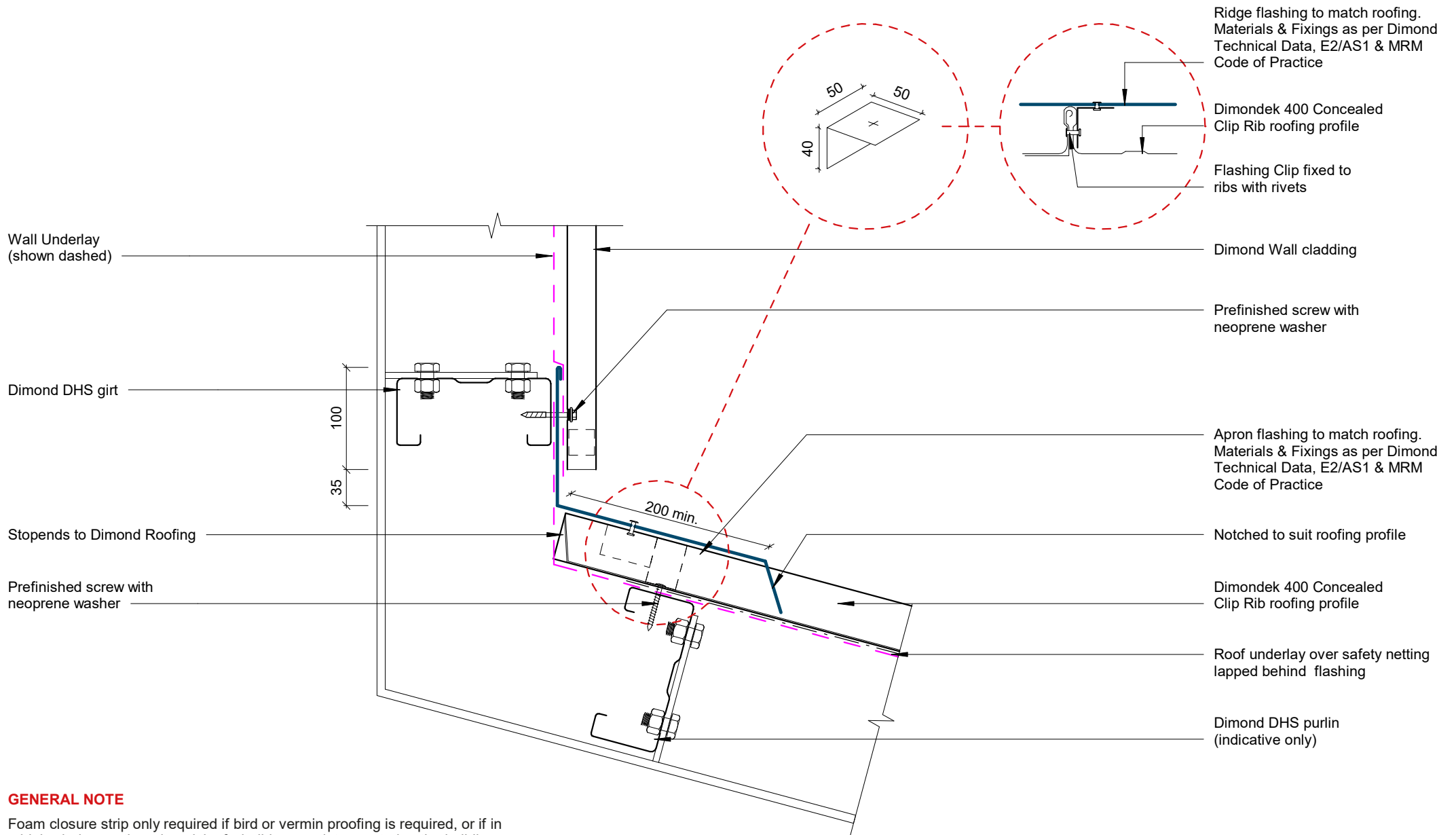
Apron Parallel Detail

Rev: 1 **Dimondek 400 Commercial Roofing**



©Dimond 2023, all rights reserved. The information and specifications contained in this document are proprietary to Dimond and may not be used other than for the purpose of designing or building a roof or roofing system solely using products supplied or approved by Dimond ("Permitted Purpose"). You may copy this document solely for the Permitted Purpose, but may not otherwise copy, publish, distribute or modify this document without Dimond's prior written consent. Dimond will not be liable for any use of this document or information and specifications contained in this document, other than for the Permitted Purpose

Date: Sep 2025 Scale: 1 : 5 Sheet: **DD4CR6**



GENERAL NOTE

Foam closure strip only required if bird or vermin proofing is required, or if in a high wind area, there is a risk of windblown moisture entering the building. Leave foam out if ventilation is required.

Apron Transverse Detail

Rev: 1 **Dimondek 400 Commercial Roofing**

Flashing to match roofing.
Materials & Fixings as per Dimond
Technical Data, E2/AS1 & MRM
Code of Practice

Dimond box gutter

Extended 6mm flat galvanised
external gutter bracket fixed at
600mm crs max. laid to fall

Dimond Wall cladding

Wall Underlay
(shown dashed)

175 or 300mm wide

Dimondek 400 clip fixed with
10g x 45 wafer head tek screw

Dimondek 400 Concealed
Clip Rib roofing profile

Roof underlay over safety netting

Timber packer to suit roof slope .
Width to suite purlin size

Dimond DHS purlin
(indicative only)

Prefinished screw with
neoprene washer

Dimond DHS girt

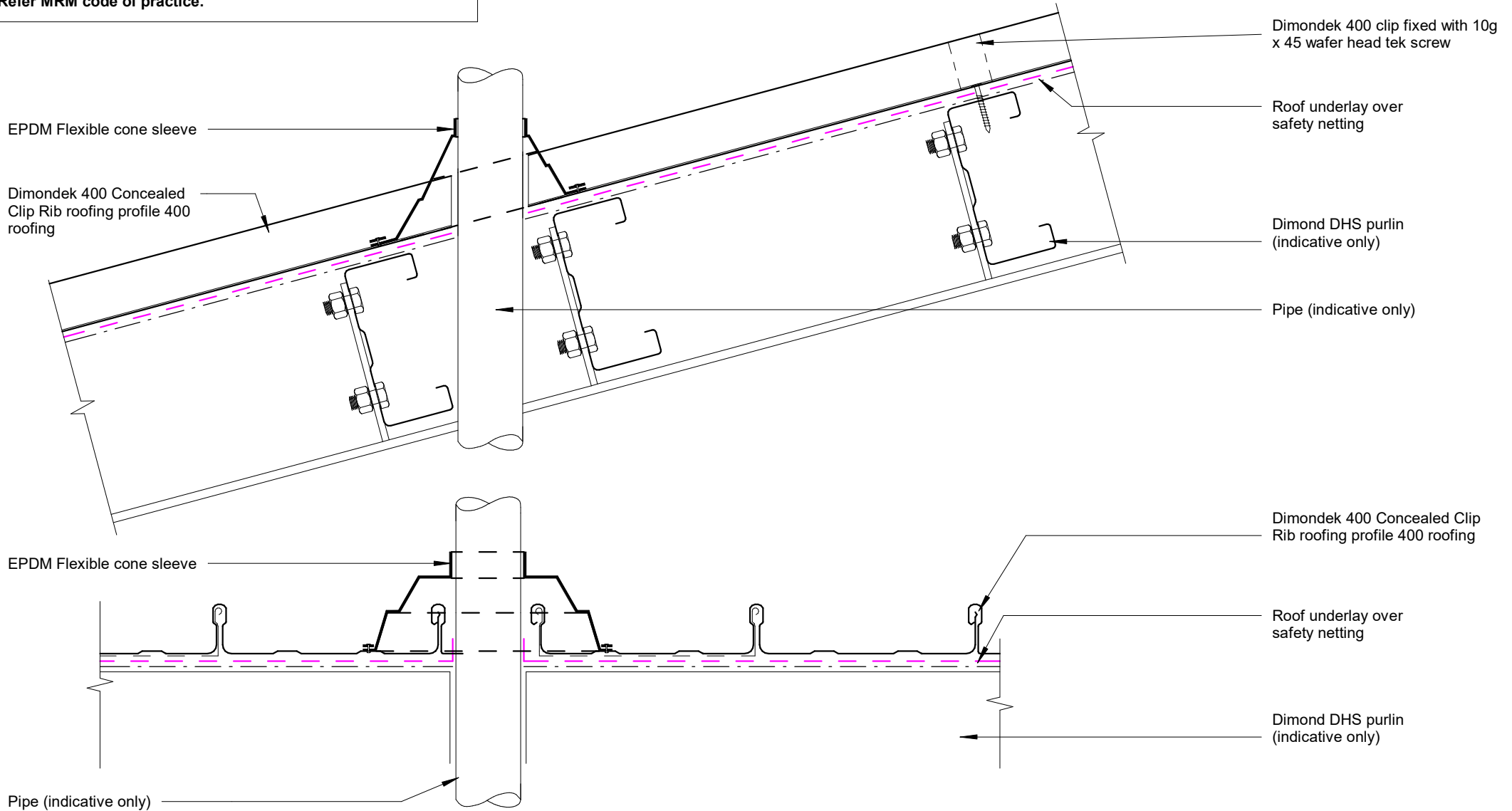
GENERAL NOTE

Foam closure strip only required if bird or vermin proofing is required, or if in a high wind area, there is a risk of windblown moisture entering the building. Leave foam out if ventilation is required.

Eave - Box Gutter Detail

Rev: 1 Dimondek 400 Commercial Roofing

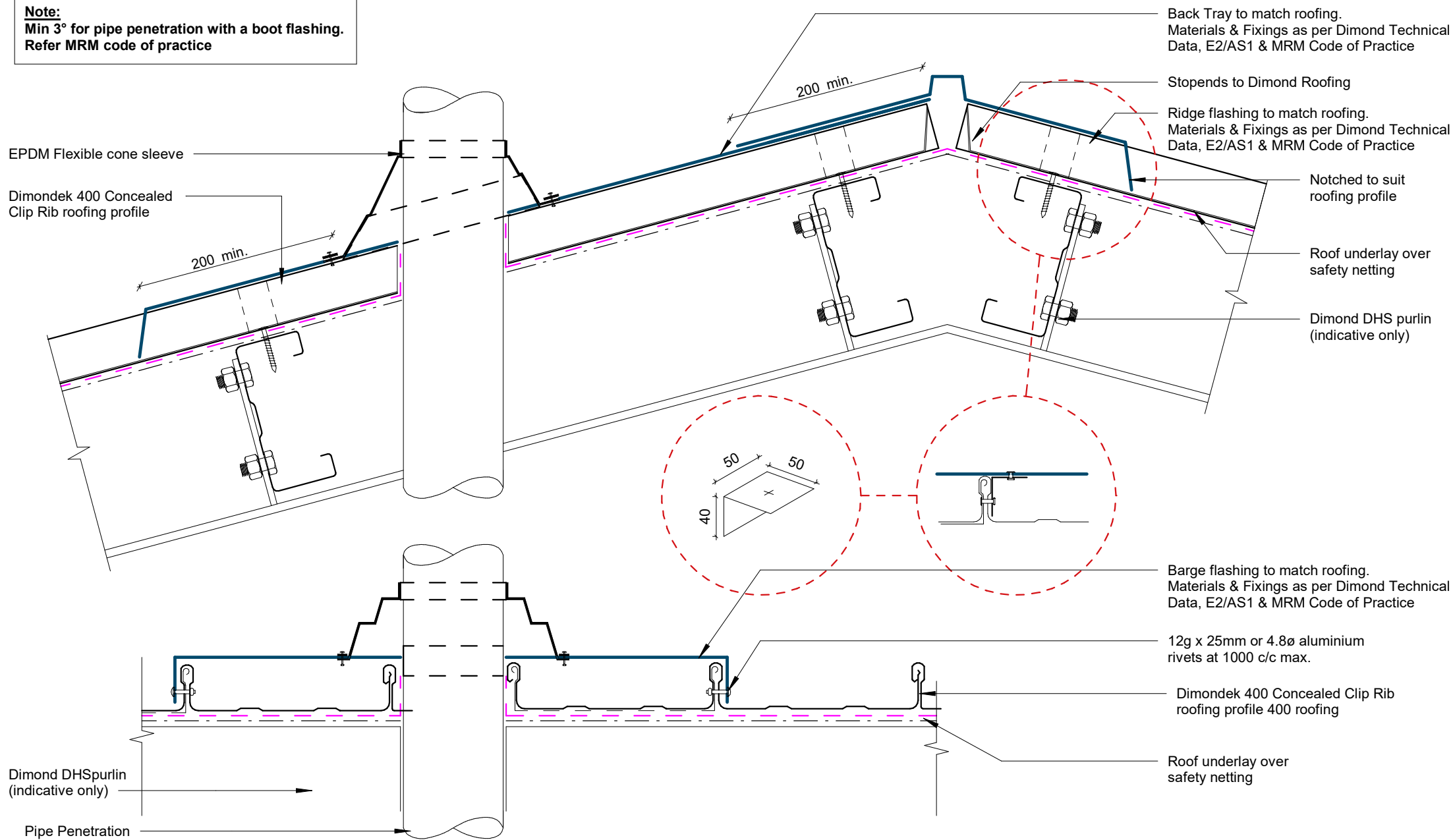
Note:
 Min 10° for pipe penetration direct fix boot flashing is applicable for when less than 50% blockage occurs.
 When exceeding 50% blockage, refer to back tray boot flashing.
 Refer MRM code of practice.



Pipe Penetration Direct Fix Detail

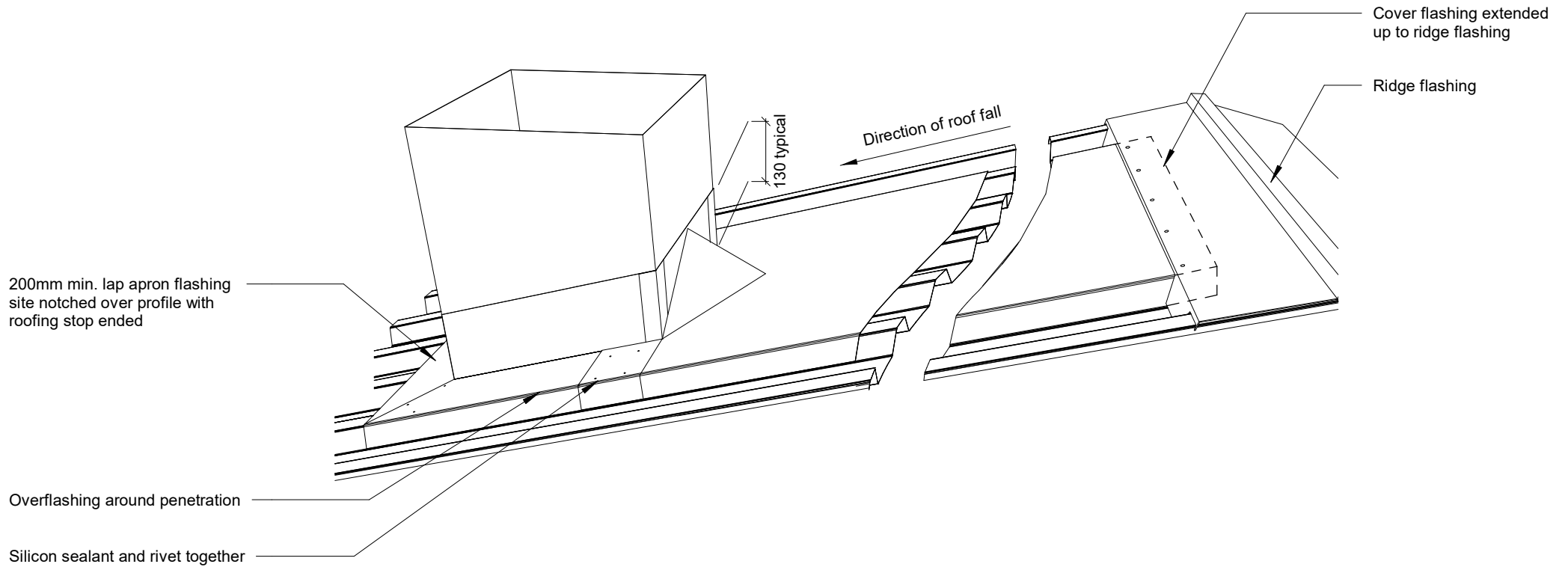
Rev: 1 **Dimondek 400 Commercial Roofing**

Note:
 Min 3° for pipe penetration with a boot flashing.
 Refer MRM code of practice



Pipe Penetration Back Tray Detail

Rev: 1 **Dimondek 400 Commercial Roofing**



Large Penetration Detail

Rev: 1 Dimondek 400 Commercial Roofing