

Dimond Six Rib Wall Cladding
(specify thickness and coating)

Climaseal coated self drilling M6 x
50 Roofzip fixed every pan

Flashing tape over the top
of flashing onto underlay

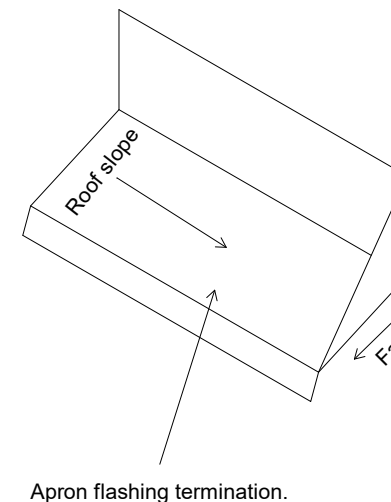
Dimond Six Rib Roofing (specify
thickness and coating)

Roofing underlay and netting
shown dashed

Climaseal coated self drilling M6 x
50 Roofzip with neo rib fixed

Purpose made apron flashing
Dimond hi-span steel purlin
(specify size)

35 100 mm min. lap



Notes:

- Foam closure strip only required if bird or vermin proofing is required, or if in a high wind area, there is a risk of windblown moisture entering the building.
- These details are suitably fixed to allow for a theoretical thermal movement of up to 10mm. For thermal movement greater than this a clipping system should be considered.
- Where CCA or ACQ treated cavity battens are installed a barrier between the batten and the cladding is required.

Original Size A4



Six Rib Roof

Wall - Roof Junction (90 deg) on Cavity

dim_sxr_1051 Wall - Roof Junction (90 deg) on Cavity	
Issue: 01	Reference dim_sxr_1051
Scale: 1 : 5	
Date: 20 December 2018	