

Dimond Solar-Rib® wall cladding  
(specify thickness and coating)

Climaseal coated self drilling M6 x  
50 Roofzip fixed every pan

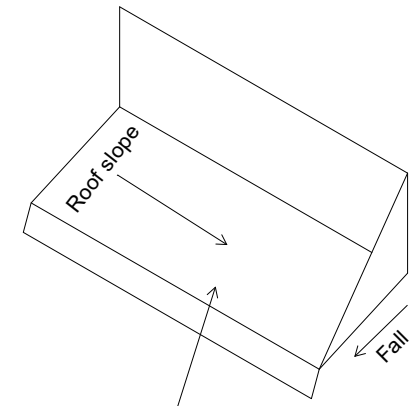
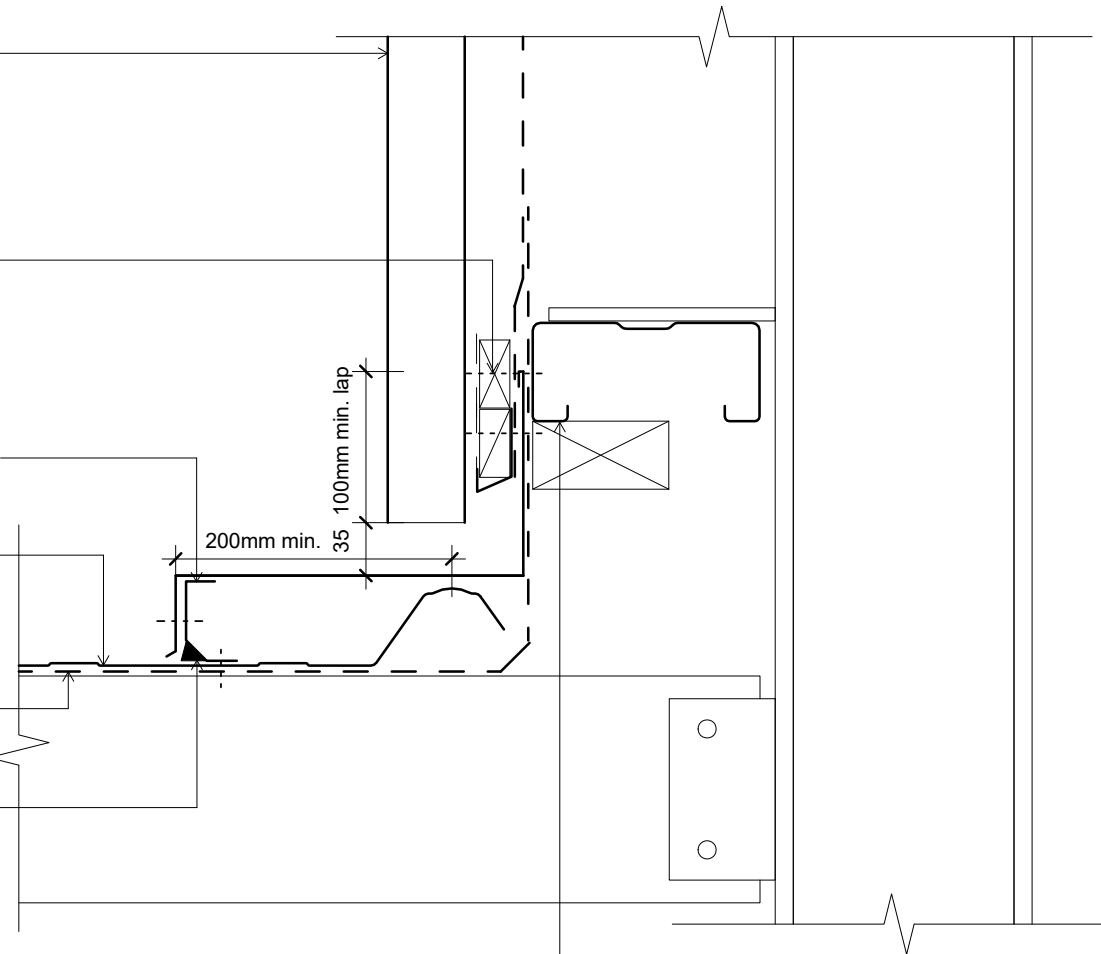
0.55mm flashing. Seal with silicone  
sealant and fix with 4mm dia rivets  
every 400mm to flashing and pan

Dimond Solar-Rib® (specify  
thickness and coating)

Roofing underlay and netting  
shown dashed

Silicone sealant or Double-sided  
tape to pan

Dimond hi-span steel purlin  
(specify size)



Apron flashing termination.

- Notes:
- Foam closure strip only required if bird or vermin proofing is required, or if in a high wind area, there is a risk of windblown moisture entering the building.
  - These details are suitably fixed to allow for a theoretical thermal movement of up to 10mm. For thermal movement greater than this a clipping system should be considered.
  - Where CCA or ACQ treated cavity battens are installed a barrier between the batten and the cladding is required.

Original Size A4



# Solar Rib Roof

Wall - Roof Junction (90 deg) on Cavity

dim_sor_1051 Wall - Roof Junction (90 deg) on Cavity	
Issue: 01	Reference  <b>dim_sor_1051</b>
Scale: 1 : 5	
Date: 20 December 2018	