

Dimond LT5 wall cladding (specify thickness and coating)

Climaseal coated self drilling M6 x 50 screw fixed every second pan

Apron flashing fixed to roof with 4.8ø aluminium rivets at 1000mm centers

Climaseal coated self drilling M6 x 65 Roofzip rib fixed

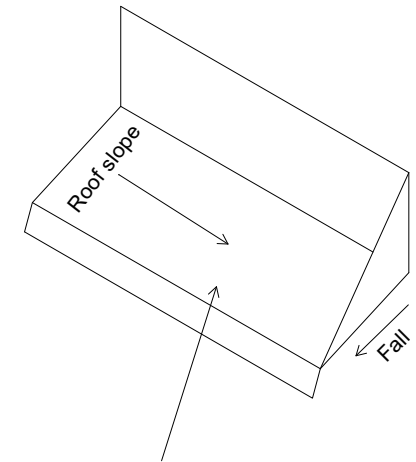
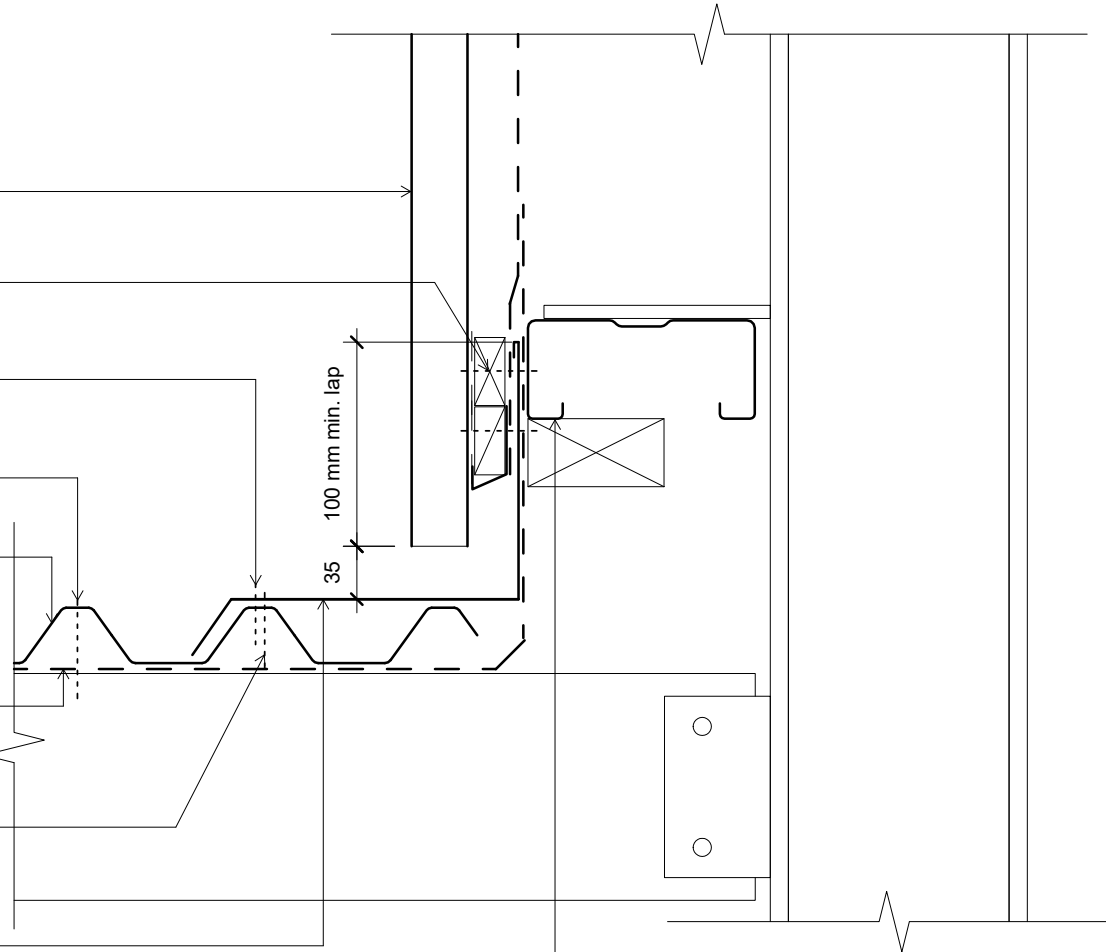
Dimond LT5 roof cladding (specify thickness and coating)

Roofing underlay and netting shown dashed

Climaseal coated self drilling 12g x 50mm tek screw rib fixed

Purpose made apron flashing

Dimond hi-span steel purlin (specify size)



Apron flashing termination.

Notes:

- Foam closure strip only required if bird or vermin proofing is required, or if in a high wind area, there is a risk of windblown moisture entering the building.
- These details are suitably fixed to allow for a theoretical thermal movement of up to 10mm. For thermal movement greater than this a clipping system should be considered.
- Where CCA or ACQ treated cavity battens are installed a barrier between the batten and the cladding is required.

Original Size A4



LT5  
Roof

Wall - Roof Junction (90 deg) on Cavity

dim_lt5_1051 Wall - Roof Junction (90 deg) on Cavity	
Issue: 01	Reference  <b>dim_lt5_1051</b>
Scale: 1 : 5	
Date: 20 December 2018	