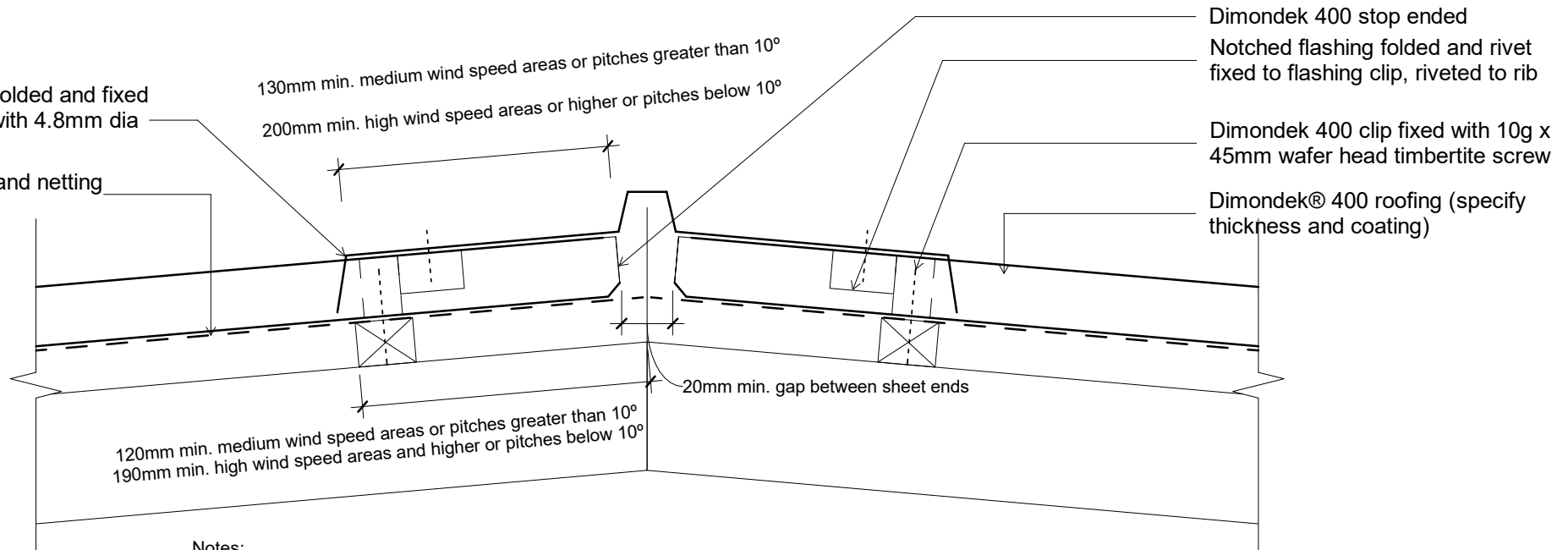


Notched flashing folded and fixed to roof profile rib with 4.8mm dia Aluminium Rivets  
 Roofing underlay and netting shown dashed

130mm min. medium wind speed areas or pitches greater than 10°  
 200mm min. high wind speed areas or higher or pitches below 10°



Notes:

- Foam closure strip only required if bird or vermin proofing is required, or if in a high wind area, there is a risk of windblown moisture entering the building.
- These details are suitably fixed to allow for a theoretical thermal movement of up to 10mm. For thermal movement greater than this a clipping system should be considered.

Original Size A4



**Dimondek 400**  
 Roof  
 Ridge Detail

File:	
Issue: 01	Reference
Scale: As indicated	dim_dd4_1090
Date: 28 November 2018	