

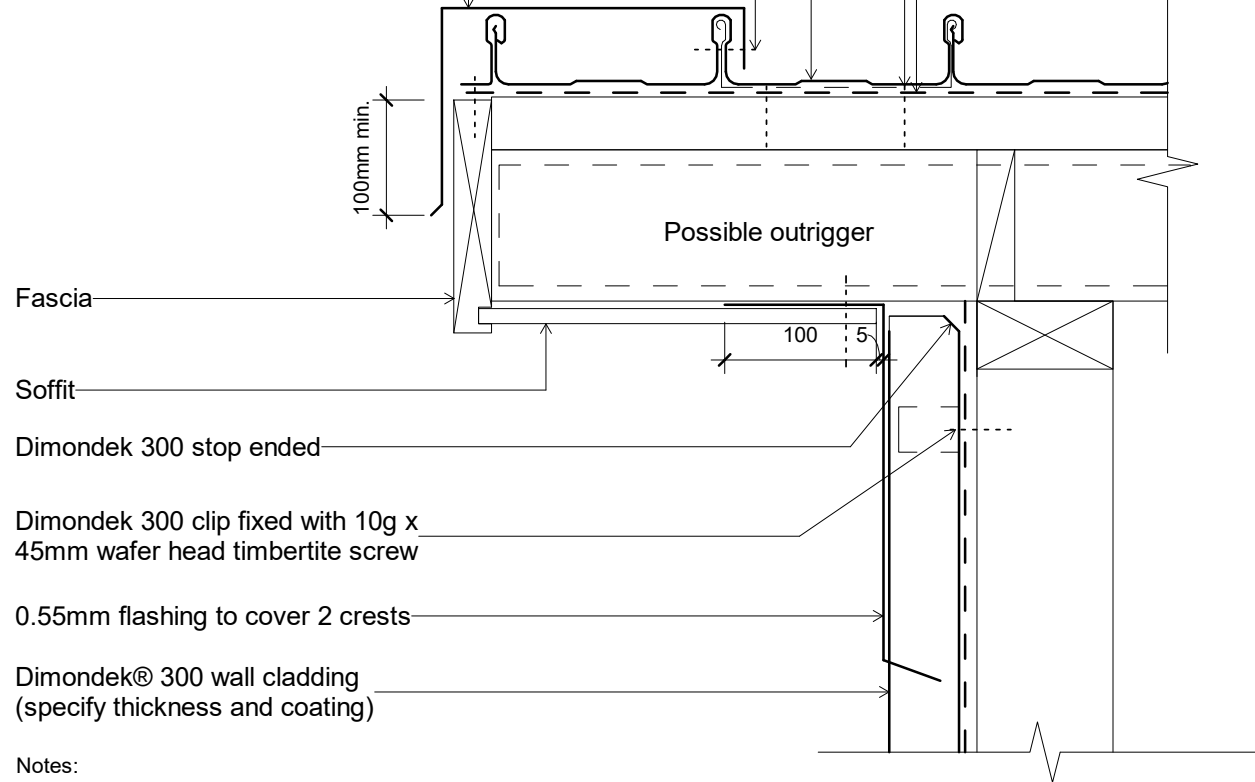
Dimondek® 300 cladding (specify thickness and coating)

12g x 25mm type 17 or 4.8ø aluminium rivets at 1000mm c/c max.

0.55mm barge flashing to cover 2 corrugations (min.)

Dimondek 300 clip fixed with 10g x 45mm wafer head timbertite screw

Roofing underlay and netting shown dashed



Fascia

Soffit

Dimondek 300 stop ended

Dimondek 300 clip fixed with 10g x 45mm wafer head timbertite screw

0.55mm flashing to cover 2 crests

Dimondek® 300 wall cladding (specify thickness and coating)

Notes:

- Foam closure strip only required if bird or vermin proofing is required, or if in a high wind area, there is a risk of windblown moisture entering the building.
- These details are suitably fixed to allow for a theoretical thermal movement of up to 10mm. For thermal movement greater than this a clipping system should be considered.

Original Size A4

File:	
Issue:	01
Scale:	1 : 5
Date:	28 November 2018
Reference	dim_dd3_1140