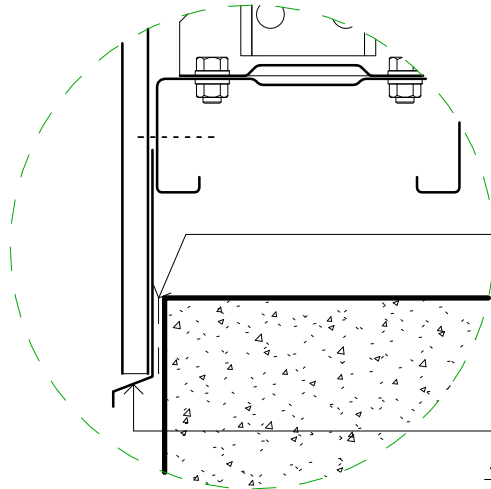


Metadata

-
 Product: Master Set
 Product Code: mas
 Cavity: -
 Construction: com
 Context: Junction
 Detail: Wall
 Fabric: Wall
 Orientation: Vertical



DHS fastbrace
 Dimond corrugate wall cladding
 (specify thickness and coating)

DHS girt (specify size)

Separation foam tape barrier
 between concrete

DHS girt (specify size)

Flashing fixed to girt

Vented closure strip

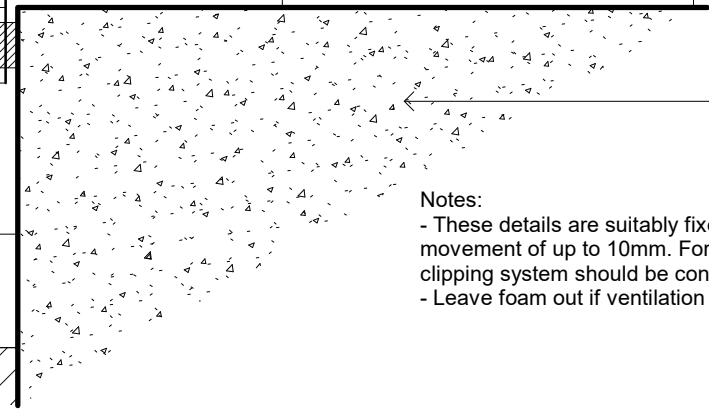
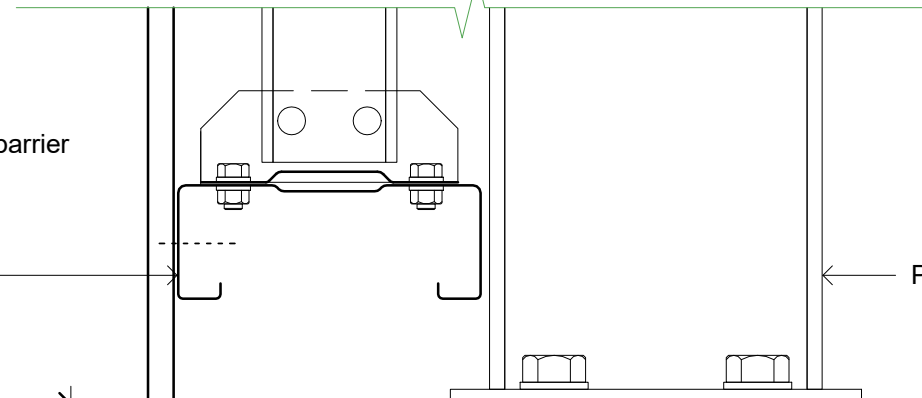
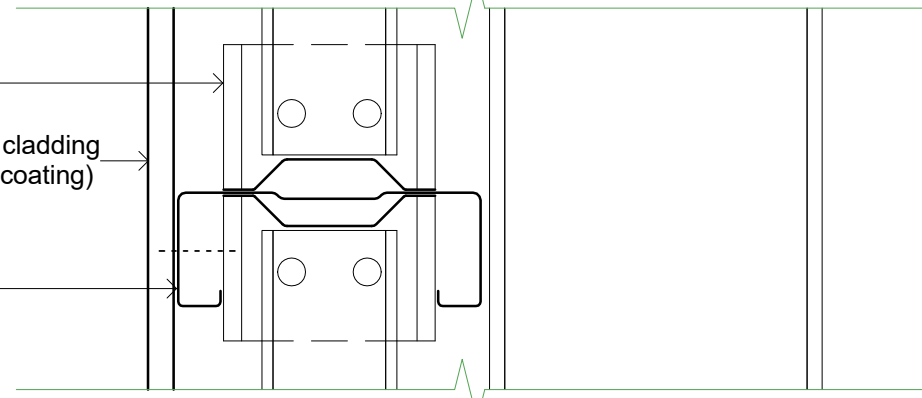
225

PAVING OR
 CONCRETE

50

100

SOIL



Portal column leg

Concrete slab

Notes:

- These details are suitably fixed to allow for a theoretical thermal movement of up to 10mm. For thermal movement greater than this a clipping system should be considered.
- Leave foam out if ventilation is required.

Original Size A4



Master Set
 Wall

Non-Cavity Wall to Floor Junction

File:		
Rev: Draft 01	Source:	
Scale: 1 : 5	Reference	
Date: 180608	dim_mas_2190	