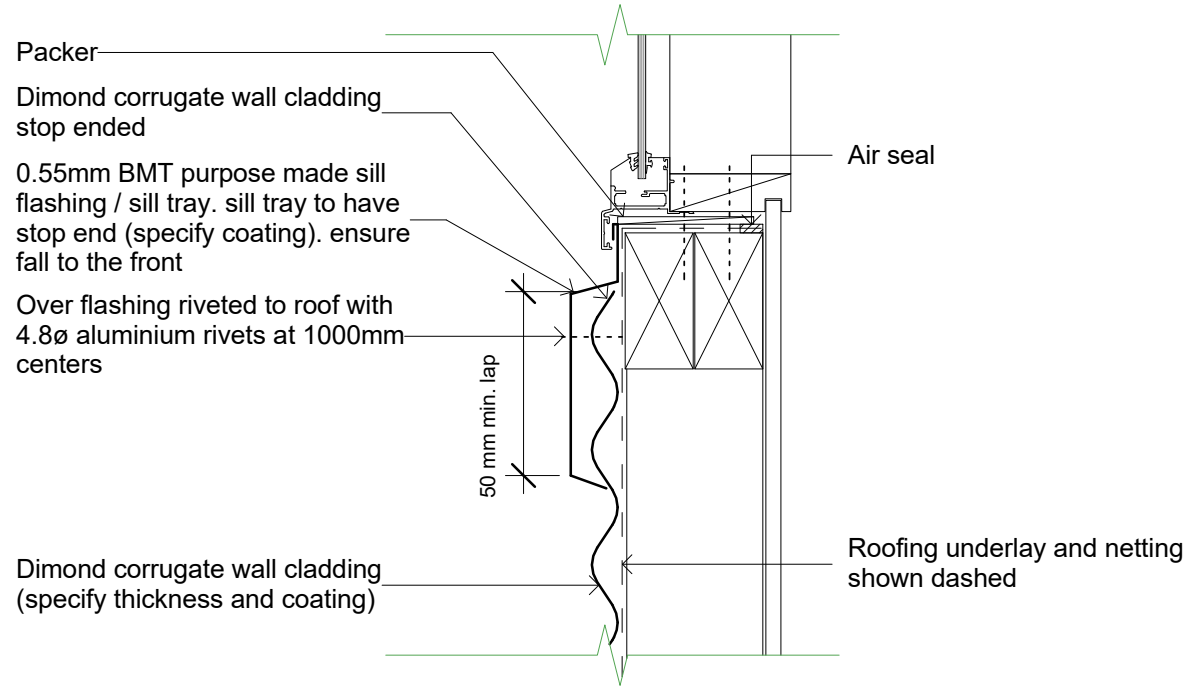


Metadata

-  
 Product: Master Set  
 Product Code: mas  
 Cavity: dfx  
 Construction: res  
 Context: Window Detail  
 Detail: Wall  
 Frabric: Wall  
 Orientation: Horizontal



Notes:

- These details are suitably fixed to allow for a theoretical thermal movement of up to 10mm. For thermal movement greater than this a clipping system should be considered.

Original Size A4



Master Set  
 Wall

Horizontal Cladding Window Detail - Sill

File:	
Rev: Draft 01	Source:
Scale: 1 : 5	Reference:
Date: 180608	dim_mas_2150