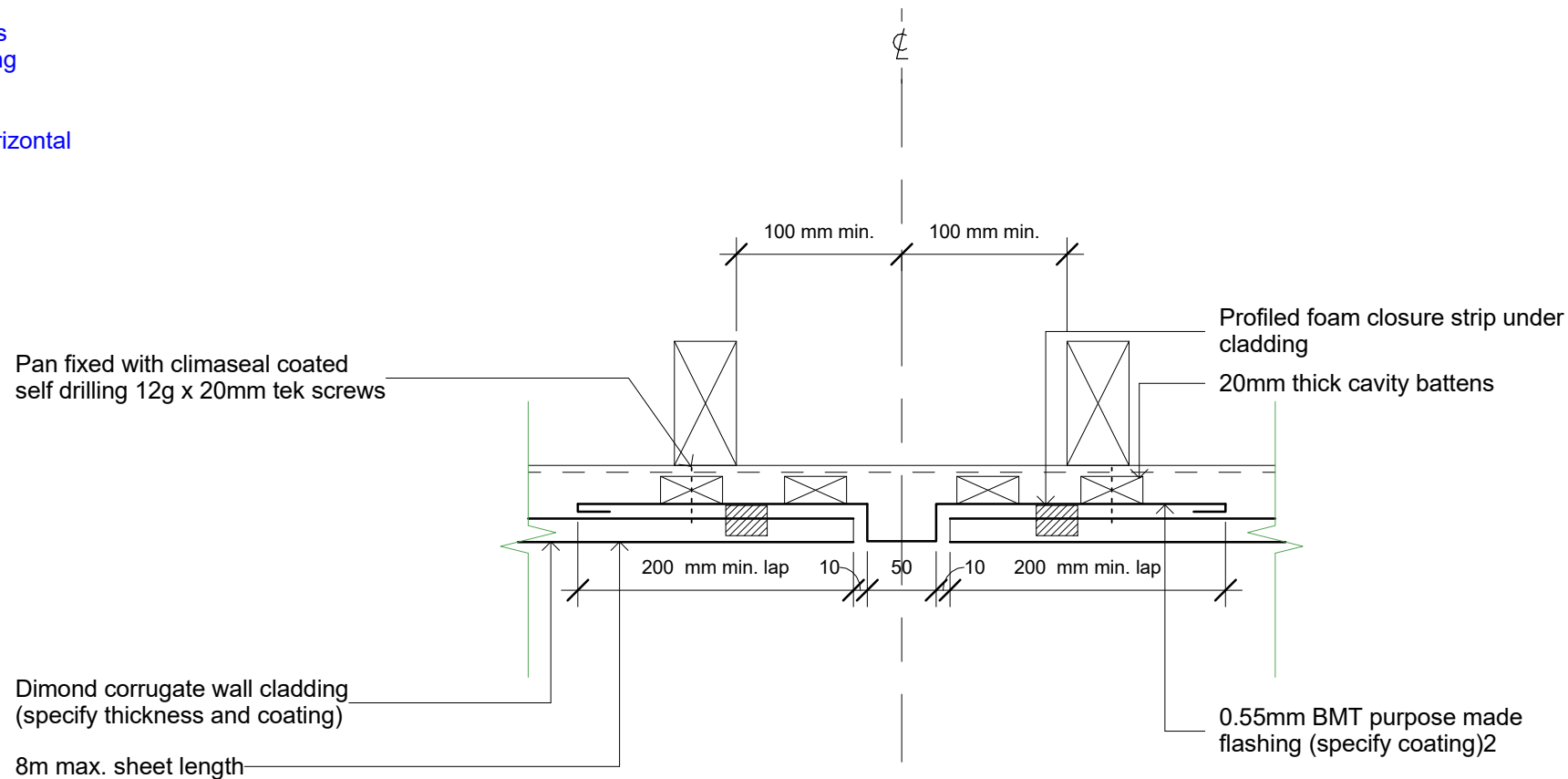


Metadata

-
 Product: Master Set
 Product Code: mas
 Cavity: cav
 Construction: res
 Context: Cladding
 Detail: Wall
 Fabric: Wall
 Orientation: Horizontal



Notes:
 - These details are suitably fixed to allow for a theoretical thermal movement of up to 10mm. For thermal movement greater than this a clipping system should be considered.

Original Size A4



Master Set
 Wall

Horizontal Cavity Cladding - Sheet Butt join

File:		
Rev: Draft 01	Source:	
Scale: 1 : 5	Reference:	
Date: 180608	dim_mas_2120	