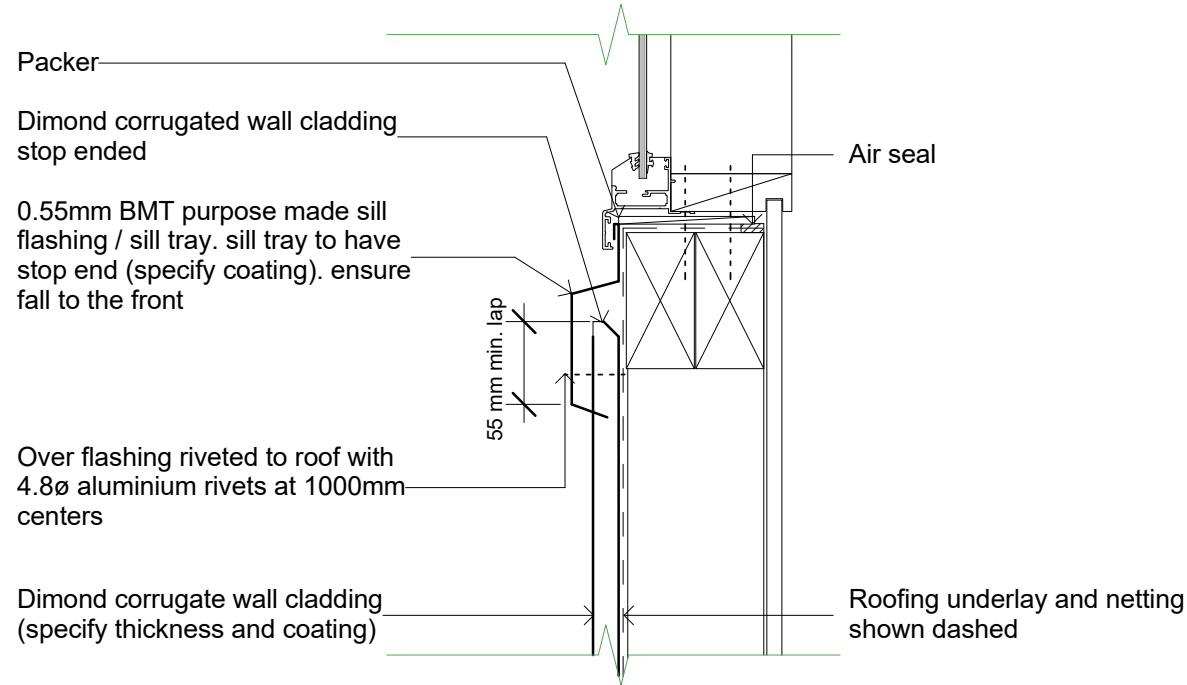


Metadata

-
 Product: Master Set
 Product Code: mas
 Cavity: dfx
 Construction: res
 Context: Window Detail
 Detail: Wall
 Frabric: Wall
 Orientation: Vertical



Notes:
 - These details are suitably fixed to allow for a theoretical thermal movement of up to 10mm. For thermal movement greater than this a clipping system should be considered.

Original Size A4



Master Set
 Wall

Vertical Cladding Window Detail - Jamb

File:		
Rev: Draft 01	Source:	
Scale: 1 : 5	Reference	
Date: 180608	dim_mas_2060	