

Wall cladding (specify thickness and coating)

Building wrap shown dashed

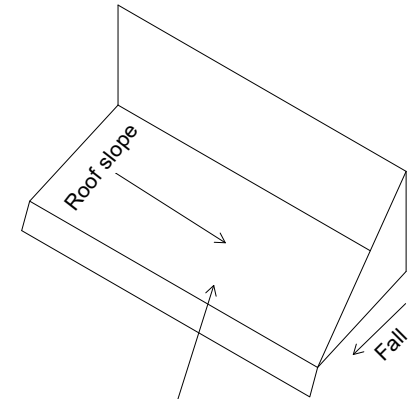
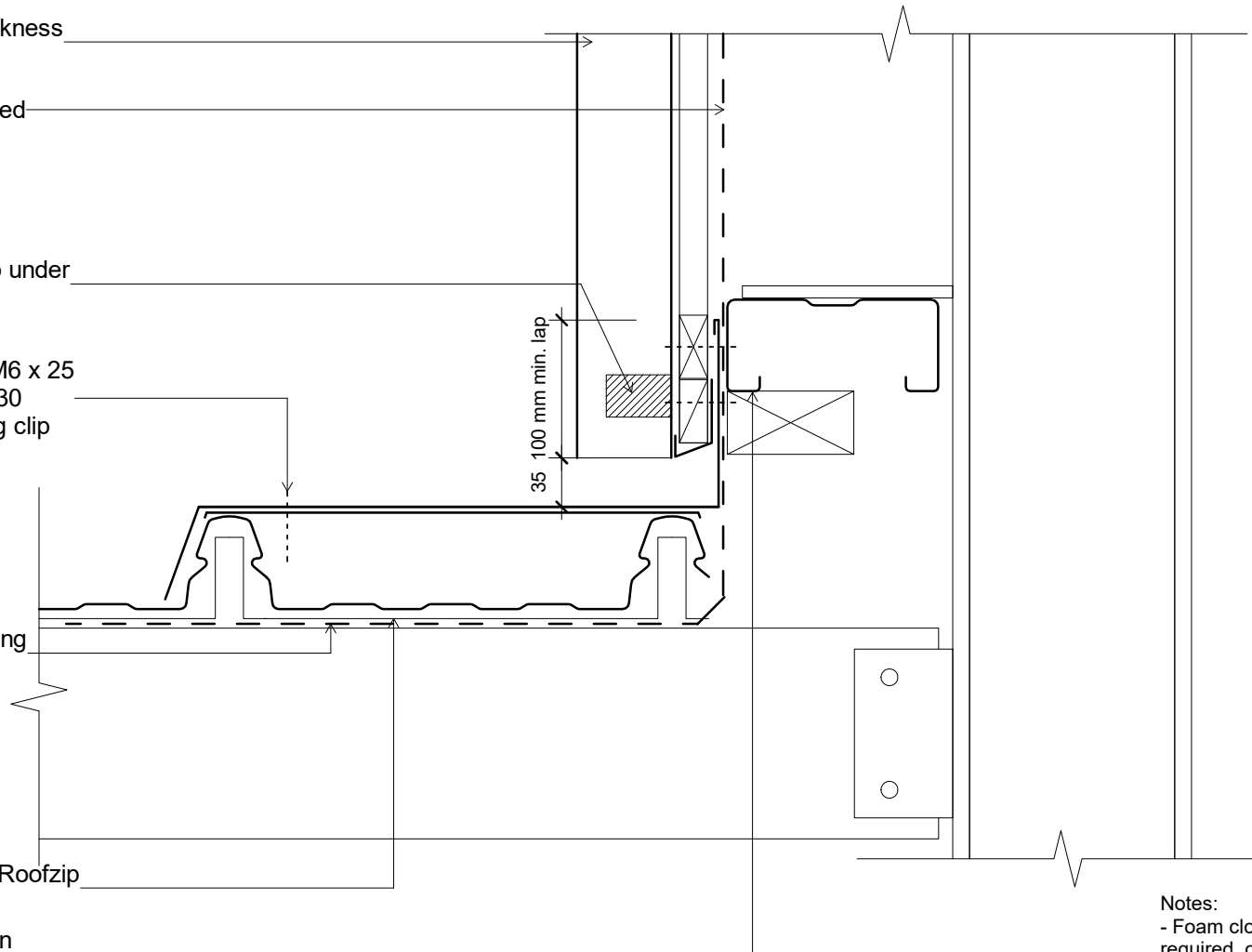
Profiled foam closure strip under cladding

Apron flashing fixed with M6 x 25 Roofzip to a Dimond DD630 thermal expansion flashing clip

Roofing underlay and netting shown dashed

Continuous clip fixed with Roofzip M6 x 25 Roofzip

Dimond hi-span steel purlin (specify size)



Apron flashing termination.

Notes:

- Foam closure strip only required if bird or vermin proofing is required, or if in a high wind area, there is a risk of windblown moisture entering the building.
- These details are suitably fixed to allow for a theoretical thermal movement of up to 10mm. For thermal movement greater than this a clipping system should be considered.

Original Size A4



Dimondek 630 Roof

Wall - Roof Junction (90 deg) on Cavity

File: dim_dd6_1051 Wall - Roof Junction (90 deg) on Cavity	
Issue: 01	Reference dim_dd6_1051
Scale: 1 : 5	
Date: 28 November 2018	