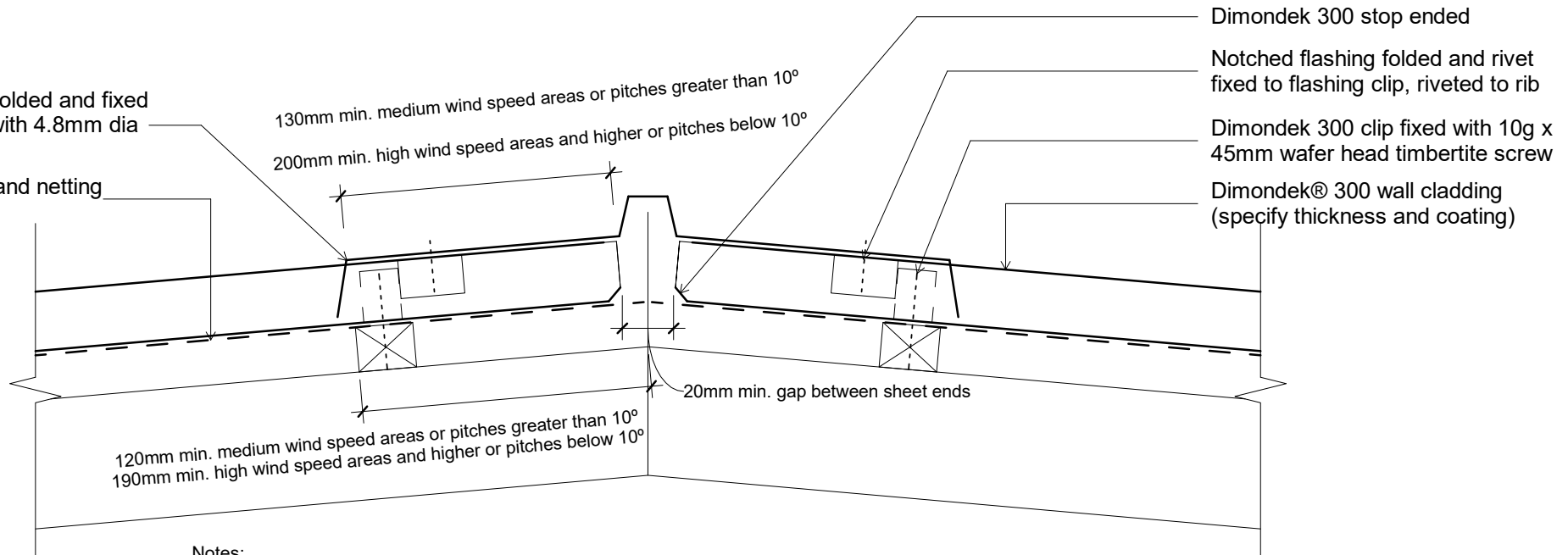


Notched flashing folded and fixed to roof profile rib with 4.8mm dia Aluminium Rivets  
Roofing underlay and netting shown dashed



**Notes:**

- Foam closure strip only required if bird or vermin proofing is required, or if in a high wind area, there is a risk of windblown moisture entering the building.
- These details are suitably fixed to allow for a theoretical thermal movement of up to 10mm. For thermal movement greater than this a clipping system should be considered.

Original Size A4



# Dimondek 300

## Roof

### Ridge Detail

File:	
Issue:	01
Scale:	As indicated
Date:	28 November 2018
Reference:	dim_dd3_1090