

Dimond Brownbuilt 900 wall cladding (specify thickness and coating)

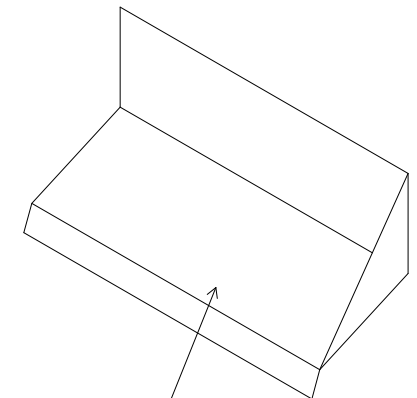
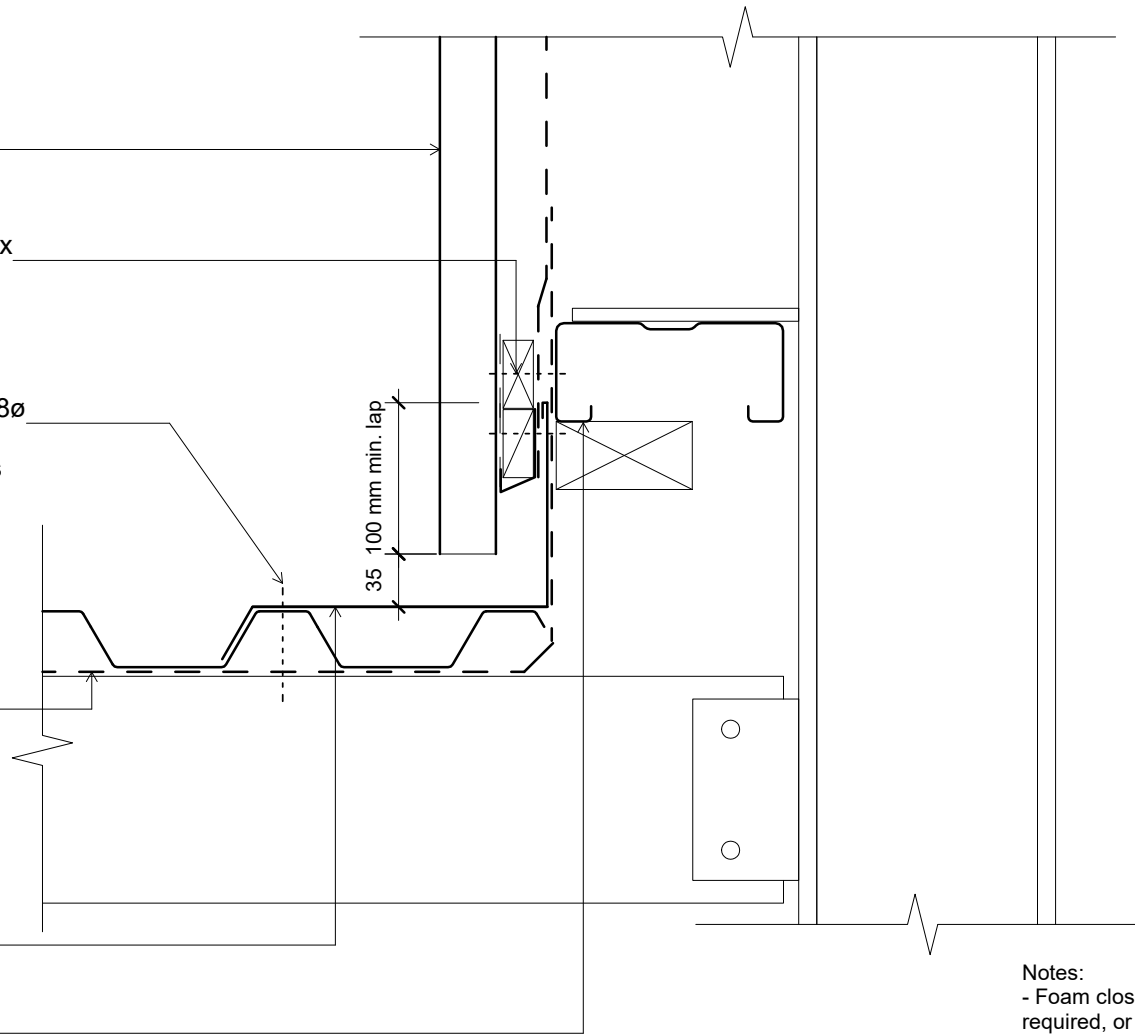
Climaseal coated self drilling M6 x 50 Roofzip fixed every pan

Apron flashing fixed to roof with 14g x 75mm T17 for timber or 4.8Ø aluminium rivets for steel at 1000mm centers between purlins

Roofing underlay and netting shown dashed

Purpose made apron flashing

Dimond hi-span steel purlin (specify size)



Apron stop end flashing

Notes:

- Foam closure strip only required if bird or vermin proofing is required, or if in a high wind area, there is a risk of windblown moisture entering the building.
- These details are suitably fixed to allow for a theoretical thermal movement of up to 10mm. For thermal movement greater than this a clipping system should be considered.
- Where CCA or ACQ treated cavity battens are installed a barrier between the batten and the cladding is required.

Original Size A4



Brownbuilt 900 Roof

Wall - Roof Junction (90 deg) on Cavity

File:	
Issue: 04	Reference
Scale: 1 : 5	dim_bb9_1051
Date: 05 October 2018	