

## PRODUCT DESCRIPTION

Eurotray® Angle Seam offers a slightly bolder look. This member of the Eurotray® family lends itself well not only as striking roofing profile -but as an exceptional wall cladding solution as well. In wall cladding situations, Angle Seam can be run both vertically and horizontally. Angle Seam can also be concave curved. (The profile does require a solid substrate underneath for support.)

Cover - Auckland = 525, Christchurch = 517, Invercargill = 525.  
Width - Auckland = 523, Christchurch = 515, Invercargill = 523

Eurotray® Angle Seam can also use Photo-Voltaic Laminate (PVL) solar power technology to generate electric power.

Eurotray® Angle Seam can be installed without the PVL, with the laminate being added onto the profile at later time if desired. Eurotray® Angle Seam represents a progressive product, paying for itself over time and is an ideal way to combat increasing energy prices by taking advantage of nature's most renewable source of energy - the sun.

\*\*The laminates are 348mm wide and available in 5.910mm and 2.585mm lengths. Lead time for the supply of laminates is 16 weeks.

## DESIGN GUIDELINES

Recommend use when:

- Roof pitch is 5° and above
- Must be installed over 12mm (min) plywood substrate.
- Max purlin spacing does not exceed wind uplift load from the Eurotray® Angle Seam load span charts
- Specify coating on steel to match the environment
- Specify fixing type and length to be used with the correct purlin material
- Ensure there is an allowance for thermal expansion
- Can be installed as a wall cladding with a substrate over vented cavity battens

## BUILDING CODE COMPLIANCE

The product will, if employed in accordance with the supplier's installation and maintenance requirements, assist with meeting the following provisions of the building code for a period of 15 years:

- Clause B2 Durability B2.3.1
- Clause C3 Fire affecting areas beyond the fire source: Buildings C3.3 (excludes Zinc material)
- Clause E2 External moisture E2.3.1, E2.3.2
- Clause F2 Hazardous building materials: Performance F2.3.1

Photo-Voltaic Laminate certification:

- UL 1703
- IEC 61646
- IEC 61730

Photo-Voltaic Laminates are sourced from a world leading supplier in the United States of America.

## EVIDENCE MEETS NZBC

Test information available from Pacific Coilcoaters and New Zealand Steel, and past history of use of long run metal roofing and cladding products in New Zealand indicate that, provided the product use and maintenance is in line with guidelines contained in the current literature reference, Dimond® Roofing long run metal roofing and wall cladding systems can be expected to meet the performance criteria in clause B2, C2, E2 and F2 of the New Zealand Building Code, for a period of not less than 15 years.

## SUPPORTING EVIDENCE

The product has and can make available the following additional evidence to support the above statements:



NZ Metal Roofing Manufacturers Association Inc. (NZMRM)  
Code of Practice



## ENVIRONMENTAL

Manufactured from coated steel produced by New Zealand Steel at Glenbrook from ironsand mined off the North Islands West coast and Zinalume® coated COLOURSTEEL® is factory painted at New Zealand Steel, Glenbrook or if it is ColorCote® it's painted at Pacific Coilcoaters Penrose New Zealand. ColorCote® MagnaFlow™ base coated steel and coating is imported from Asia, but painted at Pacific Coilcoaters in Penrose. Both New Zealand sites operate within strict environmental controls and recycle cleaning and washing water and control what is exhausted into the environment.

Dimond® Roofing recycle all steel scrap waste and offcuts which can then be remelted down and reused in other steel based products.

At the end of its useful life as a roofing profile can be recycled back by remelting down.

Aluminium is imported from overseas and painted in New Zealand at Pacific Coilcoaters.

## COATINGS & CLASSES

Manufactured using different paint coatings available from New Zealand Steel or Pacific Coilcoaters depending on the durability required for the environment the roof or wall will be installed in, in accordance with AS/NZS 2728. As a guide for areas 1m to 50m of breaking surf, use ColorCote® AlumiGard™ or plain unpainted aluminium. Sites within 50m to 100m of breaking surf COLOURSTEEL® MAXX® can be used, and then at 100m (Category 4) ColorCote® MagnaFlow™ (ZM8) can be used, beyond 200m (Category 3) then ColorCote® ZinaCore™ (ZR8) or COLOURSTEEL® ENDURA®, and beyond can use Zinalume®.

Refer to environmental literature available from Pacific Coilcoaters or New Zealand Steel or contact Dimond® Roofing on 0800 766 377.

## SPANS

Product	Material	Thickness BMT (mm)	Roofing Span Low to High Wind Zones (mm)	Roofing Span Very High to Extra High Wind Zones (mm)	Walls Span Low to High Wind Zones (mm)	Walls Span Very High to Extra High Wind Zones (mm)
			To be laid over 12mm H3.2 CD treated plywood			
Eurotray® Double Standing Seam (min. pitch 3°)	Steel (G300)	0.55	600	400	600	400
	Aluminium (H36)	0.70	600	400	600	400
	Copper	0.70	600	400	600	400
	Zinc	0.70	600	400	600	400

Spans for roofing where the serviceability wind uplift load does not exceed 1.5kPa

Spans for walls are limited by serviceability wind uplift of 2.0kPa

For more information, please refer to Dimond Roofing website [www.dimond.co.nz](http://www.dimond.co.nz)

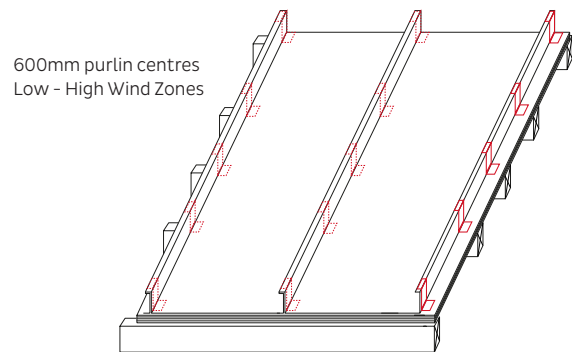
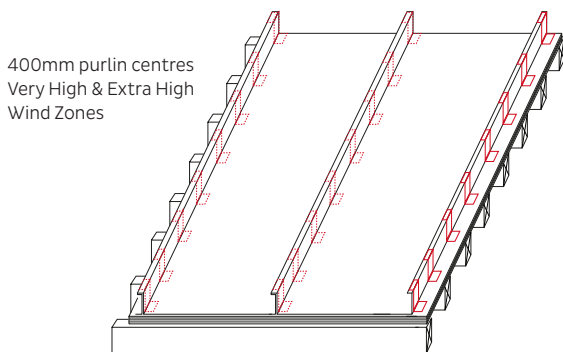
## FIXINGS

Purlin material	Clip screw fastener – 2 fixings per purlin			
	Roofing rib with standard 12mm substrate		Wall cladding over vented cavity batten (18 - 25mm thick)	
	Screw length* (mm)	Designation (mm)	Screw length (mm) over a vented cavity	Designation over a vented cavity (mm)
Timber with steel based sheet	50	Stainless steel grade 304 8g x 50mm c/sunk	65	Stainless steel grade 304 8g x 65mm wafer head
Timber with aluminium based sheet	50	Stainless steel grade 304 8g x 50mm c/sunk	65	Stainless steel grade 304 8g x 65mm wafer head
Timber with copper based sheet	50	Stainless steel grade 304 8g x 50mm c/sunk	65	Stainless steel grade 304 8g x 65mm wafer head
Timber with zinc based sheet	50	Stainless steel grade 304 8g x 50mm c/sunk	65	Stainless steel grade 304 8g x 65mm wafer head

\*If a cavity batten is used over the purlins under the substrate on a skillion roof situation, the screw length will need to be increased by at least the cavity batten thickness.

## INSTALLATION REQUIREMENTS

### Dimond Eurotray® Angle Seam Fastener Layout Options



Can be installed as a wall cladding with a substrate over vented cavity battens.

For more information, please refer to Dimond® Roofing website.

## SPECIAL CONDITIONS

Manufactured in Auckland, Christchurch and Invercargill.