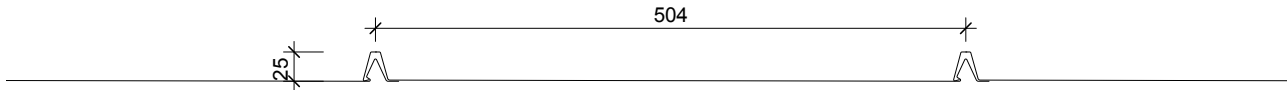


## DIMOND EUROTRAY® LITE PROFILE INFORMATION



\*\*Photovoltaic Laminate please refer to note

Cover (mm)	504mm (FIXED)
Sheet width (mm)	528mm
Minimum Pitch	8° (approx. 1:7)

All dimensions given are nominal

### Sheet Tolerances

Sheet width:  $\pm 5$ mm

Sheet width for aluminium +0, -15mm. If sheet cover widths are critical, advise Dimond® Roofing at time of order.

Sheet length: +10, - 0mm. For horizontal wall cladding where notified at time of order of intended use, tighter tolerances can be achieved +3, -0.

Material Options	Steel
Thickness (BMT) mm	0.55
Nominal weight/lineal metre (kg/m)	2.77
Drape curved roof - min. radius (m)	n/a
Substrate required	Yes
Machine curved - roof min. radius (mm)	n/a
Drip edge flashing recommended CAD detail R-002-02	Yes

Roll-forming facilities at: Christchurch

Curving facilities: n/a

Sheet lengths: Eurotray® is custom run to order. Where long sheets are used, consideration must be given to:

- Special transportation licences
- Should be run on-site
- Site access for special lifting equipment
- Fixing techniques to accommodate thermal expansion

### THIS PRODUCT MUST BE INSTALLED BY A CERTIFIED & APPROVED ROOFINGSMITH

#### \*\*NOTE

Photovoltaic laminates (PVL's) can be installed on to this profile at an additional cost when the cladding is completed and other trades have finished or it can be installed at a later date.

Laminates are 348mm wide and available in 5.910mm and 2.585mm lengths. Lead time of 16 weeks

Laminates cannot be installed on raking sections of roofs

Consult with Dimond® Roofing 0800 Dimond (0800 346 663) for further information

This profile is only available in a fixed cover width, and cannot be manually folded. When the profile is used as wall cladding, careful attention is required to sheet set-out and sheet width tolerances to ensure the sheet modules align to wall openings.

**OIL CANNING:** Oil Canning is the visible waviness in the flat areas of metal roofing and walling. Oil canning produces an aesthetic effect inherent in standing seam tray profiles and profiles/flashings with wide flat elements. It does not cause detriment to product performance.

Oil canning can occur during the forming and installation processes and during thermal expansion of the roof sheeting during its life cycle. The effect can be more or less pronounced depending on **differing light and sun angle conditions and the coating gloss levels.**

For fully supported standing seam tray profiles, oil canning can be reduced by the use of backer rods under the tray and/or the use of vented roof underlay. There are several options to reduce the oil canning effect in profiles/flashings –increasing the thickness of the material Include the use of swages in wide flat elements Limiting flat elements to less than 150mm width. For further information, please refer to the NZ Metal Roof and Wall Cladding Code of Practice, Section 12.3.

### Eurotray® Lite Design

Eurotray® Lite roof cladding must always be installed over a plywood (12mm minimum) substrate with a moisture content of less than 18% and made wind tight, with purlin supports underneath at 600mm centres in low to high wind zones and 400mm centres for very high and extra high wind zones. 8 gauge x 40mm countersunk stainless steel screws at 150mm centres around

the panel edged and 200mm centres on the intermediate supports. The fasteners should be no closer than 10mm to the edge.

A 3mm expansion gap be should be provided between the sheets. All joints should be staggered and taped over before placing underlay, Dimond® Roofing recommend the use of vented type underlay such as tyvek metal or Covertek 407 with drainage mat. This allows added air-flow between the underside of the tray and substrate, it also helps to reduce oil-canning in the tray.

Fasteners that are used to secure Eurotray® down as a roof cladding must penetrate through the substrate and into the purlin a minimum of 30mm for timber and 6mm for steel purlins. For wall cladding the fasteners must be long enough to pass through the substrate, cavity batten and into the main frame by 30mm for timber and 6mm for steel.

Fixing Requirement		
Purlin or frame material	Roof (standard 12mm Substrate)	Wall Standard 12mm substrate over vented cavity batten (18-25mm thick)
	Base material	Base material
	Steel only	Steel only
Timber	Class 4 10g x 45mm wafer head	Class 4 10g x 45mm wafer head
Steel	Class 4 - 10g x 40mm #2sq/drive wingtec	Class 4 - 10g x 60mm #2sq/drive wingtec

**Design**

Fasteners must be fixed closer together on the periphery edges of all roofs in areas of High to Extra High Wind Zones.

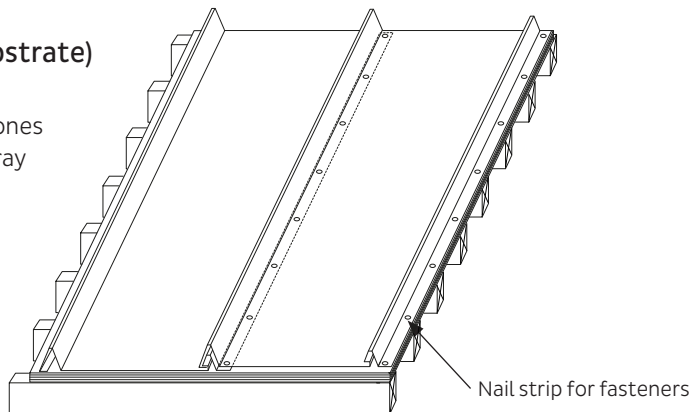
Unlike profiled metal cladding, the point load imposed on a fully supported cladding is supported by the substrate underneath.

Clip fixing table	
Wind Zone	Purlin Centre (mm)
Low to High	600
Very High to Extra High	400

Minimum pitch for Eurotray® Lite is 8 degrees.

**Eurotray® Lite (over substrate)**

400mm purlin centres  
Very high/Extra High Wind Zones  
Nail strip formed as part of tray



**Eurotray® Lite (over substrate)**

600mm purlin centres  
Low - High Wind Zones  
Nail strip formed as part of tray

