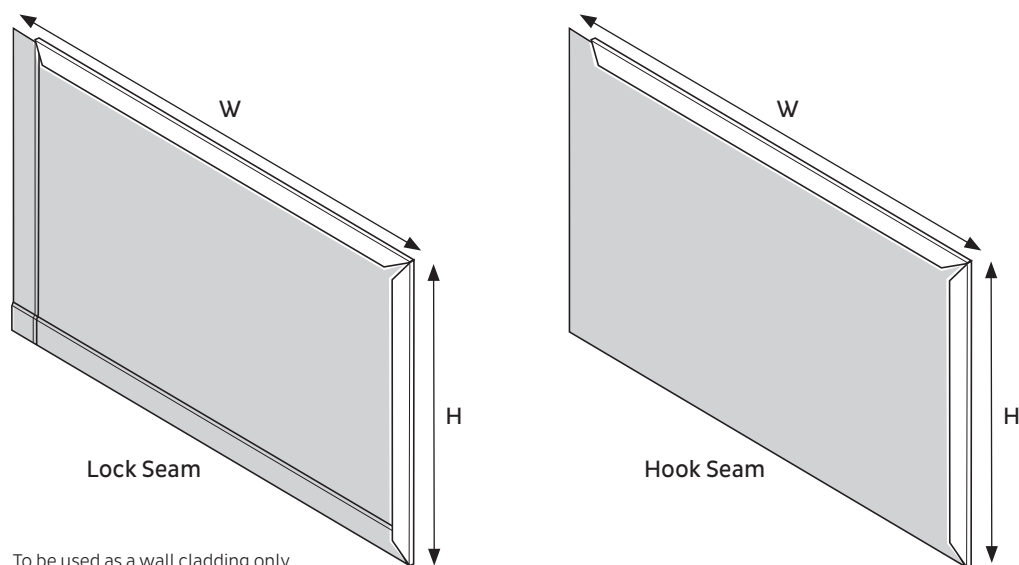


DIMOND EURO-PANEL® PROFILE INFORMATION



To be used as a wall cladding only

Panel Tolerances

Cover (mm) H = 600 x W = 1125

Panel length \pm 5mm

Panel Height \pm 5mm

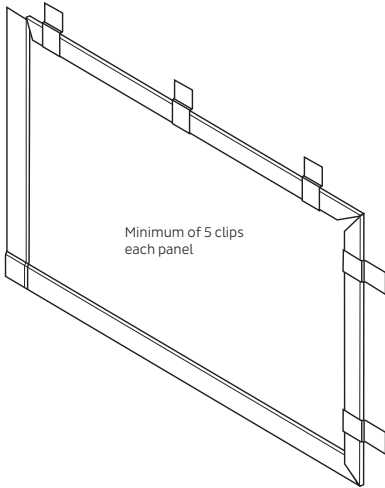
Dimensions given are nominal

Material Options	Copper	Zinc
Thickness (BMT) mm	0.7	0.7
Nominal weight/lineal metre (kg/m)	6.78	3.02

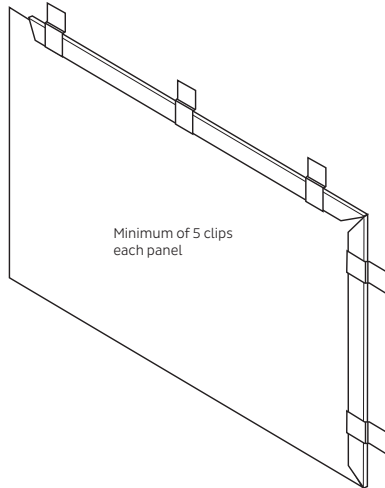
Euro-Panel® Fastener Designation

Over cavity batten, with a 12mm plywood substrate (18-25mm thick)		
Framing material	Copper	Zinc
Timber	Type 17 Stainless steel grade 304 8g x 20mm c/sunk or 2.5mm x 25mm grade 304 stainless steel annular grooved nails	Type 17 Stainless steel grade 304 8g x 20mm c/sunk or 2.5mm x 25mm grade 304 stainless steel annular grooved nails
Fixing Clips	The maximum clip fixing centre is 500mm, with clip spacing's from the corners no greater than 65mm	
Lock Seam Width	Standard seam width is 30mm, but can be made to 40mm	

Euro-Panel® Lock Seam
(swages around two edges)



Euro-Panel® Hook Seam



THIS PRODUCT MUST BE INSTALLED BY A CERTIFIED & APPROVED ROOFINGSMITH

EURO-PANEL® LIMIT STATE LOAD/SPAN CAPACITY CHART

(span in mm, distributed ultimate load in kPa)

Serviceability Category Wall

	Fixings per Panel	Fixings per Clip	Ultimate (kPa)
Zinc 0.70mm	5	2	2.65
Copper 0.70mm	5	2	4.15

NOTES

- Loads given are limited to a maximum of 4.15kPa. If design requirements exceed this limit, Contact Dimond Roofing for specific advice.
- Design Criteria for Limit State Capacities**
 - Ultimate Limited State**
No pull through of fixings or fasteners withdrawal resulting in sheet detachment due to wind up-lift (outward) loads
- Wind Pressure Guide**
As a guide for non-specific design the following S.L.S. design loads in accordance with the MRM Roofing Code of Practice can be used for buildings less than 10m high, otherwise AS/NZS 1170.2 should be used
Low wind zone = 0.68kPa, Medium wind zone = 0.93kPa, High wind zone = 1.32kPa, Very high wind zone = 1.72kPa and Extra high wind zone = 2.09kPa.

Euro-Panel® Design

Euro-Panel® wall cladding must always be installed over a plywood (12mm minimum) substrate with a moisture content of less than 18% and made wind tight, with purlin supports underneath at 600mm centres in low to high wind zones and 400mm centres for very high and extra high wind zones. Avoid contact between Zinc and Bitumous papers. Use covertek 403.

8g x 40mm countersunk stainless steel screws at 150mm centres around the panel edged and 200mm centres on the intermediate supports. The fasteners should be no closer than 10mm to the edge.

A 3mm expansion gap should be provided between the sheets. All joints should be staggered and taped over before placing underlay.

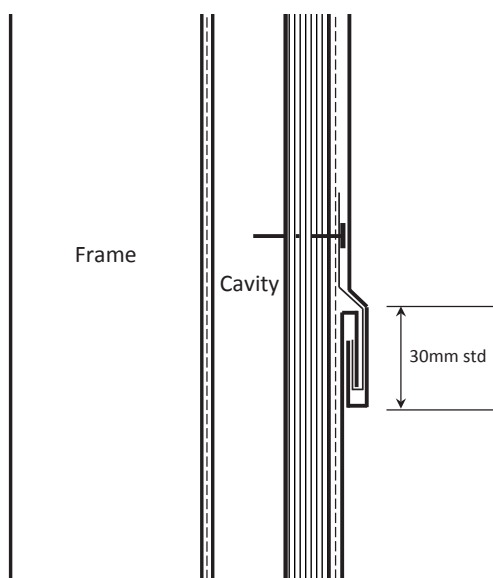
Euro-Panel® can have varying length panels up to 1125mm for Lock seam but can be longer for Hook Seam panels please contact the local Dimond Roofing branch for further information.

Euro-Panel® can be laid in pattern or randomly depending on the required finish. Most often the panel will be installed in a brick-block pattern.

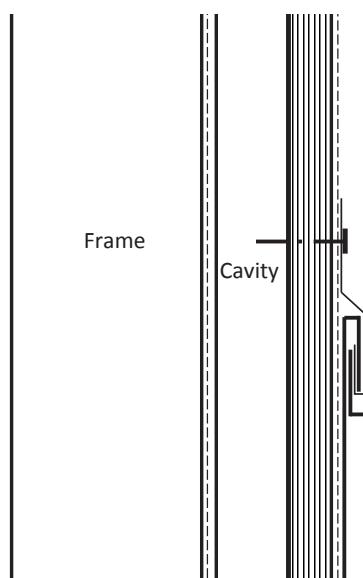
The height of the panel must remain the same for each row or course. Concealed 'stainless steel' or copper clips connect the Euro-Panel® to the substrate, and the seam width of the Lock Seam panel can be adjusted if required.

Types of Panel

Euro-Panel® Lock Seam



Euro-Panel® Hook Seam



Production facility at: Invercargill

NOTES

Coated steel based materials are not recommended for these profiles, due to the high likelihood of scratching, which could lead to corrosive issues at a later date. Flashing and jointing details when using Copper or Zinc materials are required to be solder, silicone sealants are not to be used on these materials.